



Chipsmall Limited consists of a professional team with an average of over 10 year of expertise in the distribution of electronic components. Based in Hongkong, we have already established firm and mutual-benefit business relationships with customers from,Europe,America and south Asia,supplying obsolete and hard-to-find components to meet their specific needs.

With the principle of “Quality Parts,Customers Priority,Honest Operation,and Considerate Service”,our business mainly focus on the distribution of electronic components. Line cards we deal with include Microchip,ALPS,ROHM,Xilinx,Pulse,ON,Everlight and Freescale. Main products comprise IC,Modules,Potentiometer,IC Socket,Relay,Connector.Our parts cover such applications as commercial,industrial, and automotives areas.

We are looking forward to setting up business relationship with you and hope to provide you with the best service and solution. Let us make a better world for our industry!



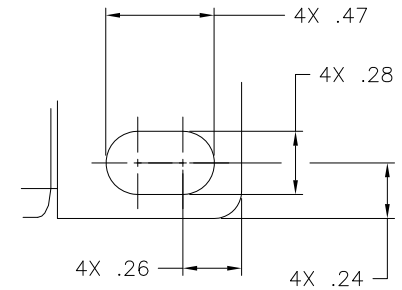
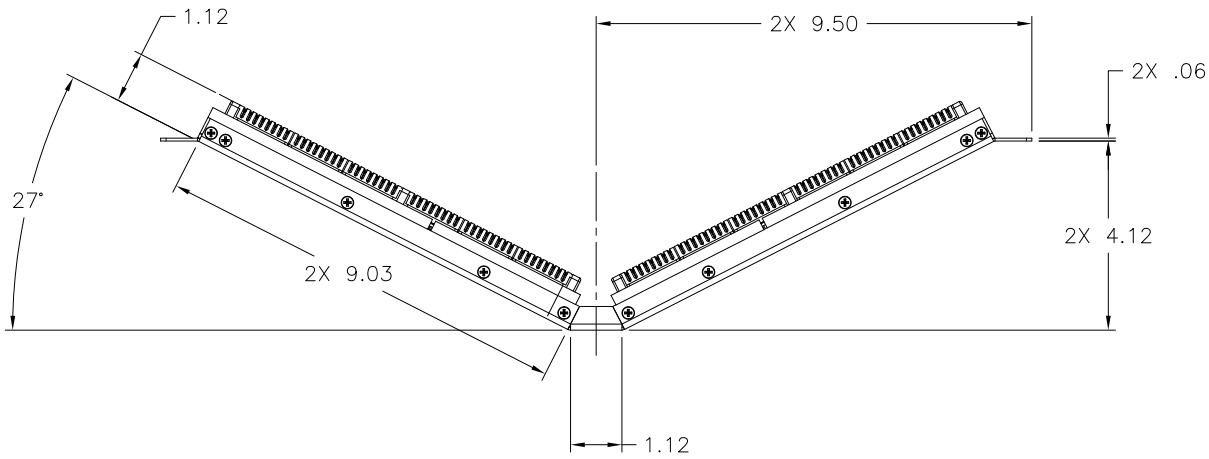
Contact us

Tel: +86-755-8981 8866 Fax: +86-755-8427 6832

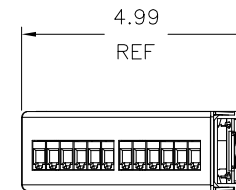
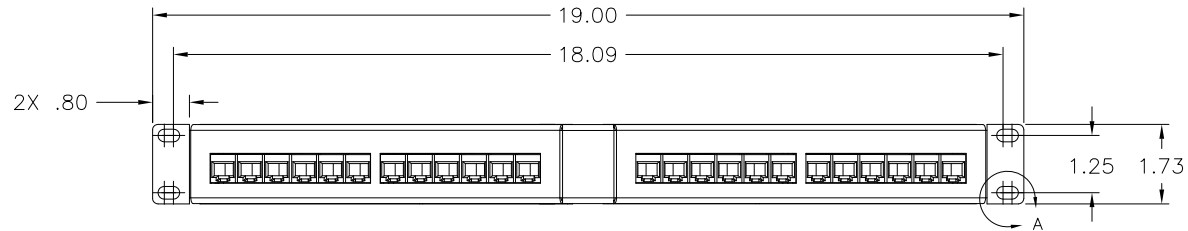
Email & Skype: info@chipsmall.com Web: www.chipsmall.com

Address: A1208, Overseas Decoration Building, #122 Zhenhua RD., Futian, Shenzhen, China





DETAIL A
SCALE 1:1



PRODUCT CODE DESCRIPTION

APP110C_24
 └── CAT5e or CAT6

INVENTORS	HellermanTyton		
	ALL PROPRIETARY RIGHTS IN THE SUBJECT MATTER SHOWN ON THIS DRAWING ARE EXCLUSIVE PROPERTY OF HELLERMANNTYTON		
	name	date	city, state

NOTES

REVISIONS	RD level	01
	AW date	02/20/14
	SI by	AAC
	IG ECN #	012573
	ON part level	A

DIMENSIONS	.XXXX = ±.0005
	.XXX = ±.005
	.XX = ±.01
	.X = ±.03
	∠ = ± 0.5°
unless otherwise specified	
units	inches

PART	number	APP110C_24	phase	PRODUCTION
	name	ANGLED PATCH PANEL FOR CAT5E OR CAT6 24 PORT 1U		
	material	STEEL - BLACK POWDER COAT		

DRAWING	revision	C	revision	0	CAD	ACAD	scale	.5X	
	computer file number	MI\CST_3014009_01							
	previous number								
	drawn	A.A.C.	checked	K.A.C.	approved				
	date	02/20/14	date	02/20/14	approved				
type	CUSTOMER			sheet	1 of 1				
number	MI3014009CST								