



Chipsmall Limited consists of a professional team with an average of over 10 year of expertise in the distribution of electronic components. Based in Hongkong, we have already established firm and mutual-benefit business relationships with customers from,Europe,America and south Asia,supplying obsolete and hard-to-find components to meet their specific needs.

With the principle of "Quality Parts,Customers Priority,Honest Operation,and Considerate Service",our business mainly focus on the distribution of electronic components. Line cards we deal with include Microchip,ALPS,ROHM,Xilinx,Pulse,ON,Everlight and Freescale. Main products comprise IC,Modules,Potentiometer,IC Socket,Relay,Connector.Our parts cover such applications as commercial,industrial, and automotives areas.

We are looking forward to setting up business relationship with you and hope to provide you with the best service and solution. Let us make a better world for our industry!



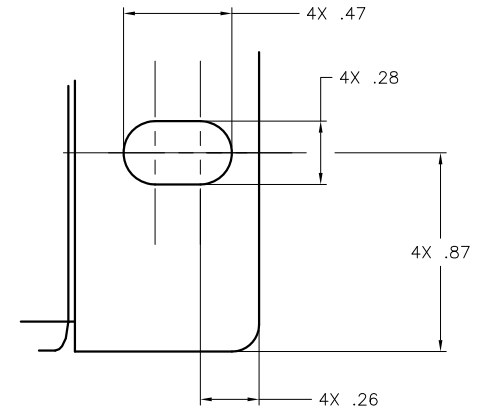
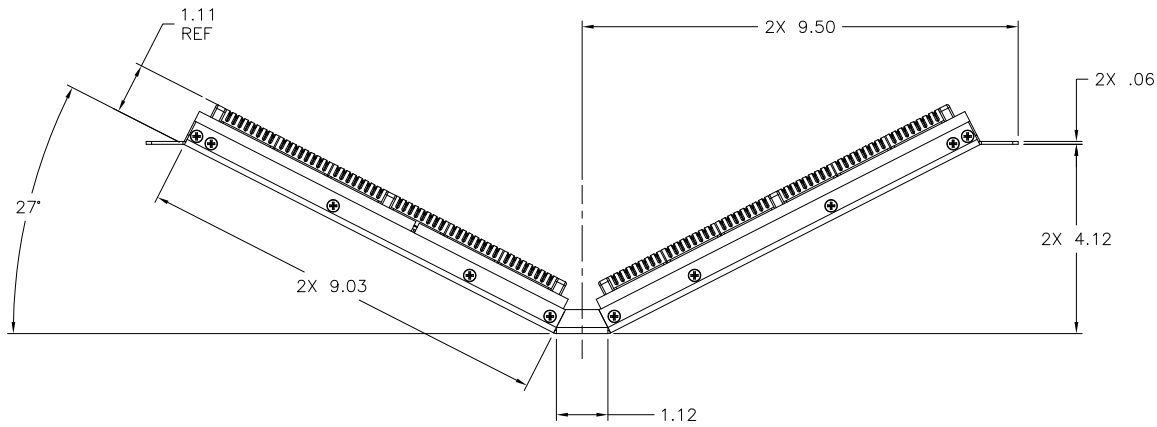
Contact us

Tel: +86-755-8981 8866 Fax: +86-755-8427 6832

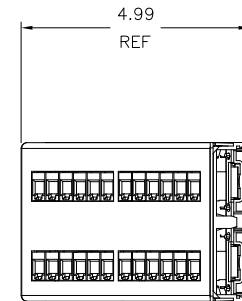
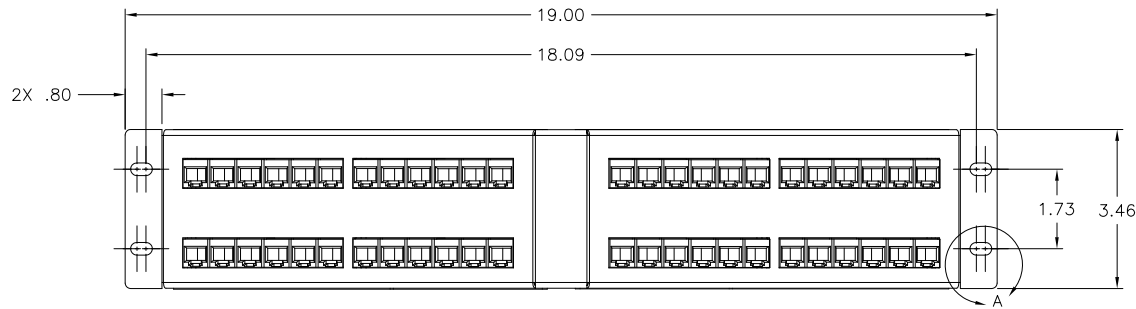
Email & Skype: info@chipsmall.com Web: www.chipsmall.com

Address: A1208, Overseas Decoration Building, #122 Zhenhua RD., Futian, Shenzhen, China





DETAIL A
SCALE 1:1



PRODUCT CODE DESCRIPTION

APP110C_48
 └── CAT5e or CAT6

REDUCED
NO SCALE

INVENTORS	HellermanTyton		
	ALL PROPRIETARY RIGHTS IN THE SUBJECT MATTER SHOWN ON THIS DRAWING ARE EXCLUSIVE PROPERTY OF HELLERMANNTYTON		
	name	date	city, state

NOTES

REVISIONS	level	01
	date	02/19/14
	by	AAC
	ECN #	012573
	part level	A

DIMENSIONS	.XXXX = ±.0005
	.XXX = ±.005
	.XX = ±.01
	.X = ±.03
	∠ = ± 0.5° unless otherwise specified
units	inches

PART	number	APP110C_48	phase	PRODUCTION
	name	ANGLED UNIVERSAL PATCH PANEL FOR CAT5e or CAT6 48 PORT 2U		
	material	STEEL - BLACK POWDER COAT		

DRAWING	robot C version 0	CAD	ACAD	scale	.5X	
	computer file number	MI\CST_3014008_01				
	previous number					
	drawn	A.A.C.	checked	K.A.C.	approved	
	date	02/19/14	date	02/19/14		
type	CUSTOMER			sheet	1 of 1	
number	MI3014008CST					