



Chipsmall Limited consists of a professional team with an average of over 10 year of expertise in the distribution of electronic components. Based in Hongkong, we have already established firm and mutual-benefit business relationships with customers from,Europe,America and south Asia,supplying obsolete and hard-to-find components to meet their specific needs.

With the principle of "Quality Parts,Customers Priority,Honest Operation,and Considerate Service",our business mainly focus on the distribution of electronic components. Line cards we deal with include Microchip,ALPS,ROHM,Xilinx,Pulse,ON,Everlight and Freescale. Main products comprise IC,Modules,Potentiometer,IC Socket,Relay,Connector.Our parts cover such applications as commercial,industrial, and automotives areas.

We are looking forward to setting up business relationship with you and hope to provide you with the best service and solution. Let us make a better world for our industry!



## Contact us

Tel: +86-755-8981 8866 Fax: +86-755-8427 6832

Email & Skype: info@chipsmall.com Web: www.chipsmall.com

Address: A1208, Overseas Decoration Building, #122 Zhenhua RD., Futian, Shenzhen, China



# Product Data Sheet

## Amphenol® Industrial Amphe-PPM Quick Disconnect Connectors

No. 195

The Amphe-PPM is a rapid mate, push/pull connector which provides positive mating in limited space and ease of use. The design features of the Amphe-PPM allow consumers to save cost in space savings and in installation.

Amphe-PPM, the high performance signal and power interconnection solution, is ideally suited to many commercial and industrial applications including, but not limited to:

- Medical Equipment
- Instrumentation/Test & Measurement
- Communication Equipment

The Amphe-PPM continues Amphenol's commitment of providing new products to meet customer and market demands for new emerging technologies and advancing applications.



### Features and Benefits of Amphe-PPM Connectors

- Push/pull rapid mate connector system - high performance of 500 + mating cycles
- Sealed or non-sealed connector versions -  
NON-SEALED VERSION:
  - Available in 12mm and 16mm shell sizes
  - From 2 up to 12 contacts of 1.0mm to 2.5mm diameter (see back side for insert arrangement charts)
  - Jam nut receptacle and straight plug are available with a rubber boot or standard cable clamp rear accessory
  - Non-reflective nickel or black epoxy finish
  - IP55 rated
- SEALED VERSION:
  - Available in 10mm, 12mm, 16mm and 18mm shell sizes
  - From 2 up to 14 contacts of 0.8mm to 2.5mm diameter (see back side for insert arrangement charts)
  - Jam nut receptacle and straight plug come with jacketed cable PG sealing gland
  - Non-reflective nickel finish only
  - IP67 rated
- Three shell styles available: box mount and jam nut receptacles and a straight plug
- Designed to IEC 61984
- Inserts have a UL94V-0 flammability rating
- Operating temperature: -40° to 100°C
- Solder contacts standard, crimp by special request
- Non-magnetic product standard

**Notice:** Specifications are subject to change without notice. Contact your nearest Amphenol Corporation Sales Office for the latest specifications. All statements, information and data given herein are believed to be accurate and reliable but are presented without guarantee, warranty, or responsibility of any kind, expressed or implied. Statements or suggestions concerning possible use of our products are made without representation or warranty that any such use is free of patent infringement and are not recommendations to infringe any patent. The user should assume that all safety measures are indicated or that other measures may not be required. Specifications are typical and may not apply to all connectors.

AMPHENOL is a registered trademark of Amphenol Corporation.

©2006 Amphenol Corporation

# Amphenol

Printed in U.S.A. 4/2006

# HOW TO ORDER

## Amphe-PPM Sealed Connectors

**APS** \_\_\_\_\_  
 designates Amphe-PPM Sealed Series Connectors

**D** \_\_\_\_\_  
 Shell Size: \_\_\_\_\_  
 C ..... designates 10mm shell size  
 D ..... designates 12mm shell size  
 E ..... designates 16mm shell size  
 F ..... designates 18mm shell size

**S** \_\_\_\_\_  
 Contact Type: \_\_\_\_\_  
 P ..... designates pin contacts  
 S ..... designates socket contacts

**A** \_\_\_\_\_  
 Insert Arrangement Designator \_\_\_\_\_  
 See Insert Arrangement Tables 1, 2, 3, 4

**6** \_\_\_\_\_  
 Sealing Range:

Series	Diameters in mm			
	E1		E2	
C	N/A	N/A	3 - 6.5	PG7
D	3 - 6.5	PG7	4 - 8	PG9
E	4 - 8	PG9	7 - 12	PG13.5
F	7 - 12	PG13.5	10 - 14	PG16

**E1** \_\_\_\_\_  
 Shell Style:  
 2 ..... designates square flange receptacle  
 6 ..... designates straight plug  
 7 ..... designates jam nut receptacle

**Table 1**  
Shell Size "C" 10mm

Insert Arrangement	Contact Diameter (mm)	No. of Contacts
A	1	2
B	1	3
C	0.8	4
D	0.8	5

**Table 2**  
Shell Size "D" 12mm

Insert Arrangement	Contact Diameter (mm)	No. of Contacts
A	1.6	2
B	1	3
C	1	4
D	1	5
E	1	6
F	1	7

**Table 3**  
Shell Size "E" 16mm

Insert Arrangement	Contact Diameter (mm)	No. of Contacts
A	1.5	2
B	2.5	2
C	1	3
D	1.5	3
E	1	4
F	1.5	4
G	1	5
H	1	7
I	1	9
J	1	12

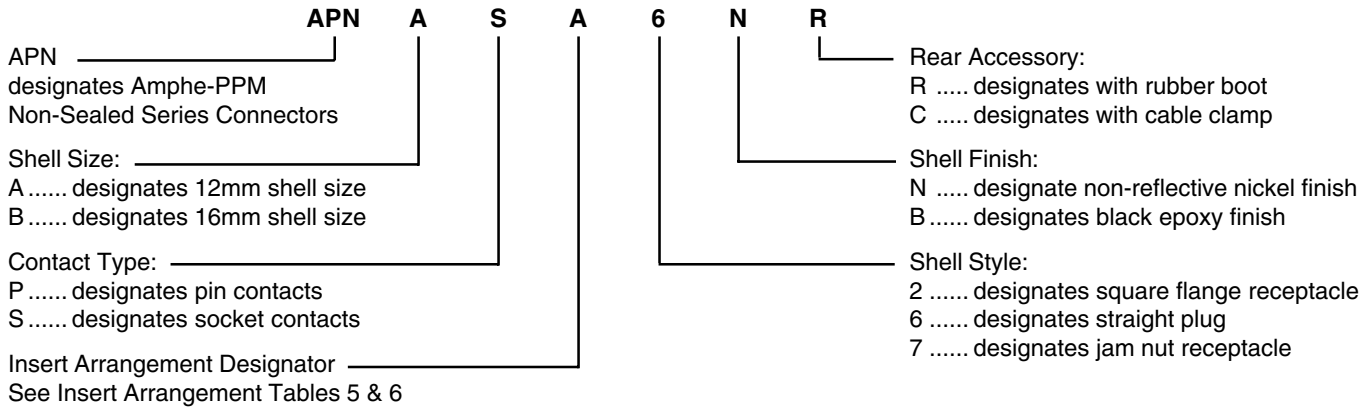
**Table 4**  
Shell Size "F" 18mm

Insert Arrangement	Contact Diameter (mm)	No. of Contacts
A	2.5	3
B	1.5	5
C	1.5 (3 contacts), 1 (5 contacts)	8
D	1	5



# HOW TO ORDER

## Amphe-PPM Non-Sealed Connectors



**Table 5**  
Shell Size "A" 12mm

Insert Arrangement	Contact Diameter (mm)	No. of Contacts
A	1.6	2
B	1	3
C	1	4
D	1	5
E	1	6
F	1	7

**Table 6**  
Shell Size "B" 16mm

Insert Arrangement	Contact Diameter (mm)	No. of Contacts
A	1.5	2
B	2.5	2
C	1	3
D	1.5	3
E	1	4
F	1.5	4
G	1	5
H	1	7
I	1	9
J	1	12

For additional information on the Amphe-PPM connectors consult Amphenol Industrial Operations.

For further information on your individual application requirements, contact:

Amphenol Corporation  
Amphenol Industrial Operations  
40-60 Delaware Avenue  
Sidney, NY 13838-1395  
Phone: 1-607-563-5011 Fax: 1-607-563-5351  
Internet: [www.amphenol-industrial.com](http://www.amphenol-industrial.com)