



Chipsmall Limited consists of a professional team with an average of over 10 year of expertise in the distribution of electronic components. Based in Hongkong, we have already established firm and mutual-benefit business relationships with customers from,Europe,America and south Asia,supplying obsolete and hard-to-find components to meet their specific needs.

With the principle of “Quality Parts,Customers Priority,Honest Operation,and Considerate Service”,our business mainly focus on the distribution of electronic components. Line cards we deal with include Microchip,ALPS,ROHM,Xilinx,Pulse,ON,Everlight and Freescale. Main products comprise IC,Modules,Potentiometer,IC Socket,Relay,Connector.Our parts cover such applications as commercial,industrial, and automotives areas.

We are looking forward to setting up business relationship with you and hope to provide you with the best service and solution. Let us make a better world for our industry!



## Contact us

Tel: +86-755-8981 8866 Fax: +86-755-8427 6832

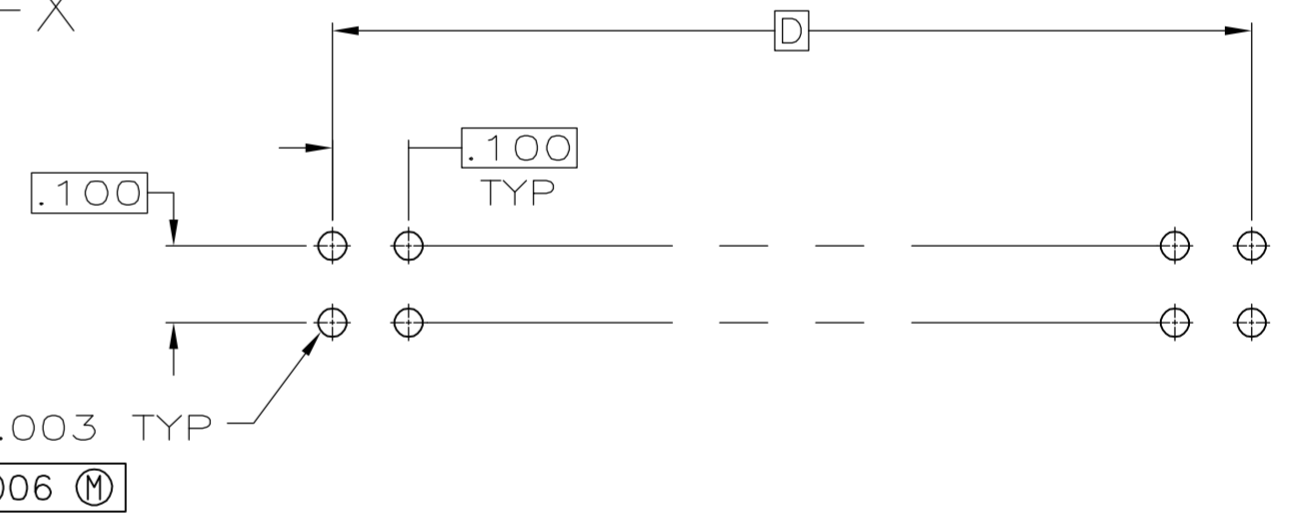
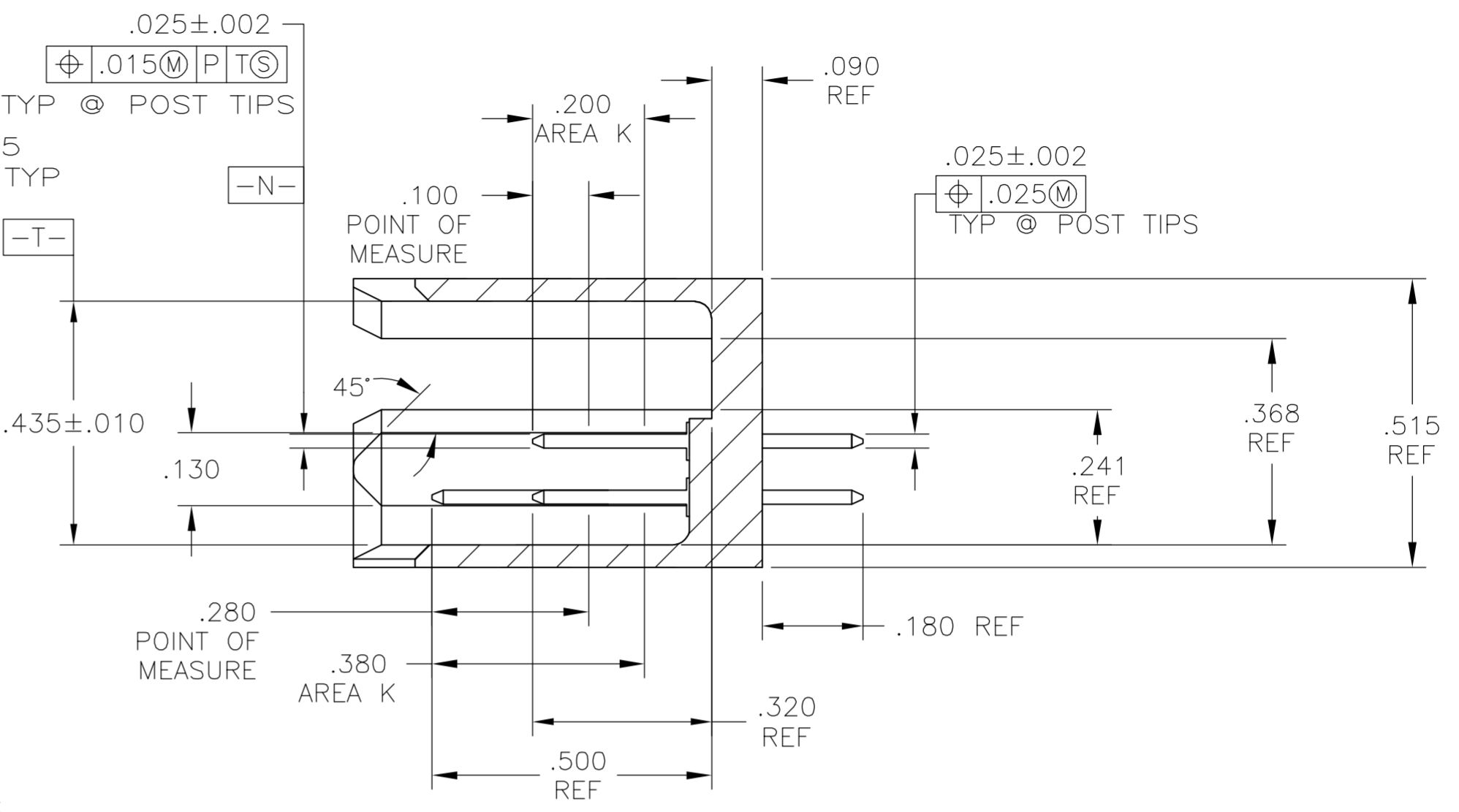
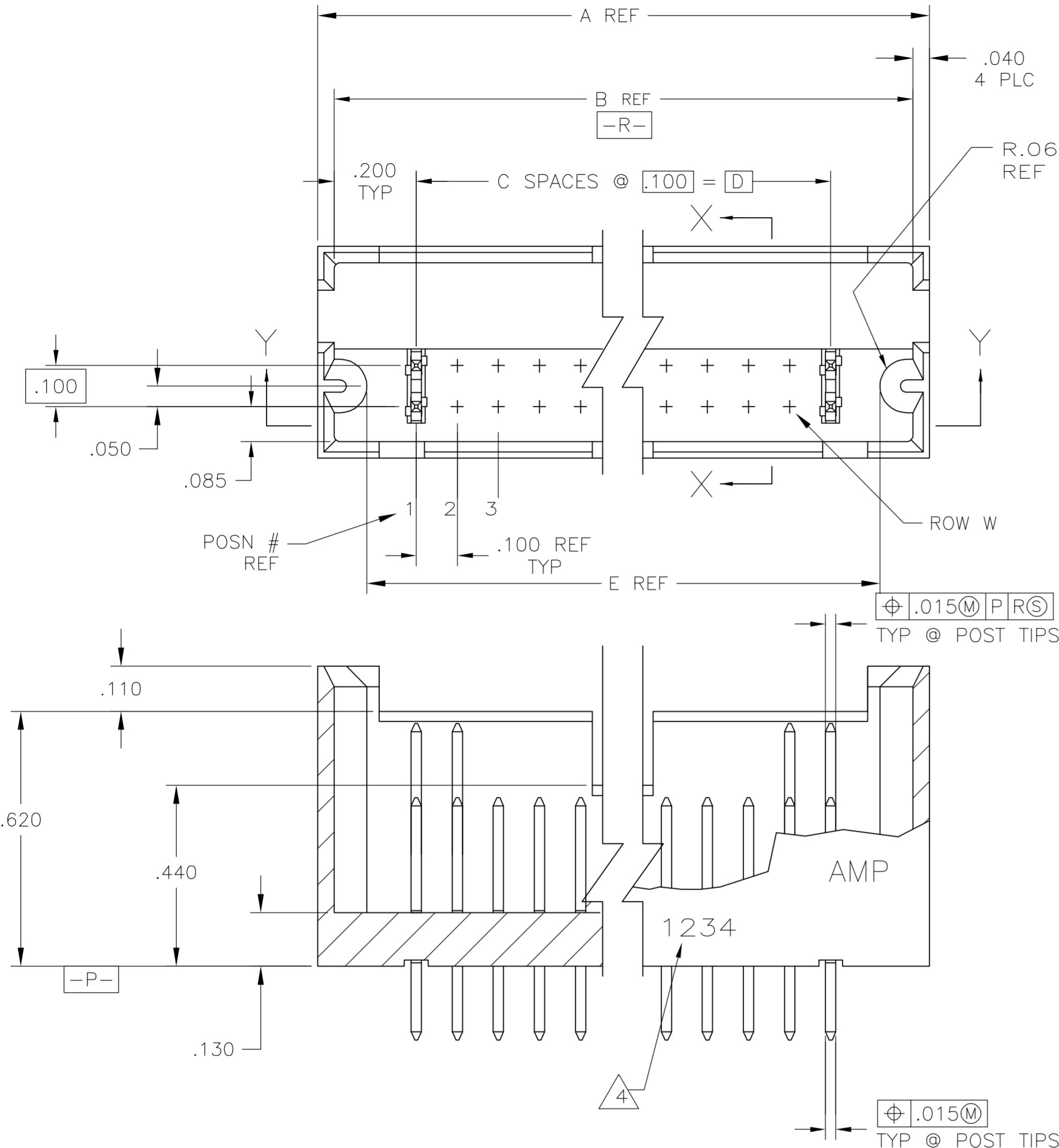
Email & Skype: info@chipsmall.com Web: www.chipsmall.com

Address: A1208, Overseas Decoration Building, #122 Zhenhua RD., Futian, Shenzhen, China



THIS DRAWING IS UNPUBLISHED. RELEASED FOR PUBLICATION  
 © COPYRIGHT BY TYCO ELECTRONICS CORPORATION. ALL RIGHTS RESERVED.

LOC		DIST		REVISIONS			
AD	00	P	LTR	DESCRIPTION	DATE	DWN	APVD
		K1		ECO-05-16253	01FEB06	MB	JO



- 1 MATL: GLASS FILLED NYLON  
 COLOR: BLACK
- 2 POST MATL: PHOSPHOR BRONZE
- 3 DUPLEX PLATED .000030 GOLD ON CONTACT AREA K,  
 .000010 - .000200 BRIGHT TIN LEAD ON SOLDER  
 LEADS, ALL OVER .000050 NICKEL
- 4 RECESSED DATE CODE & CSA LOGO
- 5 DUPLEX PLATED .000030 GOLD ON CONTACT AREA K,  
 .000010 - .000200 MATTE TIN ON SOLDER LEADS, ALL  
 OVER .000050 NICKEL
- 6 ROHS 2002/95/EC COMPLIANT.

SECTION Y-Y

	5	1,30	3,140	2,900	29	3,300	3,380	60	5-535552-5
OBSOLETE	3	1,35	3,640	3,400	34	3,800	3,880	70	535552-6
	3	1,30	3,140	2,900	29	3,300	3,380	60	535552-5
OBSOLETE	3	2,4,30	3,140	2,900	29	3,300	3,380	60	535552-4
OBSOLETE	3	1,2,6,7	.840	.600	6	1,000	1,080	14	535552-3
OBSOLETE	3	1-4, 37-40	4,140	3,900	39	4,300	4,380	80	535552-2
OBSOLETE	3	2	2,140	1,900	19	2,300	2,380	40	535552-1
FINISH		SELECT LOADING ROW W POST	E	D	C	B	A	NO OF POSN	PART NUMBER

THIS DRAWING IS A CONTROLLED DOCUMENT.

DWN: B. HAYMAKER 11JAN01  
 CHK: J. GESFORD 29OCT98  
 APVD: J. GESFORD 29OCT98  
 PRODUCT SPEC: J. GESFORD  
 APPLICATION SPEC: J. GESFORD

tyco Electronics  
 Tyco Electronics Corporation  
 Harrisburg, PA 17105-3608

ASSM. HDR. SHROUD, MOD II, .100x.100CL,  
 .025 SQ STANDARD POST

SIZE: A2 CAGE CODE: 00779 DRAWING NO: C=535552 RESTRICTED TO: -  
 WEIGHT: - SCALE: 4:1 SHEET: 1 of 1 REV: K1