



Chipsmall Limited consists of a professional team with an average of over 10 year of expertise in the distribution of electronic components. Based in Hongkong, we have already established firm and mutual-benefit business relationships with customers from,Europe,America and south Asia,supplying obsolete and hard-to-find components to meet their specific needs.

With the principle of “Quality Parts,Customers Priority,Honest Operation,and Considerate Service”,our business mainly focus on the distribution of electronic components. Line cards we deal with include Microchip,ALPS,ROHM,Xilinx,Pulse,ON,Everlight and Freescale. Main products comprise IC,Modules,Potentiometer,IC Socket,Relay,Connector.Our parts cover such applications as commercial,industrial, and automotives areas.

We are looking forward to setting up business relationship with you and hope to provide you with the best service and solution. Let us make a better world for our industry!



Contact us

Tel: +86-755-8981 8866 Fax: +86-755-8427 6832

Email & Skype: info@chipsmall.com Web: www.chipsmall.com

Address: A1208, Overseas Decoration Building, #122 Zhenhua RD., Futian, Shenzhen, China



THIS DOCUMENT IS THE PROPERTY OF APM COMPONENTS AND SHALL NOT BE COPIED, REPRODUCED, DISCLOSED OR USED AS THE BASIS FOR MANUFACTURING OR SALE WITHOUT PERMISSION OF A DULY AUTHORIZED REPRESENTATIVE OF APM COMPONENTS INC.

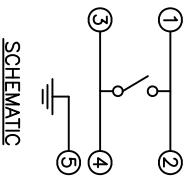
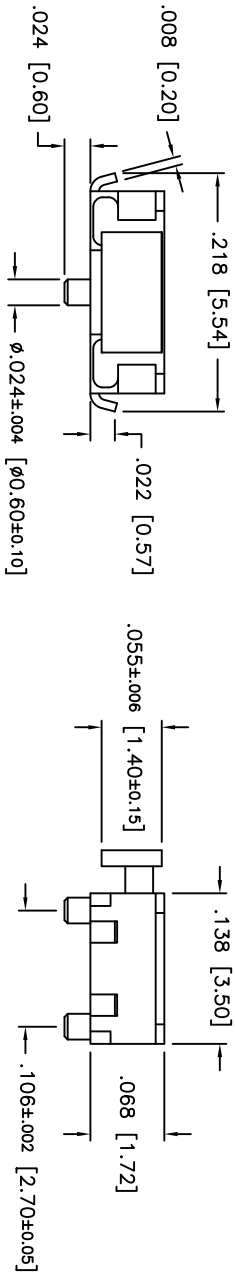
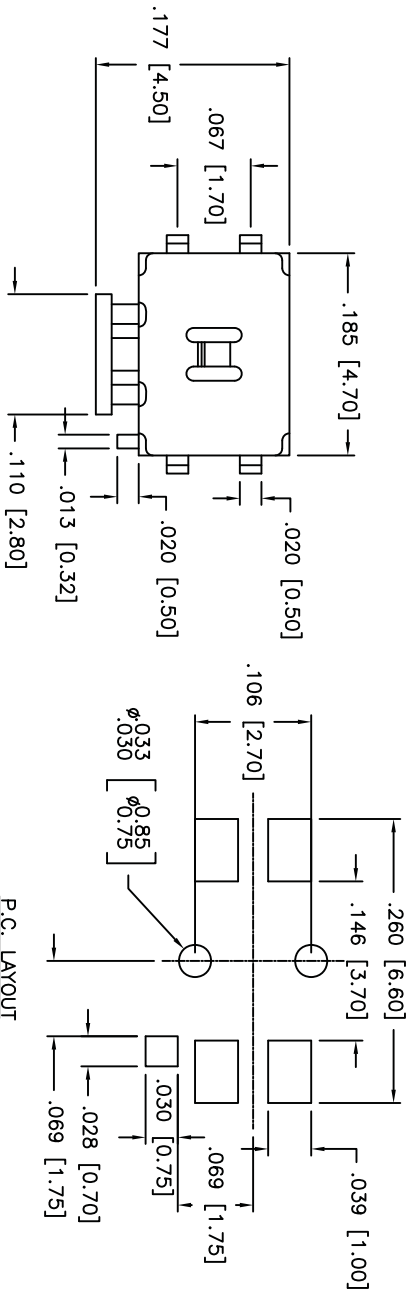
DATE	SYM	REVISION RECORD	DWN.	CK.
10/05	A	ECO# 483	CD	PD
2/07	B	ECO# 628	CD	PD

DESCRIPTION: SPST, MINIATURE SIDE PUSH SWITCH WITH P.C. LOCATING PINS AND SMT GULLWING TERMINALS.

SPECIFICATIONS:

CONTACT RATING: 50ma @ 12VDC
 INSULATION RESISTANCE: 100 MOHMS MIN. (500VDC)
 DIELECTRIC STRENGTH: 100VAC FOR 1 MINUTE
 CONTACT RESISTANCE: 100 MOHMS MAX.
 SHOCK RESISTANCE: 50G PER METHOD 213B.
 MIL-STD-202F
 VIBRATION RESISTANCE: PASSES METHOD 201A, MIL-STD-202F
 ELECTRICAL LIFE:
 100,000 CYCLES MIN.
 OPERATING FORCE: 220gf \pm 90gf
 TRAVEL: 0.30 \pm 0.15mm
 OPERATING TEMP. RANGE: -25°C TO +70°C
 STORAGE TEMP. RANGE: -30°C TO +80°C
 MATERIALS

P.C. LAYOUT
 UNLESS OTHERWISE SPECIFIED
 P.C. TOLERANCES ARE \pm .002 [0.05]



COVER: STAINLESS STEEL.
 CONTACT DISK: STAINLESS STEEL.
 TERMINAL: BRASS WITH SILVER PLATING.
 BASE: LCP HIGH-TEMP. THERMOPLASTIC,
 COLOR: BLACK.
 STEM: LCP HIGH-TEMP. THERMOPLASTIC,
 COLOR: BLACK.
 ROHS COMPLIANT
 LEAD FREE PROCESS COMPATIBLE
 HAND SOLDERING: 30 WATT IRON AT 350°C
 FOR 5 SECONDS
 IR REFLOW: 255°C MAX

Q.A. INSPECT: 		DESIGNS/REV. CONTROL DIMENSION TOLERANCES (UNLESS AS NOTED) .XX = \pm .02 [0.05] .XXX = \pm .008 [0.20] .XXXX = \pm .0008 [0.02] ANGLE = 30.5°	PPN: CJD BR: PJD OK: PJD
SHEET 1 OF 1 SIZE B SCALE 9:1 THIRD ANGLE PROJECTION	TITLE TINY SIDE PUSH SWITCH APTCLGTR	DATE 12/16/04	DRAWING NO. B7626

A 1 2 3 4 5 6 7 8

THIS DOCUMENT IS THE PROPERTY OF APDM COMPONENTS AND SHALL NOT BE COPIED, REPRODUCED, DISCLOSED OR USED AS THE BASIS FOR MANUFACTURING OR SALE WITHOUT PERMISSION OF A DULY AUTHORIZED REPRESENTATIVE OF APDM COMPONENTS INC.

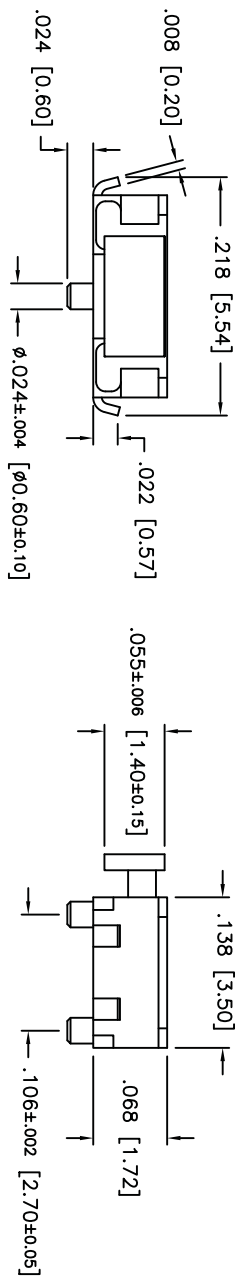
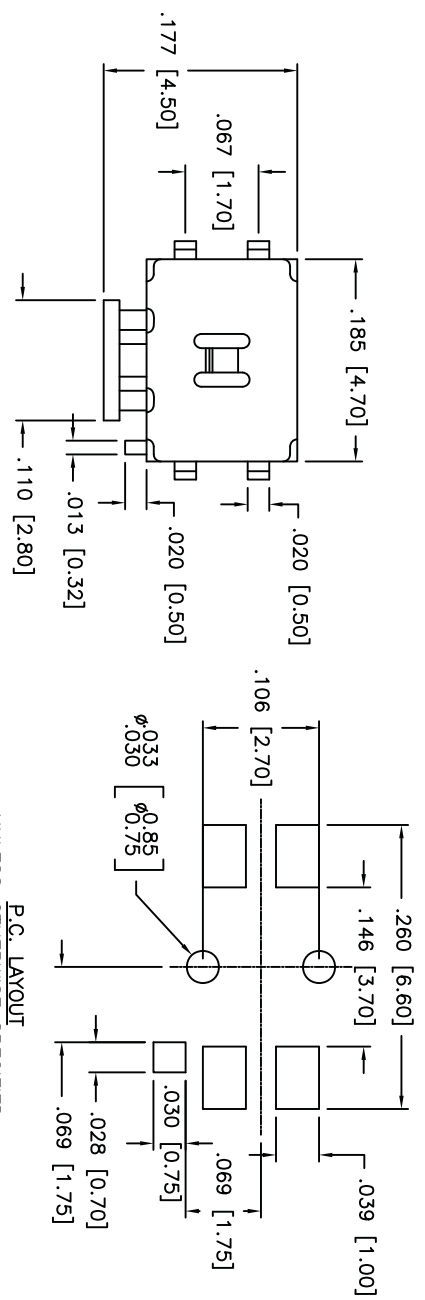
DATE	SYM	REVISION RECORD	DWN.	CK.

DESCRIPTION: SPST, MINIATURE SIDE PUSH SWITCH WITH P.C. LOCATING PINS AND SMT GULLWING TERMINALS.

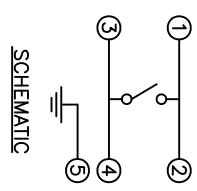
SPECIFICATIONS:

CONTACT RATING: 50ma @ 12VDC
 INSULATION RESISTANCE: 100 MOHMS MIN. (500VDC)
 DIELECTRIC STRENGTH: 100VAC FOR 1 MINUTE
 CONTACT RESISTANCE: 100 MOHMS MAX.
 SHOCK RESISTANCE: 50G PER METHOD 213B.
 MIL-STD-202F
 VIBRATION RESISTANCE: PASSES METHOD 201A, MIL-STD-202F
 ELECTRICAL LIFE:
 100,000 CYCLES MIN.
 OPERATING FORCE: 160±50gf
 TRAVEL: .008±.004
 OPERATING TEMP. RANGE: -25°C TO +70°C
 STORAGE TEMP. RANGE: -30°C TO +80°C
 MATERIALS

P.C. LAYOUT
 UNLESS OTHERWISE SPECIFIED
 P.C. TOLERANCES ARE ±.002 [0.05]



COVER: STAINLESS STEEL.
 CONTACT DISK: STAINLESS STEEL.
 TERMINAL: BRASS WITH SILVER PLATING.
 BASE: LCP HIGH-TEMP. THERMOPLASTIC.
 COLOR: BLACK.
 STEM: LCP HIGH-TEMP. THERMOPLASTIC.
 COLOR: BLACK.
 ROHS COMPLIANT
 LEAD FREE PROCESS COMPATIBLE
 HAND SOLDERING: 30 WATT IRON AT 350°C
 FOR 5 SECONDS
 IR REFLOW: 255°C MAX



SCHEMATIC

Q.A. INSPECT:	DESIGNATES CRITICAL DIMENSION	TOLERANCES (UNLESS OTHERWISE SPECIFIED)	ANGLE = 40.5°
APDM	63 Neck Rd. 01835 Haverhill, MA Phone: 978-372-5554 Fax: 978-372-5554	1/16" = .001" (0.025) 1/32" = ±.0008" (0.20) 1/64" = ±.0004" (0.10) 1/128" = ±.0002" (0.05)	DATE: 10/5/05 DRAWING NO: APTCLGTR
SHEET 1 OF 1	SIZE B	SCALE 9:1	THIRD ANGLE PROJECTION
TITLE: TINY SIDE PUSH SWITCH			REV: A

1 2 3 4 5 6 7 8

THIS DOCUMENT IS THE PROPERTY OF APDM COMPONENTS AND SHALL NOT BE COPIED, REPRODUCED, DISCLOSED OR SALE WITHOUT PERMISSION OF A DULY AUTHORIZED REPRESENTATIVE OF APDM COMPONENTS INC.

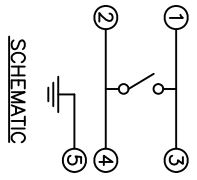
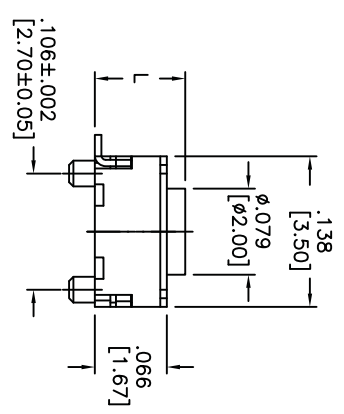
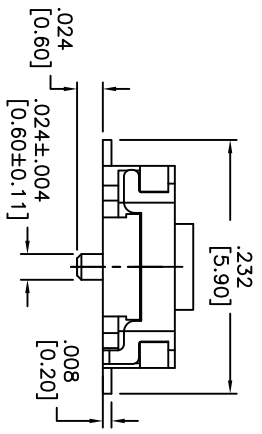
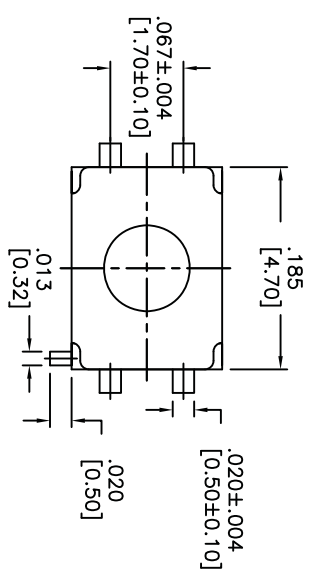
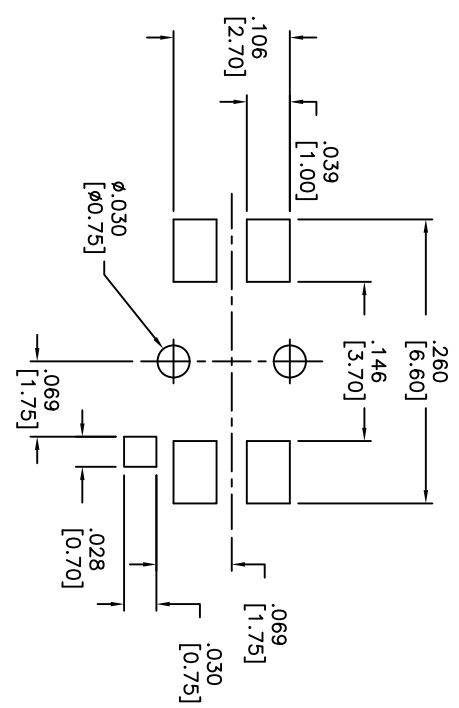
DATE	SYM	REVISION RECORD	DWN.	CK.

DESCRIPTION: SPST, MINIATURE VERTICAL PUSH SWITCH WITH P.C. LOCATING PINS AND SMT SPECIFICATIONS:

CONTACT RATING: 50mA @ 12VDC
 INSULATION RESISTANCE: 100 MOHMS MIN. (500VDC)
 DIELECTRIC STRENGTH: 250VAC FOR 1 MINUTE
 CONTACT RESISTANCE: 100 MOHMS MAX.
 SHOCK RESISTANCE: 50G PER METHOD 213B.
 MIL-STD-202F
 VIBRATION RESISTANCE: PASSES METHOD 201A.
 MIL-STD-202F
 ELECTRICAL LIFE:
 100,000 CYCLES MIN.
 OPERATING FORCE: 160±50gf
 TRAVEL: .008±.004
 OPERATING TEMP. RANGE: -25°C TO +70°C
 STORAGE TEMP. RANGE: -30°C TO +80°C
 MATERIALS

COVER: STAINLESS STEEL.
 CONTACT DISK: STAINLESS STEEL.
 TERMINAL: BRASS WITH SILVER PLATING.
 BASE: LCP HIGH-TEMP. THERMOPLASTIC,
 COLOR: BLACK.
 STEM: LCP HIGH-TEMP. THERMOPLASTIC,
 COLOR: BLACK.
 ROHS COMPLIANT
 LEAD FREE PROCESS COMPATIBLE
 HAND SOLDERING: 30 WATT IRON AT 350°C
 FOR 5 SECONDS
 IR REFLOW: 255°C MAX

P.C. LAYOUT
 UNLESS OTHERWISE SPECIFIED
 P.C. TOLERANCES ARE ±.004 [0.10]

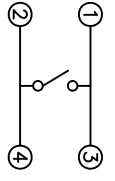
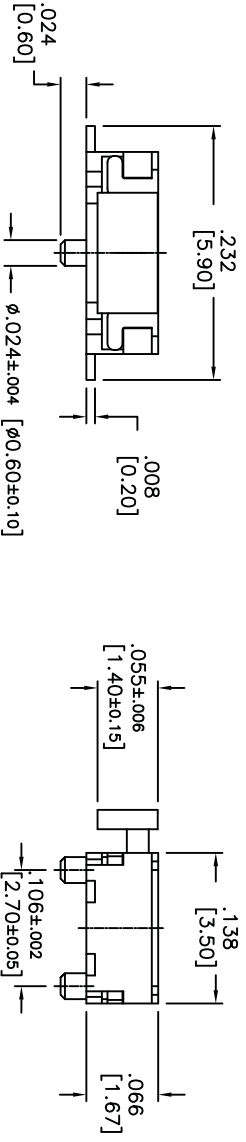
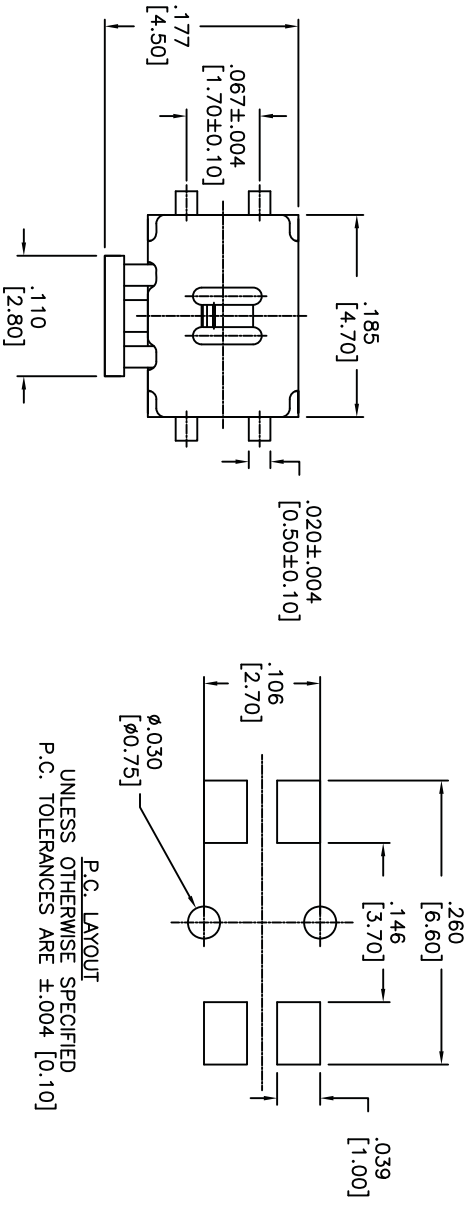


PART NO.	REV	DATE
APTFCGP1V	.0827	[2.100]
APTFCGP2V	.0984	[2.50]

Q.A. INSPECT:	DESIGNATES CRITICAL DIMENSION	TOLERANCES (UNLESS OTHERWISE SPECIFIED)	ANGLE = 30.5°
APDM	63 NACK RD. HUNTSVILLE, ALA 35895	100% ±.0008 [0.02]	100% ±.0008 [0.02]
DRN. CJD	BR. PJD	TITLE: TINY VERTICAL PUSH SWITCH	
DATE: 7/7/05	DRAWING NO. APTFCGP*V	DO NOT SCALE DRAWING	

1 2 3 4 5 6 7 8

THIS DOCUMENT IS THE PROPERTY OF APDM COMPONENTS AND SHALL NOT BE COPIED, REPRODUCED, DISCLOSED OR SALE WITHOUT PERMISSION OF A DULY AUTHORIZED REPRESENTATIVE OF APDM COMPONENTS INC.



SCHEMATIC

DATE	SYM	REVISION RECORD	DWN.	CK.

DESCRIPTION: SPST, MINIATURE SIDE PUSH SWITCH WITH P.C. LOCATING PINS AND SMT SPECIFICATIONS:

CONTACT RATING: 50mA @ 12VDC
INSULATION RESISTANCE: 100 MOHMS MIN. (500VDC)

DIELECTRIC STRENGTH: 250VAC FOR 1 MINUTE
CONTACT RESISTANCE: 100 MOHMS MAX.
SHOCK RESISTANCE: 50G PER METHOD 213B.
MIL-STD-202F
VIBRATION RESISTANCE: PASSES METHOD 201A.
MIL-STD-202F
ELECTRICAL LIFE:
100,000 CYCLES MIN.
OPERATING FORCE: 220^{+90g}
TRAVEL: .012^{+0.06}
OPERATING TEMP. RANGE: -25°C TO +70°C
STORAGE TEMP. RANGE: -30°C TO +80°C
MATERIALS

COVER: STAINLESS STEEL
CONTACT DISK: STAINLESS STEEL.
TERMINAL: BRASS WITH SILVER PLATING.
BASE: LCP HIGH-TEMP. THERMOPLASTIC.
COLOR: BLACK.
STEM: LCP HIGH-TEMP. THERMOPLASTIC,
COLOR: BLACK.

TAPE: TEFLON
TAPE & REEL PACKAGING: 3,000 PCS. PER REEL
ROHS COMPLIANT
LEAD FREE PROCESS COMPATIBLE
HAND SOLDERING: 30 WATT IRON AT 350°C
FOR 5 SECONDS
IR REFLOW: 255°C MAX

Q.A. INSPECT:	DESIGNER'S INITIAL:	APDM	63 Neck Rd. Haverhill, MA 01830 Phone: 978-372-5554 Fax: 978-372-5554	DRN. CJD	
TOLERANCES (UNLESS AS NOTED) .XX±.XX(0.05) .XXX±.XXX(0.20) .XXXX±.XXXX(0.002)	INCH	SHEET	SIZE	SCALE	THIRD ANGLE PROJECTION
ANGLE = 30.5°	1 OF 1	B	9:1		
DO NOT SCALE DRAWING	DATE	DRAWING NO.	REV		
7/7/05	APTCFV	A			