



Chipsmall Limited consists of a professional team with an average of over 10 year of expertise in the distribution of electronic components. Based in Hongkong, we have already established firm and mutual-benefit business relationships with customers from,Europe,America and south Asia,supplying obsolete and hard-to-find components to meet their specific needs.

With the principle of “Quality Parts,Customers Priority,Honest Operation,and Considerate Service”,our business mainly focus on the distribution of electronic components. Line cards we deal with include Microchip,ALPS,ROHM,Xilinx,Pulse,ON,Everlight and Freescale. Main products comprise IC,Modules,Potentiometer,IC Socket,Relay,Connector.Our parts cover such applications as commercial,industrial, and automotives areas.

We are looking forward to setting up business relationship with you and hope to provide you with the best service and solution. Let us make a better world for our industry!



Contact us

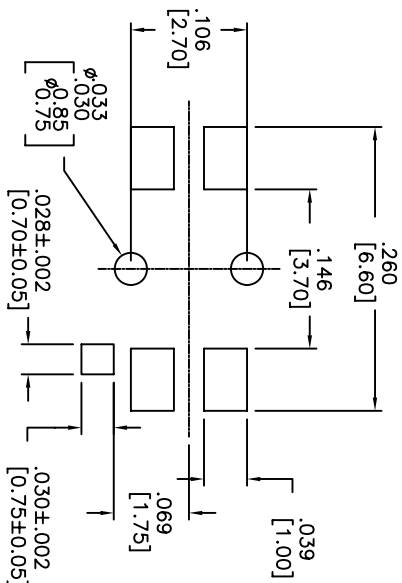
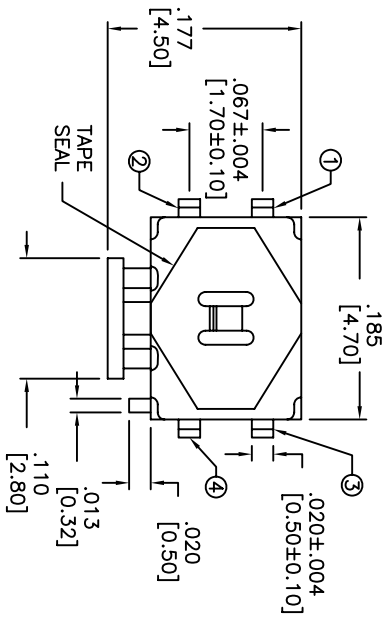
Tel: +86-755-8981 8866 Fax: +86-755-8427 6832

Email & Skype: info@chipsmall.com Web: www.chipsmall.com

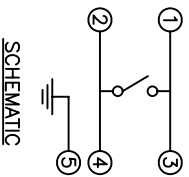
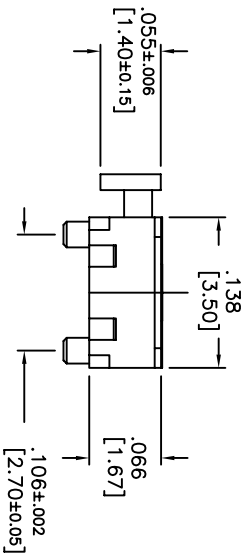
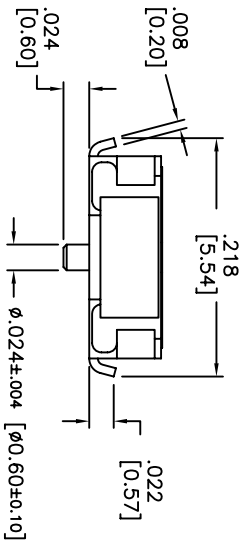
Address: A1208, Overseas Decoration Building, #122 Zhenhua RD., Futian, Shenzhen, China



THIS DOCUMENT IS THE PROPERTY OF APDM COMPONENTS AND SHALL NOT BE COPIED, REPRODUCED, DISCLOSED OR SALE WITHOUT PERMISSION OF A DULY AUTHORIZED REPRESENTATIVE OF APDM COMPONENTS INC.



P.C. LAYOUT
UNLESS OTHERWISE SPECIFIED
P.C. TOLERANCES ARE ±.004 [0.10]



DATE	SYM	REVISION RECORD	DWN.	CK.

DESCRIPTION: SPST, MINIATURE SIDE PUSH SWITCH WITH TAPE SEAL, GULLWING SURFACE MOUNT AND GROUNDING TERMINAL.

SPECIFICATIONS:

CONTACT RATING: 50mA @ 12VDC
INSULATION RESISTANCE: 100 MOHMS MIN. (500VDC)

DIELECTRIC STRENGTH: 250VAC FOR 1 MINUTE
CONTACT RESISTANCE: 100 MOHMS MAX.
SHOCK RESISTANCE: 50G PER METHOD 213B.

MIL-STD-202F
VIBRATION RESISTANCE: PASSES METHOD 201A.
MIL-STD-202F
ELECTRICAL LIFE:

100,000 CYCLES MIN.
OPERATING FORCE: 220 ±98 gf
TRAVEL: .012 ±.006 [0.30 ±0.15]
OPERATING TEMP. RANGE: -25°C TO +70°C
STORAGE TEMP. RANGE: -30°C TO +80°C
MATERIALS

COVER: STAINLESS STEEL.
CONTACT DISK: STAINLESS STEEL.
TERMINAL: BRASS WITH SILVER PLATING.
BASE: LCP HIGH-TEMP. THERMOPLASTIC.
COLOR: BLACK.
STEM: LCP HIGH-TEMP. THERMOPLASTIC.
COLOR: BLACK.
TAPES SEAL: TEFLON
ROHS COMPLIANT
LEAD FREE PROCESS COMPATIBLE
HAND SOLDERING: 30 WATT IRON AT 350°C
FOR 5 SECONDS
IR REFLOW: 255°C MAX

<p>Q.A. INSECT: DESIGNATES CRITICAL DIMENSION</p>				<p>63 NACK RD. 01835 Haverhill, MA 01830 Tel: 978-372-5554 Fax: 978-372-5554</p>		<p>PRN: CJD BR: PJD</p>	
<p>TOLERANCES (UNLESS OTHERWISE SPECIFIED) X.X±.X [0.05] .X00±.X [0.20] .X000±.X [0.02] ANGLE = 30.5°</p>		<p>SHEET 1 OF 1</p>		<p>SIZE B</p>		<p>SCALE 9:1</p>	
<p>DATE 1/11/07</p>		<p>DRAWING NO. APTCLGTV</p>		<p>THIRD ANGLE PROJECTION</p>		<p>REV A</p>	
<p>TITLE TINY SIDE PUSH SWITCH</p>		<p>NO. NET SCALE</p>		<p>DO NOT SCALE DRAWING</p>		<p> </p>	