



Chipsmall Limited consists of a professional team with an average of over 10 year of expertise in the distribution of electronic components. Based in Hongkong, we have already established firm and mutual-benefit business relationships with customers from,Europe,America and south Asia,supplying obsolete and hard-to-find components to meet their specific needs.

With the principle of “Quality Parts,Customers Priority,Honest Operation,and Considerate Service”,our business mainly focus on the distribution of electronic components. Line cards we deal with include Microchip,ALPS,ROHM,Xilinx,Pulse,ON,Everlight and Freescale. Main products comprise IC,Modules,Potentiometer,IC Socket,Relay,Connector.Our parts cover such applications as commercial,industrial, and automotives areas.

We are looking forward to setting up business relationship with you and hope to provide you with the best service and solution. Let us make a better world for our industry!



## Contact us

Tel: +86-755-8981 8866 Fax: +86-755-8427 6832

Email & Skype: info@chipsmall.com Web: www.chipsmall.com

Address: A1208, Overseas Decoration Building, #122 Zhenhua RD., Futian, Shenzhen, China

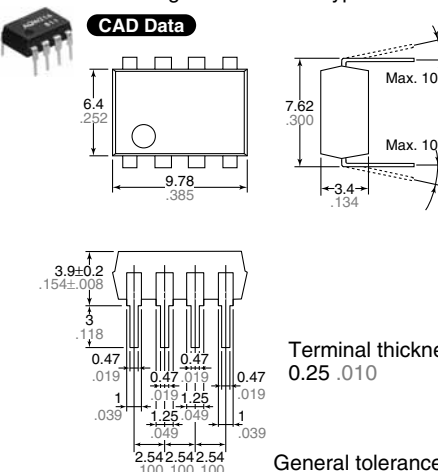
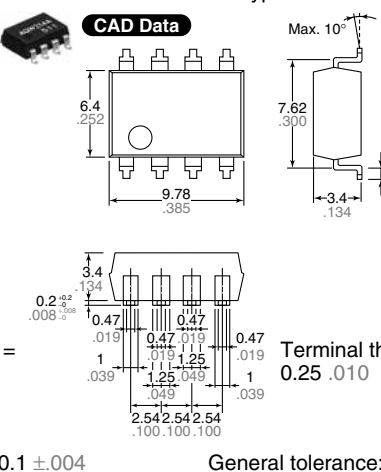
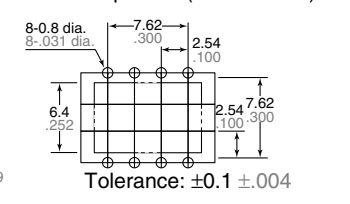
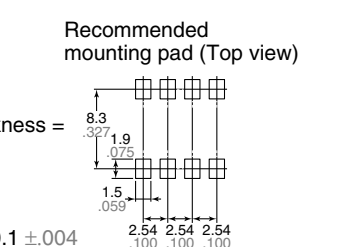
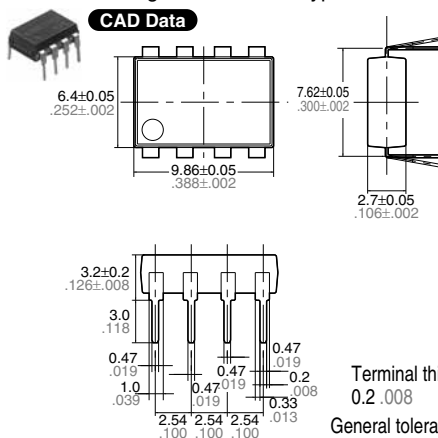
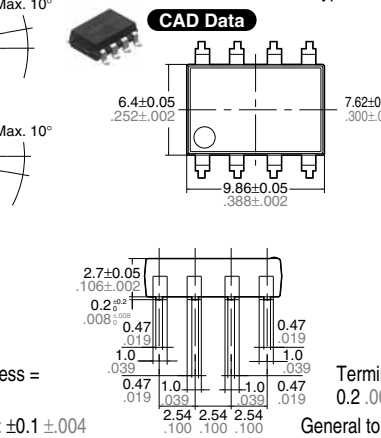
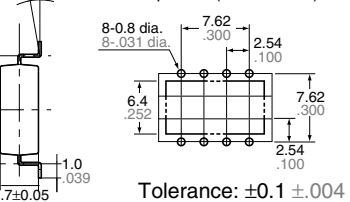
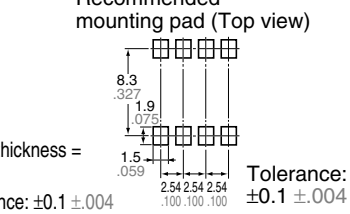
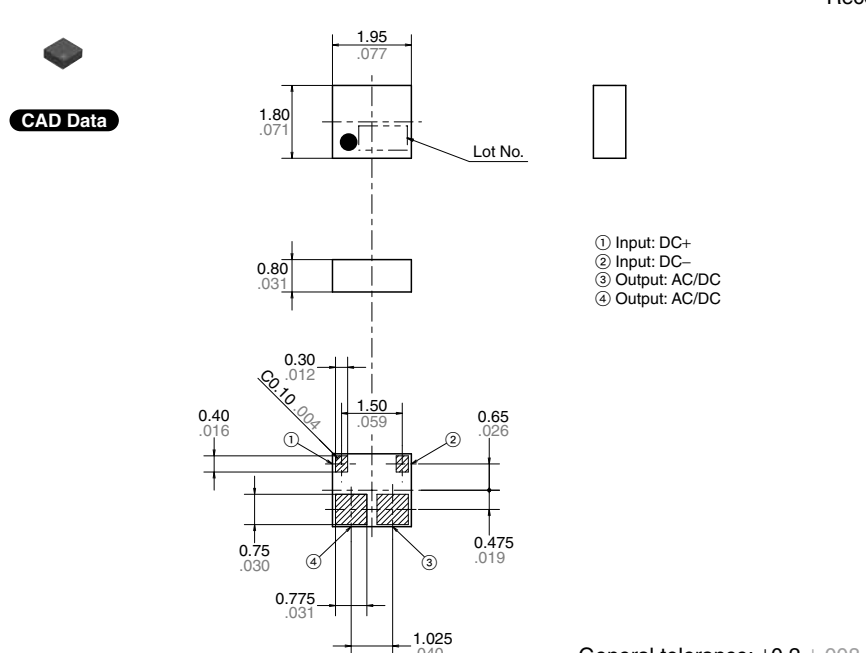
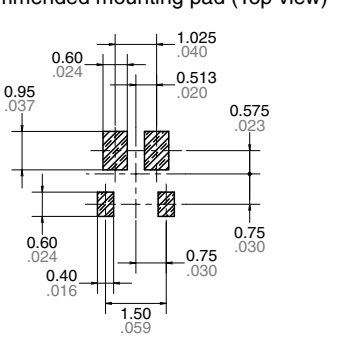


# PhotoMOS<sup>®</sup> Dimensions


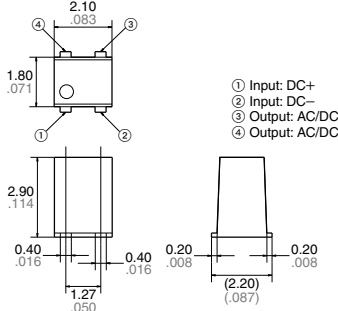
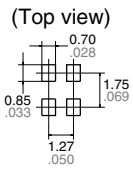

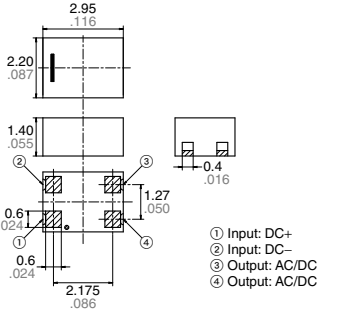
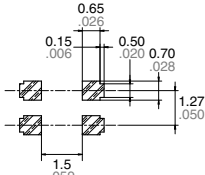

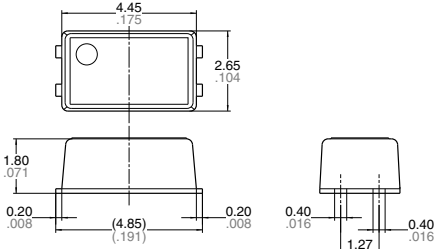
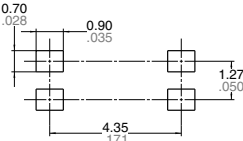

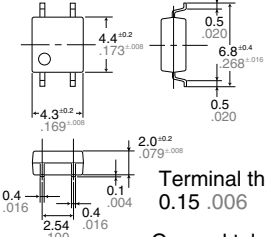
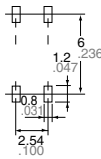

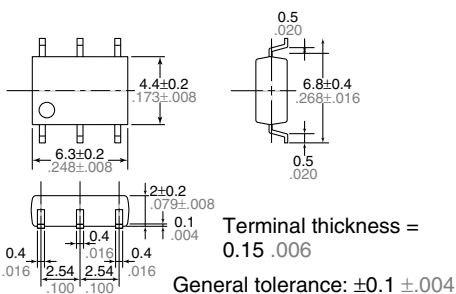
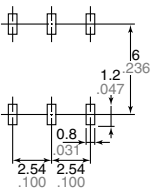
mm inch

Type	Dimensions			
AQY21(DIP) AQY41(DIP) Series	<p><b>Through hole terminal type</b></p> <p><b>CAD Data</b></p>	<p><b>Surface mount terminal type</b></p> <p><b>CAD Data</b></p>	<p><b>PC board pattern (Bottom view)</b></p> <p><b>Recommended mounting pad (Top view)</b></p>	
	AQV10(DIP) AQV11(DIP) AQV20(DIP) AQV21(DIP) AQV22(DIP) AQV23(DIP) AQV25(DIP) AQV41(DIP) AQV45(DIP) Series	<p><b>Through hole terminal type</b></p> <p><b>CAD Data</b></p>	<p><b>Surface mount terminal type</b></p> <p><b>CAD Data</b></p>	<p><b>PC board pattern (Bottom view)</b></p> <p><b>Recommended mounting pad (Top view)</b></p>
		APV1122(DIP)	<p><b>Through hole terminal type</b></p> <p><b>CAD Data</b></p>	<p><b>Surface mount terminal type</b></p> <p><b>CAD Data</b></p>


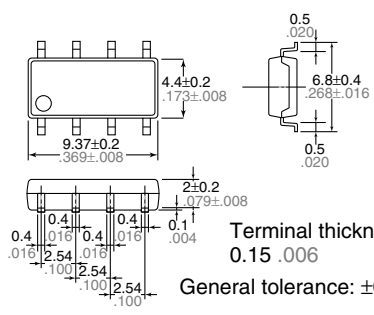
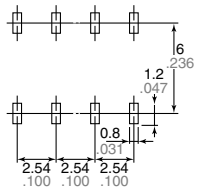

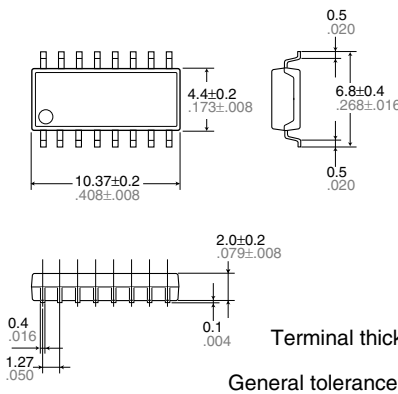
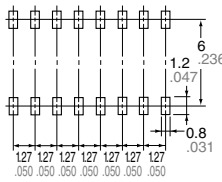

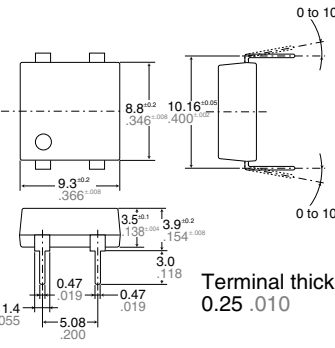
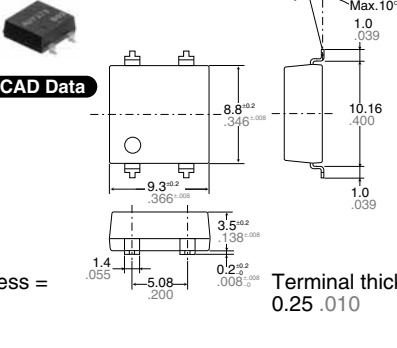
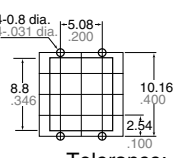
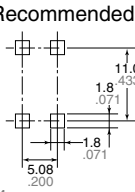

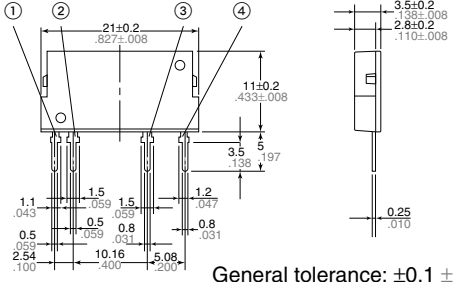
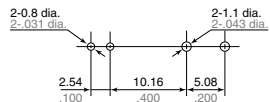
The CAD data of the products with a **CAD Data** mark can be downloaded from: <http://industrial.panasonic.com/ac/e/>

Type	Dimensions		
<p>AQW21(DIP) AQW22(DIP) AQW25(DIP) AQW41(DIP) AQW45(DIP) AQW61(DIP) AQW65(DIP) Series</p>	<p><b>Through hole terminal type</b></p> <p><b>CAD Data</b></p>  <p>Terminal thickness = 0.25 .010</p> <p>General tolerance: ±0.1 ±.004</p>	<p><b>Surface mount terminal type</b></p> <p><b>CAD Data</b></p>  <p>Terminal thickness = 0.25 .010</p> <p>General tolerance: ±0.1 ±.004</p>	<p><b>PC board pattern (Bottom view)</b></p>  <p>Tolerance: ±0.1 ±.004</p> <p><b>Recommended mounting pad (Top view)</b></p> 
<p>AQW21○EH (DIP) AQW21○HL (DIP) AQW41○EH (DIP) AQW61○EH (DIP) Series</p>	<p><b>Through hole terminal type</b></p> <p><b>CAD Data</b></p>  <p>Terminal thickness = 0.2 .008</p> <p>General tolerance: ±0.1 ±.004</p>	<p><b>Surface mount terminal type</b></p> <p><b>CAD Data</b></p>  <p>Terminal thickness = 0.2 .008</p> <p>General tolerance: ±0.1 ±.004</p>	<p><b>PC board pattern (Bottom view)</b></p>  <p>Tolerance: ±0.1 ±.004</p> <p><b>Recommended mounting pad (Top view)</b></p>  <p>Tolerance: ±0.1 ±.004</p>
<p>AQY2C(TSON) Series</p>	<p><b>CAD Data</b></p>  <p>① Input: DC+ ② Input: DC- ③ Output: AC/DC ④ Output: AC/DC</p> <p>General tolerance: ±0.2 ±.008</p> <p><b>Recommended mounting pad (Top view)</b></p>  <p>Tolerance: ±0.1 ±.004</p>		


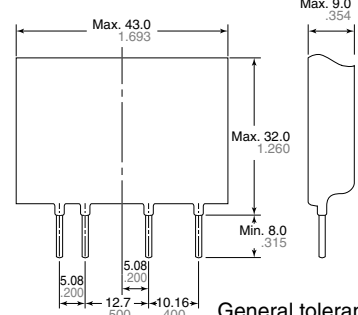

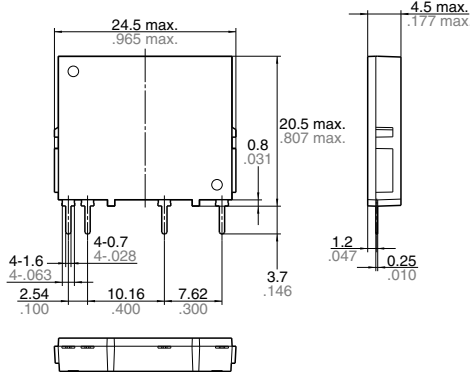
The CAD data of the products with a **CAD Data** mark can be downloaded from: <http://industrial.panasonic.com/ac/e/>

Type	Dimensions	
<p>AQY22(VSSOP) Series</p> <p> <b>CAD Data</b></p>	 <p>① Input: DC+ ② Input: DC- ③ Output: AC/DC ④ Output: AC/DC</p> <p>General tolerance: <math>\pm 0.1 \pm .004</math></p>	<p>Recommended mounting pad (Top view)</p>  <p>Tolerance: <math>\pm 0.1 \pm .004</math></p>
<p>AQY22(SON) Series</p> <p> <b>CAD Data</b></p>	 <p>① Input: DC+ ② Input: DC- ③ Output: AC/DC ④ Output: AC/DC</p> <p>General tolerance: <math>\pm 0.2 \pm .008</math></p>	<p>Recommended mounting pad (Top view)</p>  <p>Tolerance: <math>\pm 0.1 \pm .004</math></p>
<p>APV21(SSOP) AQY22(SSOP) Series</p> <p> <b>CAD Data</b></p>	 <p>Terminal thickness = <math>0.15 \pm .006</math> General tolerance: <math>\pm 0.1 \pm .004</math></p>	<p>Recommended mounting pad (Top view)</p>  <p>Tolerance: <math>\pm 0.1 \pm .004</math></p>
<p>APV11(SOP) APV21(SOP) AQY21(SOP) AQY22(SOP) AQY23(SOP) AQY41(SOP) Series</p> <p> <b>CAD Data</b></p>	 <p>Terminal thickness = <math>0.15 \pm .006</math> General tolerance: <math>\pm 0.1 \pm .004</math></p>	<p>Recommended mounting pad (Top view)</p>  <p>Tolerance: <math>\pm 0.1 \pm .004</math></p>
<p>AQV21(SOP) AQV22(SOP) AQV25(SOP) AQV41(SOP) Series</p> <p> <b>CAD Data</b></p>	 <p>Terminal thickness = <math>0.15 \pm .006</math> General tolerance: <math>\pm 0.1 \pm .004</math></p>	<p>Recommended mounting pad (Top view)</p>  <p>Tolerance: <math>\pm 0.1 \pm .004</math></p>

The CAD data of the products with a **CAD Data** mark can be downloaded from: <http://industrial.panasonic.com/ac/e/>

Type	Dimensions			
<p>AQW21(SOP) AQW22(SOP) AQW41(SOP) AQW61(SOP) Series</p>  <p><b>CAD Data</b></p>	 <p>4.4±0.2 .173±.008 9.37±0.2 .369±.008 0.5 .020 6.8±0.4 .268±.016 0.5 .020 2±0.2 1.079±.008 0.4 0.16 0.4 0.16 0.1 .004 0.4 0.16 0.4 0.16 2.54 .100 2.54 .100 2.54 .100</p> <p>Terminal thickness = 0.15 .006 General tolerance: ±0.1 ±.004</p>		<p>Recommended mounting pad (Top view)</p>  <p>6 1.2 .236 0.8 .031 2.54 .100 2.54 .100 2.54 .100</p> <p>Tolerance: ±0.1 ±.004</p>	
<p>AQS22(SOP) Series</p>  <p><b>CAD Data</b></p>	 <p>4.4±0.2 .173±.008 10.37±0.2 .408±.008 0.5 .020 6.8±0.4 .268±.016 0.5 .020 2.0±0.2 1.079±.008 0.4 0.16 1.27 .050 0.1 .004</p> <p>Terminal thickness = 0.15 .006 General tolerance: ±0.1 ±.004</p>		<p>Recommended mounting pad (Top view)</p>  <p>6 1.2 .236 0.8 .031 1.27 .050 1.27 .050 1.27 .050 1.27 .050 1.27 .050</p> <p>Tolerance: ±0.1 ±.004</p>	
<p>AQY27 (Power-DIP) Series</p>  <p><b>CAD Data</b></p>	<p>Through hole terminal type</p>  <p>8.8±0.2 .346±.008 10.16±0.25 .400±.008 9.3±0.2 .366±.008 3.5±0.1 1.38±.008 3.9±0.2 1.54±.008 3.0 .118 0.47 .019 0.47 .019 1.4 .055 5.08 .200</p> <p>Terminal thickness = 0.25 .010 General tolerance: ±0.1 ±.004</p>	<p>Surface mount terminal type</p>  <p>8.8±0.2 .346±.008 10.16 .400 9.3±0.2 .366±.008 3.5±0.2 1.38±.008 1.4 .055 5.08 .200 0.2±0.2 .008±.008 1.0 .039</p> <p>Terminal thickness = 0.25 .010 General tolerance: ±0.1 ±.004</p>	<p>PC board pattern (Bottom view)</p>  <p>4-0.8 dia. 4-.031 dia. 1.0 .039 8.8 .346 10.16 .400 2.54 .100</p> <p>Tolerance: ±0.1 ±.004</p> <p>Recommended mounting pad (Top view)</p>  <p>11.0 4.33 1.8 .071 5.08 .200 1.8 .071</p> <p>Tolerance: ±0.1 ±.004</p>	
<p>AQZ10(SIL) AQZ20(SIL) AQZ40(SIL) Series</p>  <p><b>CAD Data</b></p>	 <p>21±0.2 .827±.008 11±0.2 .433±.008 3.5±0.2 1.38±.008 2.8±0.2 .110±.008 1.1 .043 1.5 .059 1.5 .059 0.5 .059 0.8 .031 1.2 .047 0.8 .031 3.5 .138 5 .197 0.25 .010</p> <p>General tolerance: ±0.1 ±.004</p>		<p>PC board pattern (Bottom view)</p>  <p>2-0.8 dia. 2-.031 dia. 2-1.1 dia. 2-.043 dia. 2.54 .100 10.16 .400 5.08 .200</p> <p>Tolerance: ±0.1 ±.004</p> <p>AC/DC type          ① Input: DC-          ② Input: DC+          ③ Output: DC or AC          ④ Output: DC or AC</p> <p>DC type          ① Input: DC-          ② Input: DC+          ③ Output: DC-          ④ Output: DC+</p>	

The CAD data of the products with a **CAD Data** mark can be downloaded from: <http://industrial.panasonic.com/ac/e/>

Type	Dimensions						
<p>AQZ26(SIL) Series</p>  <p><b>CAD Data</b></p>	 <p>General tolerance: <math>\pm 0.5 \pm .020</math> Pitch tolerance: <math>\pm 0.1 \pm .004</math></p> <p>Mounting hole location (Bottom view)</p> <ul style="list-style-type: none"> <li>① Input: DC -</li> <li>② Input: DC +</li> <li>③ Output: AC or DC</li> <li>④ Output: AC or DC</li> </ul>						
<p>AQZ19(SIL) Series</p>  <p><b>CAD Data</b></p>	 <p>General tolerance: <math>\pm 0.2 \pm .008</math></p> <p>PC board pattern (Bottom view)</p> <p>Tolerance: <math>\pm 0.1 \pm .004</math></p> <p>Schematic</p> <table border="0"> <tr> <td>Input</td> <td>Output</td> </tr> <tr> <td>- +</td> <td>o o</td> </tr> <tr> <td>o o</td> <td>o o</td> </tr> </table>	Input	Output	- +	o o	o o	o o
Input	Output						
- +	o o						
o o	o o						

The CAD data of the products with a **CAD Data** mark can be downloaded from: <http://industrial.panasonic.com/ac/e/>