



Chipsmall Limited consists of a professional team with an average of over 10 year of expertise in the distribution of electronic components. Based in Hongkong, we have already established firm and mutual-benefit business relationships with customers from,Europe,America and south Asia,supplying obsolete and hard-to-find components to meet their specific needs.

With the principle of “Quality Parts,Customers Priority,Honest Operation,and Considerate Service”,our business mainly focus on the distribution of electronic components. Line cards we deal with include Microchip,ALPS,ROHM,Xilinx,Pulse,ON,Everlight and Freescale. Main products comprise IC,Modules,Potentiometer,IC Socket,Relay,Connector.Our parts cover such applications as commercial,industrial, and automotives areas.

We are looking forward to setting up business relationship with you and hope to provide you with the best service and solution. Let us make a better world for our industry!



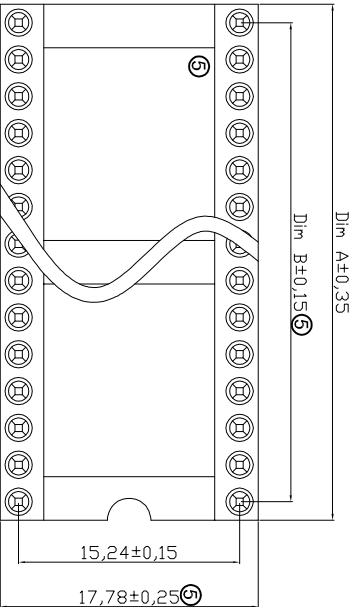
Contact us

Tel: +86-755-8981 8866 Fax: +86-755-8427 6832

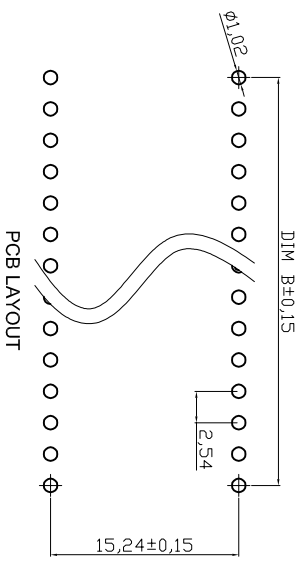
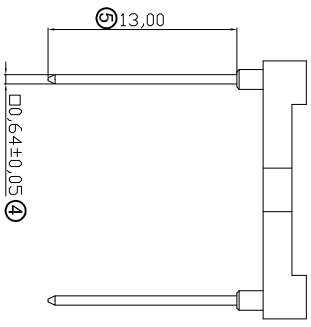
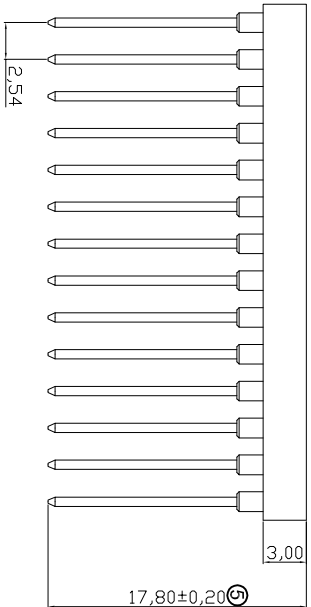
Email & Skype: info@chipsmall.com Web: www.chipsmall.com

Address: A1208, Overseas Decoration Building, #122 Zhenhua RD., Futian, Shenzhen, China





Contact	DIM A	DIM B
24	30.48	27.94
28	35.56	33.02



- NOTES:**
- MATERIAL**
1. Pin(outer sleeve): Brass, machined CuZn38Pb2
 2. Clip(contact 4 finger): Beryllium copper, heat treated
 3. Plating(outer sleeve): 2um/80u"nickel, 5um/200u"Tin
 4. Plating(contact): 2um/80u"nickel, Gold flash
 5. Insulator Material: Glass filled PBT, UL94V-0 Black
- ELECTRICAL**
1. Current Rating: 3Amps/contact max.
 2. Contact Resistance: 4mΩ/contact max.
 3. Insulation Resistance: 1000MΩ min. at V=100V
 4. Operating Voltage: 60VAC/DC
- MECHANICAL**
1. Average Insertion force with steel pin of $\phi 0.43\text{mm}/0.017''$; <250g
 2. Average Withdrawal force with steel pin of $\phi 0.43\text{mm}/0.017''$; >90g min.
 3. Mechanical life cycle: 200 min.
 4. Operation Temperature: -40°C to +105°C
 5. Soldering temperature: +220°C, 10s max.
- Packaging: Tube

RoHS compliant
Unit: mm

Scale	Free						
TOLERANCE							
X.	±0.50	⑤	Update to new drawing	28.10.2016	Amy	Drawn	23.07.2009
X.X	±0.30	④	Update the pin size	30.10.2014	Amy	Approved	28.10.2016
X.XX	±0.20	③	Change to round pin 0.7mm	01.09.2011	Lucas		
X.XXX	±0.10	②	Modify notes	17.12.2009	Dean		
DIM	TOL	①	Drawn	23.07.2009	Dean		
Angle	±5°						
Angle	TOL		Modification				

Date	Name	Customer-No.
23.07.2009	Dean	
28.10.2016	Amy	

ASSMANN WSW-No. AR 24-HZW/TN
AR 28-HZW/TN

Drawing-No. ASS 3579 CO rev05

Replace Sheet



1	2	3	4	5	6	7	A
1	2	3	4	5	6	7	A
H	G	F	E	D	C	B	A