



Chipsmall Limited consists of a professional team with an average of over 10 year of expertise in the distribution of electronic components. Based in Hongkong, we have already established firm and mutual-benefit business relationships with customers from,Europe,America and south Asia,supplying obsolete and hard-to-find components to meet their specific needs.

With the principle of “Quality Parts,Customers Priority,Honest Operation,and Considerate Service”,our business mainly focus on the distribution of electronic components. Line cards we deal with include Microchip,ALPS,ROHM,Xilinx,Pulse,ON,Everlight and Freescale. Main products comprise IC,Modules,Potentiometer,IC Socket,Relay,Connector.Our parts cover such applications as commercial,industrial, and automotives areas.

We are looking forward to setting up business relationship with you and hope to provide you with the best service and solution. Let us make a better world for our industry!



Contact us

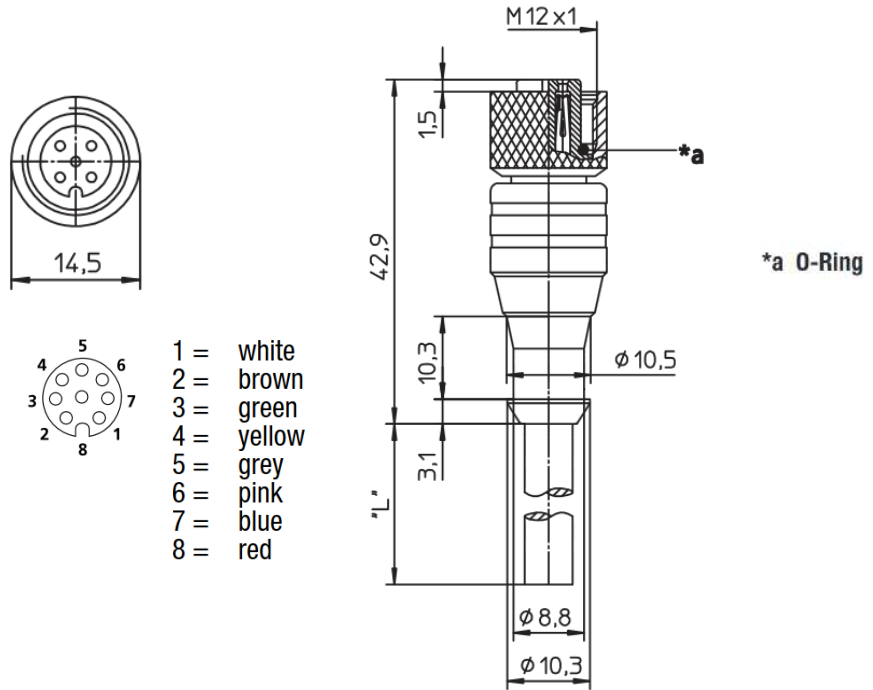
Tel: +86-755-8981 8866 Fax: +86-755-8427 6832

Email & Skype: info@chipsmall.com Web: www.chipsmall.com

Address: A1208, Overseas Decoration Building, #122 Zhenhua RD., Futian, Shenzhen, China



Drawings



Technical Data

Cordage Construction		Diameters (In)
Cordage Part Number	112	
Component 1	8 COND	
a) Conductor	22 (26/36) AWG Bare Copper	0.027
b) Insulation	0.010" Wall, Nom. SR-PVC	0.047
Insulation Colors	White, Brown, Green, Yellow, Grey, Pink, Blue & Red	
Jacket	0.032" Wall, Nom. TPE	0.255
a) Color(s)	SLATE	
Cord Configuration		
End 1	M12-A Female	
End 2	Cut End	
Insert	Black TPU	
Mold Color	Black TPU	
Contact	Copper Alloy, Gold plated	
Coupling Nut	Copper Alloy, Nickel plated	
O-Ring	FKM	
Available Lengths	0.6, 1, 3, 5, 10, 15, 20 Meters	

Issue: 1 Issue Date: 7/29/2016 Effective Date: 7/29/2016

Applicable Specifications-Cable		
UL	AWM/STYLE 20327 PLTC	105°C / 300 V _{RMS} 105°C
CSA International	C(RU) AWM I/II A/B FT4	105°C / 300 V _{RMS}
Applicable Specifications-Cord Set		
UL	ANSI/UL 2238, Cable Assembly Extension RU, UL File Number E485156	
CSA	CSA-C22.2 No. 182.3, Special Use Attachment Plugs, Receptacles and Connectors cRU, UL File Number E485156	
Nominal Voltage	30 V	
Rated Voltage	36 V	
Ingress Protection	IP67/NEMA 6P	
Environmental Compliance		
CE	All materials used in the manufacture of this part meet the requirements of European Directive 2011/65/EU regarding the restriction of use of certain hazardous substances in electrical and electronic equipment. Exemption used; 6a.	
REACH Regulation (EC 1907/2006)	This product does not contain Substances of Very High Concern (SVHC) listed on the European Union's REACH candidate list in excess of 0.1% mass of the item.	
Physical & Mechanical Properties		
Temperature Range, Cord	-35 to 105°C(static), -15 to 90°C (dynamic)	
Temperature Range, Connector	-25°C to +80°C	
Bend Radius	7X Cable Diameter (static), 10X Cable Diameter (dynamic)	
Pull Tension	41 Lbs, Maximum	
Current Rating	2.2 Amps @ 50°C	
Ordering Information		
AR0800112 SL355	0.6 Meters	
AR0800112 SL356	1.0 Meters	
AR0800112 SL357	3.0 Meters	
AR0800112 SL358	5.0 Meters	
AR0800112 SL359	10.0 Meters	
AR0800112 SL400	15.0 Meters	
AR0800112 SL401	20.0 Meters	
Standard Package	Each	

Although Alpha Wire (“Alpha”) makes every reasonable effort to ensure their accuracy at the time of this publication, information and specifications described herein are subject to error or omission and to change without notice, and the listing of such information and specifications does not ensure product availability. Alpha provides the information and specification herein on an “AS IS” basis, with no representations or warranties, whether express, statutory or implied. In no event will Alpha be liable any damages (including consequential, indirect, incidental, special, punitive, or exemplary damages) whatsoever, even if Alpha has been advised of the possibility of such damages, whether in an action under contract, negligence or any other theory, arising out of or in connection with the use, or inability to use, the information or specification described herein.