



Chipsmall Limited consists of a professional team with an average of over 10 year of expertise in the distribution of electronic components. Based in Hongkong, we have already established firm and mutual-benefit business relationships with customers from,Europe,America and south Asia,supplying obsolete and hard-to-find components to meet their specific needs.

With the principle of “Quality Parts,Customers Priority,Honest Operation,and Considerate Service”,our business mainly focus on the distribution of electronic components. Line cards we deal with include Microchip,ALPS,ROHM,Xilinx,Pulse,ON,Everlight and Freescale. Main products comprise IC,Modules,Potentiometer,IC Socket,Relay,Connector.Our parts cover such applications as commercial,industrial, and automotives areas.

We are looking forward to setting up business relationship with you and hope to provide you with the best service and solution. Let us make a better world for our industry!



Contact us

Tel: +86-755-8981 8866 Fax: +86-755-8427 6832

Email & Skype: info@chipsmall.com Web: www.chipsmall.com

Address: A1208, Overseas Decoration Building, #122 Zhenhua RD., Futian, Shenzhen, China



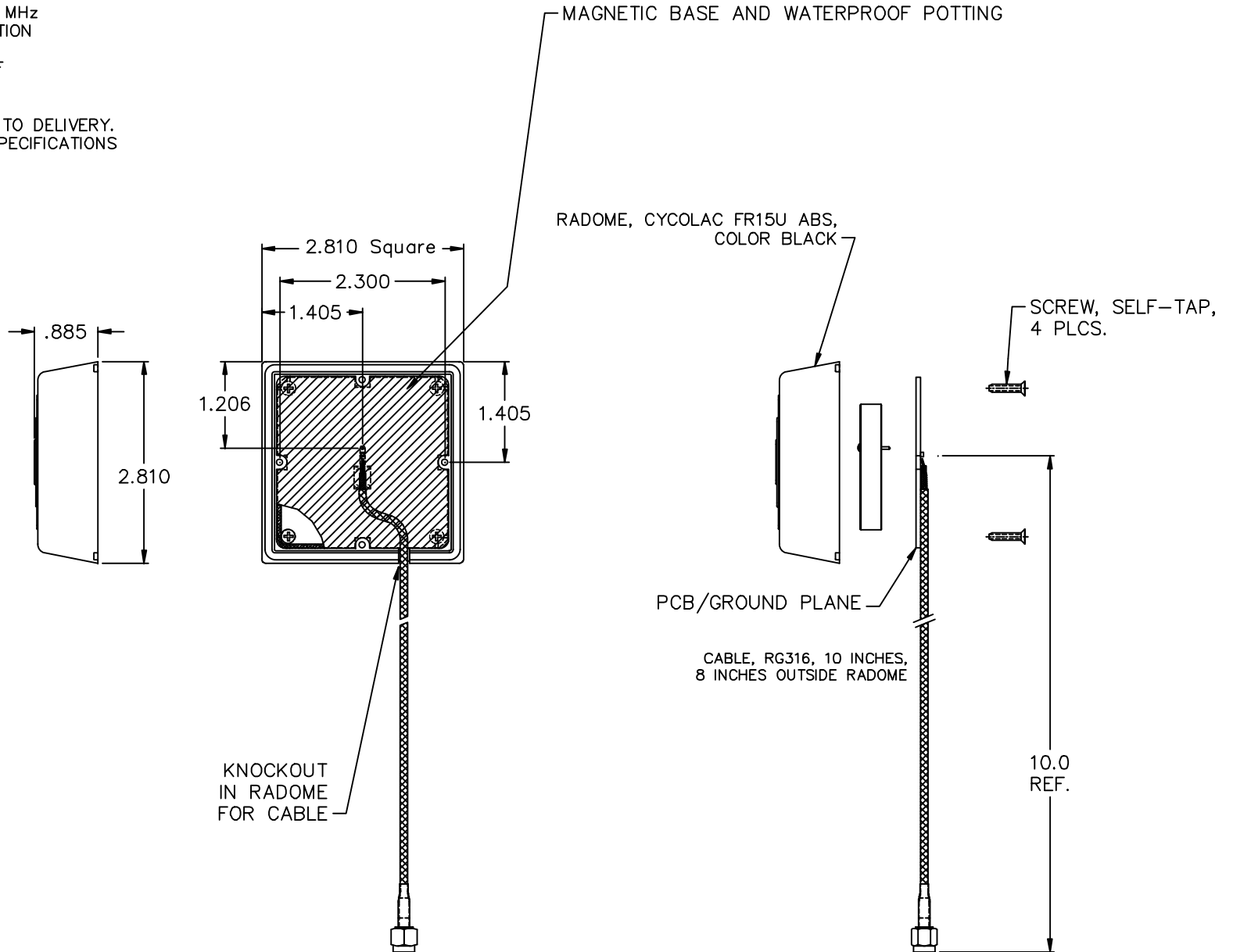
NOTES:


1. ELECTRICAL SPECIFICATIONS:

CENTER FREQUENCY = 1615±10 MHz
 LEFT HAND CIRCULAR POLARIZATION
 2:1 VSWR B.W. = 135MHz MIN.
 GAIN SHALL BE 3dBic MIN. @ CF
 A/R SHALL BE 6dB MAX. @ CF
 Z_{IN} = 50 OHMS

2. 100% ELECTRICAL TEST PRIOR TO DELIVERY.

3. FOOTPRINT AND ELECTRICAL SPECIFICATIONS ARE SUBJECT TO CHANGE.



										00	REV. NO.	UNLESS OTHERWISE SPECIFIED DIMENSIONS ARE IN INCHES. DO NOT SCALE. ⊙ THIRD ANGLE	TOLERANCES UNLESS OTHERWISE SPECIFIED Fractions ± 1/64 Dec. .xx± .01 Dec. .xxx± .005 Angles ±0° 30'	 SPECTRUM CONTROL, INC. FAIRVIEW PENNSYLVANIA	Description ASSEMBLY DRAWING AR1615CC1575XXF	
										CN 54549-ENG	CHANGE NOTICE					Dwn. KAUFFMAN Date 5-25-10 Engr. J. KRAUS Sheet 1 of 1