



Chipsmall Limited consists of a professional team with an average of over 10 year of expertise in the distribution of electronic components. Based in Hongkong, we have already established firm and mutual-benefit business relationships with customers from,Europe,America and south Asia,supplying obsolete and hard-to-find components to meet their specific needs.

With the principle of "Quality Parts,Customers Priority,Honest Operation,and Considerate Service",our business mainly focus on the distribution of electronic components. Line cards we deal with include Microchip,ALPS,ROHM,Xilinx,Pulse,ON,Everlight and Freescale. Main products comprise IC,Modules,Potentiometer,IC Socket,Relay,Connector.Our parts cover such applications as commercial,industrial, and automotives areas.

We are looking forward to setting up business relationship with you and hope to provide you with the best service and solution. Let us make a better world for our industry!



Contact us

Tel: +86-755-8981 8866 Fax: +86-755-8427 6832

Email & Skype: info@chipsmall.com Web: www.chipsmall.com

Address: A1208, Overseas Decoration Building, #122 Zhenhua RD., Futian, Shenzhen, China



Analog Rocker – AR3



DTCs Analog Rockers have been developed to provide the reliability required in demanding environmental conditions such as multifunction grips, dashboards or armrest controls for heavy duty industrial applications.

The unique sensing design makes the rocker module an ideal proportional function solution for ‘off-road’ machinery.

DTCs Analog Rockers have been designed to be integrated into standard and custom designed grips, panels and electronic controls.

Main Features

- Contactless sensing – Hall effect
- Life greater than 2 million cycles
- One sensor - optional second sensor for redundancy
- Integrated temperature compensation
- Short circuit protection

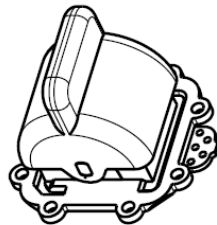
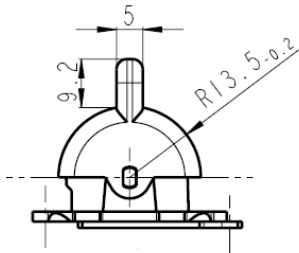
Electrical Data		
Supply Ratings	Voltage range DC current	8.5V ... 30V or 5.0 V ± 10% 50 mA at 24V
Voltage Output	Output 1 Output 2*	0.5V ... 4.5V 4.5V ... 0.5V
Total error		< 10%
Output current		max. 1 mA
Other electrical Characteristics	EMI	> 100 V/m
Mechanical Data		
Life		> 2 million cycles
Operating temperature		
- Storage		- 40°C to 85°C
- Working		- 35°C to 70°C
Operating force		4-6 N
Vertical load maximum		30 N
Protection Level		IP 65 (from above when mounted)
Rocker deflection angle		± 30°

* for redundant version

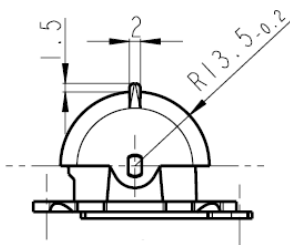
Custom modifications

- Output characteristics
- Actuator colour

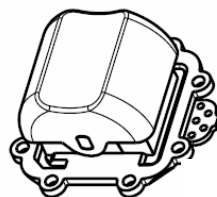
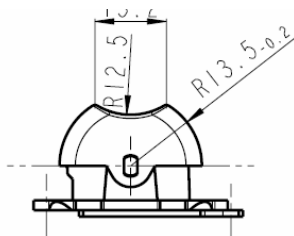
Ordering code		1	2	3	4	5	6	7	8	9
	Example	AR3S	01	GY	30/30	4N	0	V	2	00
1 Type	AR3 = analog rocker 3 S = varnished PCB N = non varnished PCB									
2 Actuator Shape	01 = long lever 02 = short lever 05 = thumb lever									
3 Actuator Colour	GY = grey									
4 Actuator Angle	30/30 = left 30° / right 30°									
5 Operation Force	4N = lever shape 01 5N = lever shape 02 6N = lever shape 05 <small>operation force depends on actuator shape</small>									
6 Electrical supply	0 = voltage 8.5 ... 30 V 1 = 5 V ± 10%									
7 Output	V = voltage									
8 Sensors	1 = 1 sensor 2 = 2 sensors (for redundancy)									
9 Output Voltage Co	00 = output 1 / 0.5V ... 4.5V; 1mA output 2 / 4.5V ... 0.5V; 1mA 02 = output 1 / 0.5V ... 4.5V; 1mA 03 = output 1 / 4.5V ... 0.5V; 1mA									



Module actuator shape 01

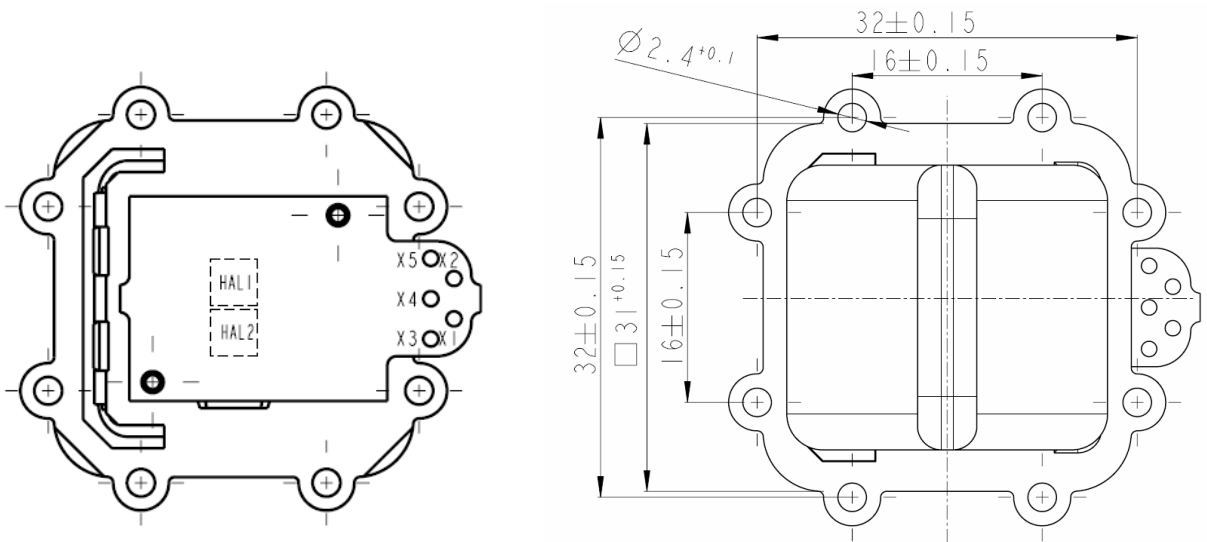
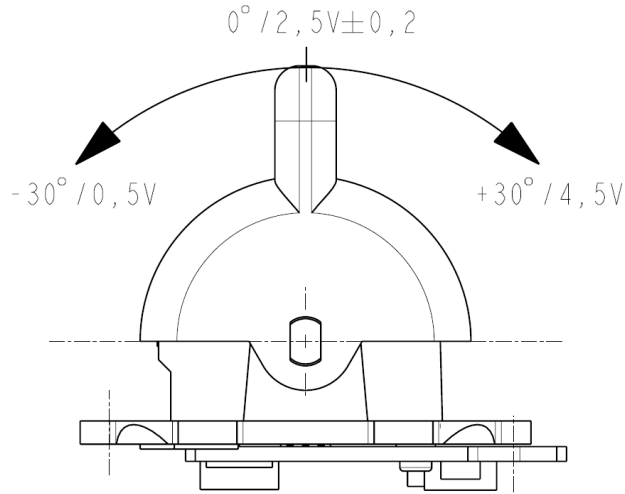


Module actuator shape 02



Module actuator shape 05

Analog Rocker – AR3



Pin assignment:

PIN	ALLOCATION	FUNCTION (8,5-30V)	FUNCTION (5V)
X5	OUT 1	OUTPUT 1 (HAL1)	OUTPUT 1 (HAL1)
X4	OUT 2	OUTPUT 2 (HAL2) *	OUTPUT 2 (HAL2) *
X3	V	RESERVED	5V ± 10%
X2	GND _{IN 1}	REFERENCE GROUND	REFERENCE GROUND
X1	U _{BAT}	VOLTAGE SUPPLY 8,5-30V	NOT CONNECTED

* FOR REDUNDANT VERSION ONLY

DeltaTech Controls – A CoActive Technologies Company - worldwide Facilities

With sales offices and manufacturing facilities located worldwide, please visit our website at www.deltatechcontrols.com for a complete listing and to find the office nearest to you.

France

2 Boulevard Michael Faraday
Arlington Square, Batiment B
Serris - F77716 Marne La Vallee Cedex 4
France
phone: + 33 160 24 51 51
fax: + 33 (0)3 84 69 08 97

Germany

Holzhauser Strasse 26-32
D-13509 Berlin
Germany
phone: + 49 30 43 999 0
fax: + 49 30 43 999 203

Hong Kong

Unit 901, West Tower
Shun Tak Center
168-200 Connaught Road
Central, Hong Kong
phone: + 852 2732 2720
fax: + 852 2732 2919

USA

5288 Valley Industrial Blvd. S
Shakopee, MN 55379
USA
phone: + 1 952 403 7418
fax: + 1 952 233 9707



No information and data contained in this publication shall be construed to create any liability on the part of DeltaTech Controls GmbH. Any new issue of this publication shall automatically invalidate and supersede any and all previous issues. Dimensions are subject to change without prior notice.

All Copyrights belong to DeltaTech Controls GmbH and CoActive Technologies.
All other trademarks or registered trademarks are property of their respective owners.
All data subject to change without notice. ©2007