



Chipsmall Limited consists of a professional team with an average of over 10 year of expertise in the distribution of electronic components. Based in Hongkong, we have already established firm and mutual-benefit business relationships with customers from,Europe,America and south Asia,supplying obsolete and hard-to-find components to meet their specific needs.

With the principle of “Quality Parts,Customers Priority,Honest Operation,and Considerate Service”,our business mainly focus on the distribution of electronic components. Line cards we deal with include Microchip,ALPS,ROHM,Xilinx,Pulse,ON,Everlight and Freescale. Main products comprise IC,Modules,Potentiometer,IC Socket,Relay,Connector.Our parts cover such applications as commercial,industrial, and automotives areas.

We are looking forward to setting up business relationship with you and hope to provide you with the best service and solution. Let us make a better world for our industry!



Contact us

Tel: +86-755-8981 8866 Fax: +86-755-8427 6832

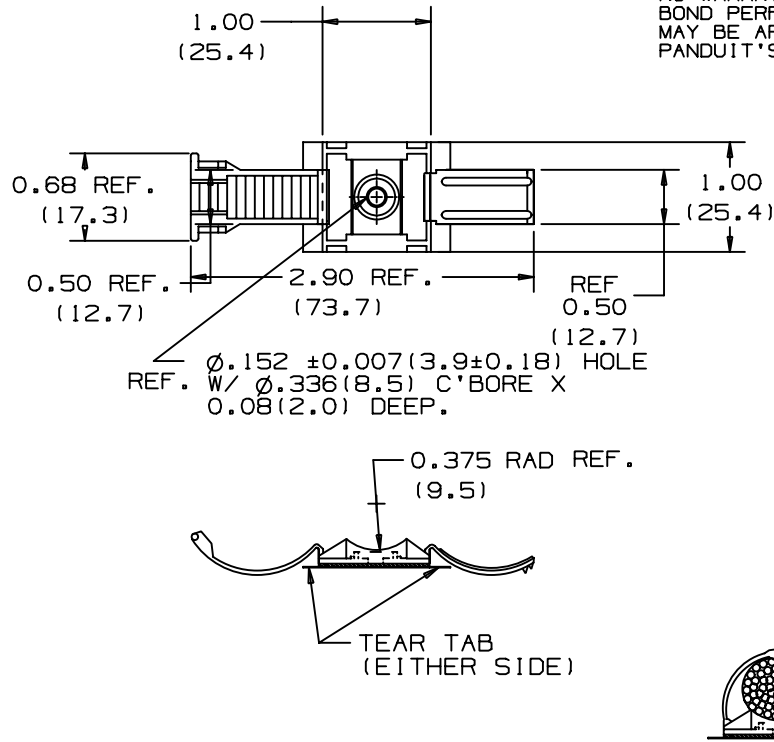
Email & Skype: info@chipsmall.com Web: www.chipsmall.com

Address: A1208, Overseas Decoration Building, #122 Zhenhua RD., Futian, Shenzhen, China



THIS COPY IS PROVIDED ON A RESTRICTED BASIS AND IS NOT TO BE USED IN ANY WAY DETRIMENTAL TO THE INTERESTS OF PANDUIT CORP.

NO WARRANTY EXPRESSED, OR IMPLIED, IS MADE BY PANDUIT WITH RESPECT TO ADHESIVE BOND PERFORMANCE. AMONG OTHER THINGS, THE CONDITIONS UNDER WHICH THESE MOUNTS MAY BE APPLIED AND/OR THE SURFACE TO WHICH THEY MAY BE APPLIED ARE BEYOND PANDUIT'S CONTROL.



PANDUIT PART NUMBER	BUNDLE DIA.		RECM. OPTIONAL FASTENER	WEIGHT lbs/100 (g)/PC'S
	MIN. IN. (MM)	MAX. IN. (MM)		
ARC.68-A	0.19 (4.8)	0.68 (17.3)	-----	0.42 (194)
ARC.68-S6			#6(M3) FHCS OR BHSC	0.38 (177)

NOTES:

- 1) SEE CURRENT PRICE SHEET FOR PART NUMBER SUFFIX DESIGNATION FOR PACKAGE SIZE AND PART COLOR.
- 2) TO APPLY MOUNTS: a) REMOVE PROTECTIVE LINER; b) PLACE IN DESIRED LOCATION; c) APPLY PRESSURE TO TOP SURFACE OF MOUNT.

ADHESIVE TAPE--PRESSURE SENSITIVE FOAM 0.040(1.02) THICK WITH PROTECTIVE LINER. MOUNT IS DESIGNED TO SUPPORT 0.50 lb.(227g) MAX. WEIGHT ON A CLEAN, DRY, SMOOTH SURFACE.

(DIMENSIONS IN PARENTHESES ARE IN METRIC.)

CAD FILENAME/LAYERS

Ⓔ G00239H0_P1_ARC.68_00

PANDUIT

CORP. TINLEY PARK, ILLINOIS

ARC.68
ADJUSTABLE RELEASABLE CLAMP

UNLESS OTHERWISE SPECIFIED,
DIMENSIONAL TOLERANCES ARE:
(.X) ± 0.1(2.5) (.XXX) ± 0.020(.5)
(.XX) ± 0.05(1.3) ANGLES ± 5°

UNLESS OTHERWISE SPECIFIED,
ALL DIMENSIONS ARE GIVEN
IN INCHES, THIRD ANGLE PROJECTION.

REV	DATE	BY	CHK	DESCRIPTION	ECN	R	CUST	SUP
I	7/30/01	JAD		REVISED FOR TEAR TAB ON EITHER SIDE	GB0237HO	I		
R	6/13/01	LGG		CHANGED DRAWING FROM SS-6770(RV 11)	GB0237HO	R		

DRAWN BY
LGG
DATE
6/13/01
CHK'D

MAT'L:
POLYPROPYLENE

SCALE NONE
DRAWING NO.
GB0239H0

DWG
A
SIZE