



Chipsmall Limited consists of a professional team with an average of over 10 year of expertise in the distribution of electronic components. Based in Hongkong, we have already established firm and mutual-benefit business relationships with customers from,Europe,America and south Asia,supplying obsolete and hard-to-find components to meet their specific needs.

With the principle of “Quality Parts,Customers Priority,Honest Operation,and Considerate Service”,our business mainly focus on the distribution of electronic components. Line cards we deal with include Microchip,ALPS,ROHM,Xilinx,Pulse,ON,Everlight and Freescale. Main products comprise IC,Modules,Potentiometer,IC Socket,Relay,Connector.Our parts cover such applications as commercial,industrial, and automotives areas.

We are looking forward to setting up business relationship with you and hope to provide you with the best service and solution. Let us make a better world for our industry!



## Contact us

Tel: +86-755-8981 8866 Fax: +86-755-8427 6832

Email & Skype: info@chipsmall.com Web: www.chipsmall.com

Address: A1208, Overseas Decoration Building, #122 Zhenhua RD., Futian, Shenzhen, China



# RJ45 1000 Base-T Single Port, PoE++, w/ LEDs, Extend Temp

**ARJ-139**

**RoHS/RoHS II Compliant**



16.6 x 13.5 x 33.6 mm

## FEATURES:

- Compliant with IEEE802.3 standard
- Designed for Network Interface Cards(NIC), LAN-on-Motherboard(LOM)
- High performance for maximum EMI suppression
- 350μH minimum OCL with 8mA bias current
- RoHS peak wave solder temperature 260°C

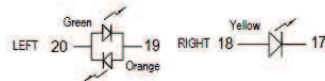
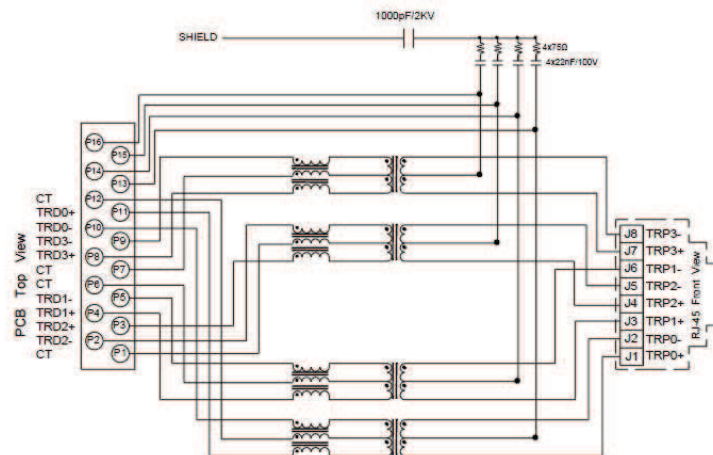
## APPLICATIONS:

- Support 1000 Base-T applications w/ Bi-Color LEDs
- PoE++(max 1A) with Extended Temperature (-40°C~85°C)
- Applicable for Ethernet Switch, Servers, & Access Point Routers
- Provides signal conditioning, EMI suppression and signal isolation

## STANDARD SPECIFICATIONS

Parameters	Minimum	Typical	Maximum	Units	Notes
Operating Temperature	-40		+85	°C	
Storage Temperature	-40		+85	°C	
Turn Ratio (± 5%)	1CT:1CT				Tx
	1CT:1CT				Rx
Inductance (OCL)	350			μH	100KHz/0.1V@8mA
Insertion Loss		-1.0		dB	1-100MHz
Return Loss	-20			dB	1-10MHz
	-16				30MHz
	-12				60-80MHz
Cross Talk		-40		dB	1-10MHz
		-35			32-65MHz
		-30			65-100MHz
CMR		-30		dB	1-125MHz
		-20			125-500MHz
PoE Current Capacity		720	1000	mA	@ 57V
Hi-Pot	1500Vrms/0.5mA/2Sec				Pri to Sec

## SCHEMATICS



Standard LED	Wavelength	Forward* V(MAX)	TYP
Green	565nm	2.5v	2.2v
Yellow	585nm	2.5v	2.1v
Orange	610nm	2.5v	2.1v

With a forward current of 20mA

ABRACON IS  
ISO 9001:2008  
CERTIFIED



2 Faraday, Suite# B | Irvine | CA 92618 **Revised: 07.01.15**  
Ph. 949.546.8000 | Fax. 949.546.8001  
Visit [www.abracon.com](http://www.abracon.com) for Terms and Conditions of Sale



# RJ45 1000 Base-T Single Port, PoE++, w/ LEDs, Extend Temp

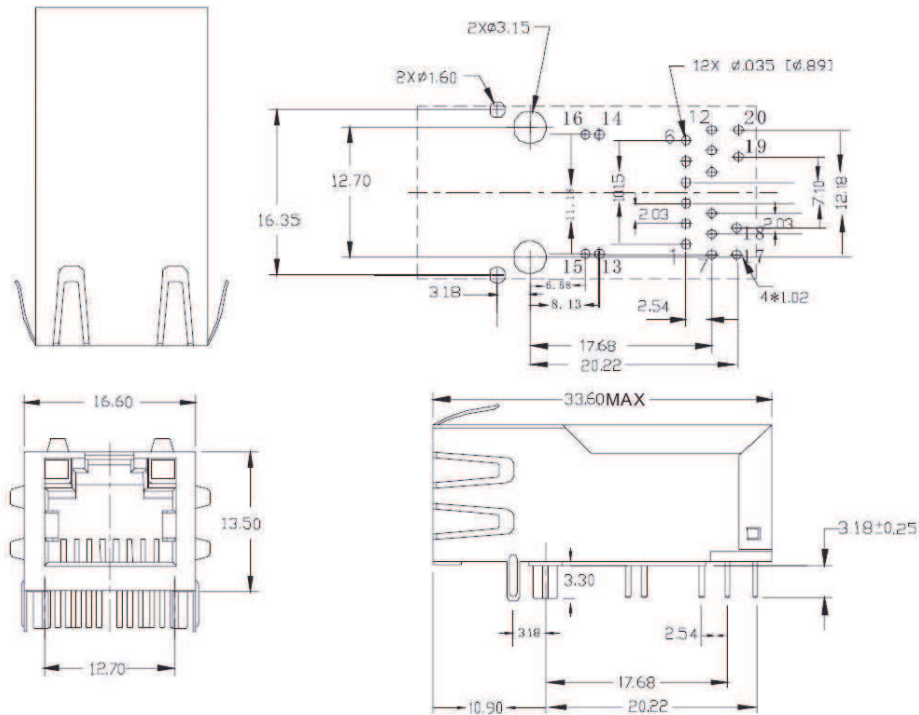
**ARJ-139**

**RoHS/RoHS II Compliant**



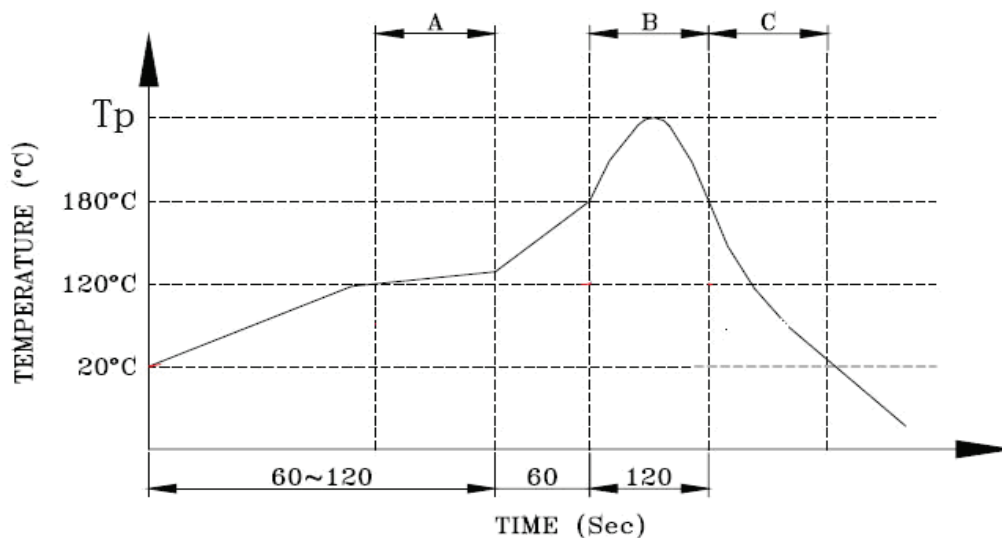
16.6 x 13.5 x 33.6 mm

## MECHANICAL DIMENSIONS



Dimensions: mm (Unless otherwise specified, all tolerances are  $\pm 0.25$ )

## WAVE SOLDERING PROFILE



— PIN TEMPERATURE

A. Preheating B. Soldering C. Gradual Cooling

Peak temperature ( $T_p$ ) :  $250 \pm 10^\circ\text{C}$

Peak temperature ( $T_p$ ) time : 5sec max

# RJ45 1000 Base-T Single Port, PoE++, w/ LEDs, Extend Temp

**ARJ-139**

**RoHS/RoHS II Compliant**

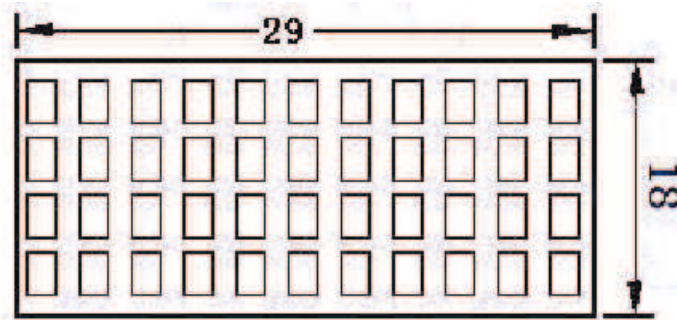


16.6 x 13.5 x 33.6 mm

## PACKING:

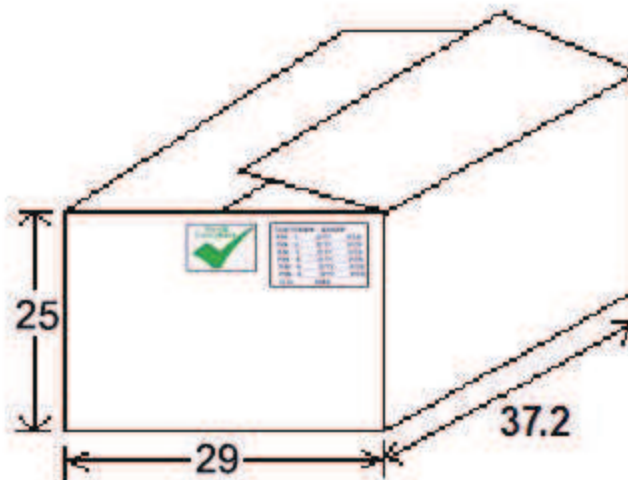
**Packaging: (40pcs/tray) MOQ = 1000pcs**

**Packaging Material: PET**



Unit=cm

**Outer carton unit (optional): 800 pcs/ 20 Trays/box**



Dimensions: cm

**ATTENTION:** Abracon Corporation's products are COTS – Commercial-Off-The-Shelf products; suitable for Commercial, Industrial and, where designated, Automotive Applications. Abracon's products are not specifically designed for Military, Aviation, Aerospace, Life-dependant Medical applications or any application requiring high reliability where component failure could result in loss of life and/or property. For applications requiring high reliability and/or presenting an extreme operating environment, written consent and authorization from Abracon Corporation is required. Please contact Abracon Corporation for more information.

ABRACON IS  
ISO 9001:2008  
CERTIFIED



2 Faraday, Suite# B | Irvine | CA 92618 **Revised: 07.01.15**

Ph. 949.546.8000 | Fax. 949.546.8001

Visit [www.abracon.com](http://www.abracon.com) for Terms and Conditions of Sale