



Chipsmall Limited consists of a professional team with an average of over 10 year of expertise in the distribution of electronic components. Based in Hongkong, we have already established firm and mutual-benefit business relationships with customers from,Europe,America and south Asia,supplying obsolete and hard-to-find components to meet their specific needs.

With the principle of "Quality Parts,Customers Priority,Honest Operation,and Considerate Service",our business mainly focus on the distribution of electronic components. Line cards we deal with include Microchip,ALPS,ROHM,Xilinx,Pulse,ON,Everlight and Freescale. Main products comprise IC,Modules,Potentiometer,IC Socket,Relay,Connector.Our parts cover such applications as commercial,industrial, and automotives areas.

We are looking forward to setting up business relationship with you and hope to provide you with the best service and solution. Let us make a better world for our industry!



Contact us

Tel: +86-755-8981 8866 Fax: +86-755-8427 6832

Email & Skype: info@chipsmall.com Web: www.chipsmall.com

Address: A1208, Overseas Decoration Building, #122 Zhenhua RD., Futian, Shenzhen, China



RJ45 1000 Base-T Jack with Magnetic Module and PoE

ARJ-146

RoHS/RoHS II Compliant



16.60 x 13.50 x 32.60mm

FEATURES:

- Compliant with IEEE802.3af standard
- 350uH minimum OCL with 8mA bias current
- High performance for maximum EMI suppression
- 15W, 350mA, 48V PoE Rating
- Enhanced reliability – 5000 mating/unmating cycles

APPLICATIONS:

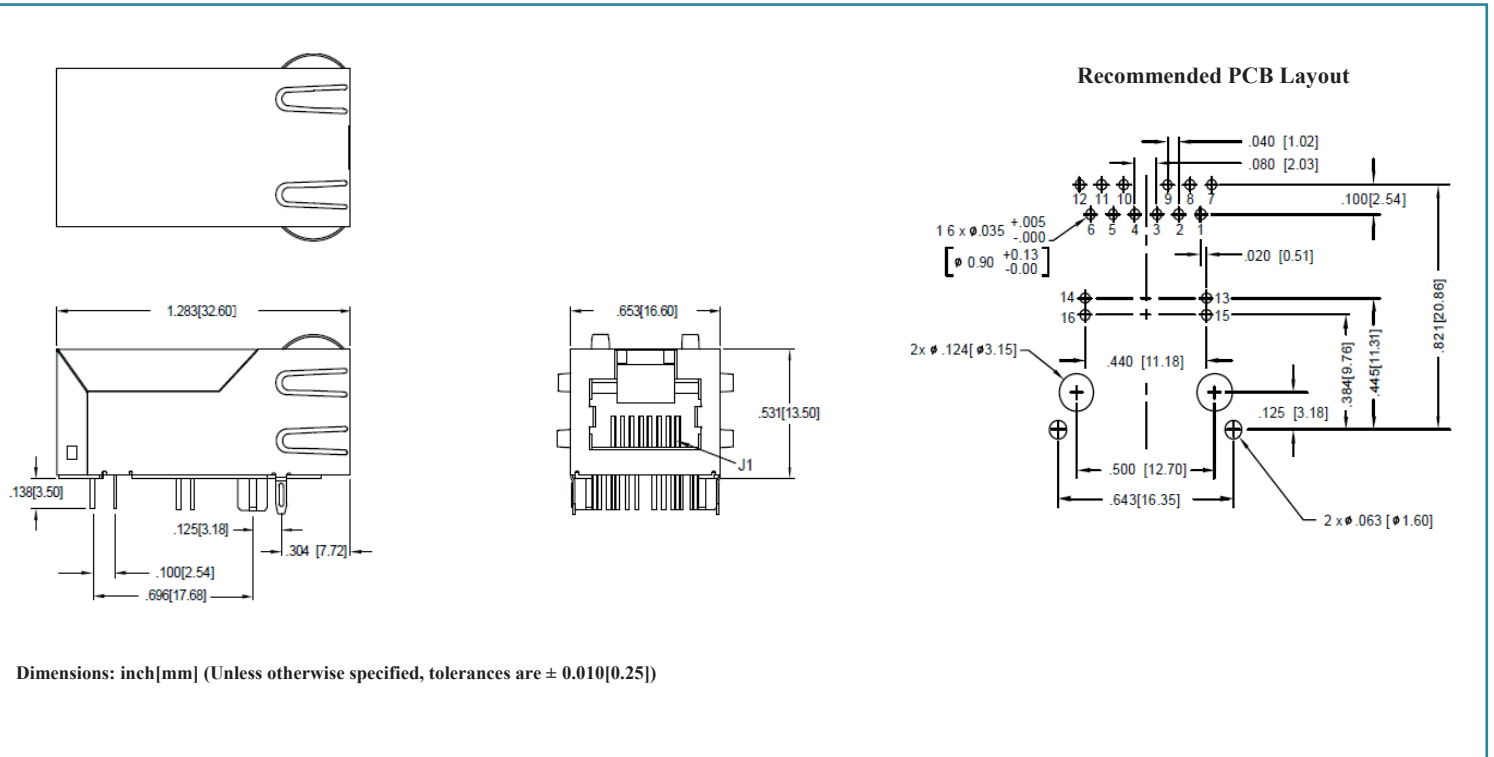
- Designed for most leading PHY IC manufacturers such as Broadcom, Marvell, Microsemi.
- Single port connector for PoE applications
- 1000 Base-T LAN
- NIC, LoM and PC

STANDARD SPECIFICATIONS at 25°C

Operating temperature range: 0°C to +70°C Storage temperature range: -40°C to +85°C

Parameters	Minimum	Typical	Maximum	Units	Notes
Turn Ratio (±3%)	1CT:1CT				
Inductance	350			uH	100kHz/0.1V@8mA (4 Channels)
Insertion Loss			-1.2	dB	0.1-80MHz
Return Loss	-19			dB	1-30MHz
	-13				30-60MHz
	-12				60-80MHz
	-10				80-100MHz
Crosstalk		-33+20log(f/50MHz)		dB	1-100MHz
CMR		-30		dB	0.03-100MHz
High Pot	1500Vrms/0.5mA/1Sec				
PoE Rating	15W, 350mA, 48V				

MECHANICAL DIMENSIONS



RJ45 1000 Base-T Jack with Magnetic Module and PoE

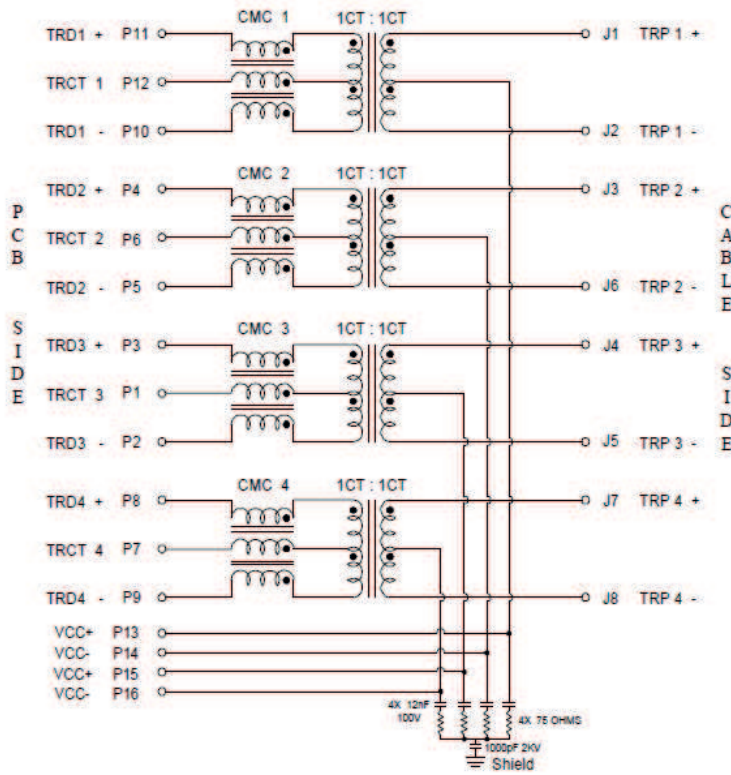
ARJ-146

RoHS/RoHS II Compliant

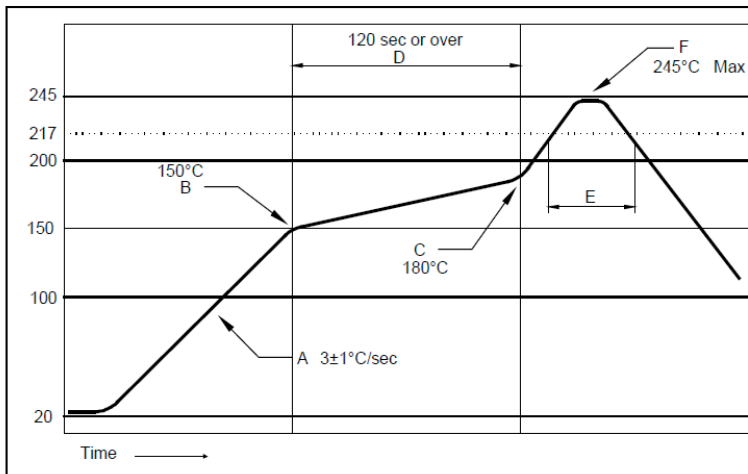


16.60 x 13.50 x 32.60mm

SCHEMATICS



REFLOW PROFILE:



Contents	Soldering Condition
A: Increasing speed	3±1°C/sec
B: Pre-heat starting Temp	150°C
C: Pre-heat ending Temp	180°C
D: Pre-heat interval	120 sec or over
E: Over 217°C time	60~150 sec
F: Peak Temperature	245°C Max

Packing: 120pcs/tray

ATTENTION: Abracon Corporation's products are COTS – Commercial-Off-The-Shelf products; suitable for Commercial, Industrial and, where designated, Automotive Applications. Abracon's products are not specifically designed for Military, Aviation, Aerospace, Life-dependant Medical applications or any application requiring high reliability where component failure could result in loss of life and/or property. For applications requiring high reliability and/or presenting an extreme operating environment, written consent and authorization from Abracon Corporation is required. Please contact Abracon Corporation for more information.

ABRACON IS
ISO 9001:2008
CERTIFIED



Visit www.abracon.com for Terms & Conditions of Sale
30332 Esperanza, Rancho Santa Margarita, California 92688
tel 949-546-8000 | fax 949-546-8001 | www.abracon.com

Revised: 05.07.13