



Chipsmall Limited consists of a professional team with an average of over 10 year of expertise in the distribution of electronic components. Based in Hongkong, we have already established firm and mutual-benefit business relationships with customers from,Europe,America and south Asia,supplying obsolete and hard-to-find components to meet their specific needs.

With the principle of “Quality Parts,Customers Priority,Honest Operation,and Considerate Service”,our business mainly focus on the distribution of electronic components. Line cards we deal with include Microchip,ALPS,ROHM,Xilinx,Pulse,ON,Everlight and Freescale. Main products comprise IC,Modules,Potentiometer,IC Socket,Relay,Connector.Our parts cover such applications as commercial,industrial, and automotives areas.

We are looking forward to setting up business relationship with you and hope to provide you with the best service and solution. Let us make a better world for our industry!



## Contact us

Tel: +86-755-8981 8866 Fax: +86-755-8427 6832

Email & Skype: info@chipsmall.com Web: www.chipsmall.com

Address: A1208, Overseas Decoration Building, #122 Zhenhua RD., Futian, Shenzhen, China



# RJ45 1000Base-T, 1X2, Tab Up w/ LEDs (Green, Green), Extended Temperature

**ARJ-202C**

**RoHS/RoHS II Compliant**



31.20 x 13.55 x 25.45mm

## FEATURES:

- Compliant with IEEE802.3 standard
- Tab up RJ45 Jack 1 X 2
- High performance for maximum EMI suppression
- 350 $\mu$ H minimum OCL with 8mA bias current
- RoHS peak wave solder temperature 260°C

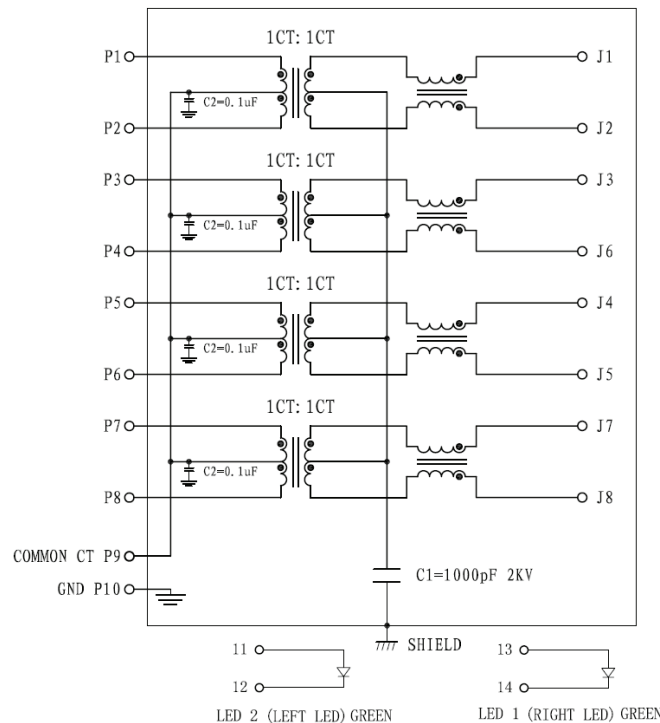
## APPLICATIONS:

- Support 1000 Base-T AutoMDIX application with LEDs
- Wide temperature range(-25°C~70°C)
- Ethernet Switches, Hubs, LAN-on-Motherboard(LOM) and ADSL
- Suitable CAT 3, 5e & 6 cable and UTP
- Provides signal conditioning, EMI suppression and signal isolation

## STANDARD SPECIFICATIONS

Parameters	Minimum	Typical	Maximum	Units	Notes
Operating Temperature	-40		+85	°C	
Storage Temperature	-40		+85	°C	
Turn Ratio ( $\pm 3\%$ )	1CT:1CT				Tx
	1CT:1CT				Rx
Inductance (OCL)	350			$\mu$ H	100KHz/0.1V@8mA
Insertion Loss			-1.0	dB	1-100MHz
Return Loss	-18			dB	1-10MHz
	-16				10-30MHz
	-14				30-60MHz
	-12				60-80MHz
	-10				80-100MHz
Cross Talk	-40			dB	1-30MHz
	-35				30-60MHz
	-30				60-100MHz
CMR	-35			dB	1-100MHz
Hi-Pot	1500Vrms/1mA/1Sec				Pri to Sec

## SCHEMATICS



ABRACON IS  
ISO 9001:2008  
CERTIFIED

**ABRACON**  
The Power of Linking Together

2 Faraday, Suite# B | Irvine | CA 92618 Revised: 07.23.15  
Ph. 949.546.8000 | Fax. 949.546.8001  
Visit [www.abracon.com](http://www.abracon.com) for Terms and Conditions of Sale

# RJ45 1000Base-T, 1X2, Tab Up w/ LEDs (Green, Green), Extended Temperature

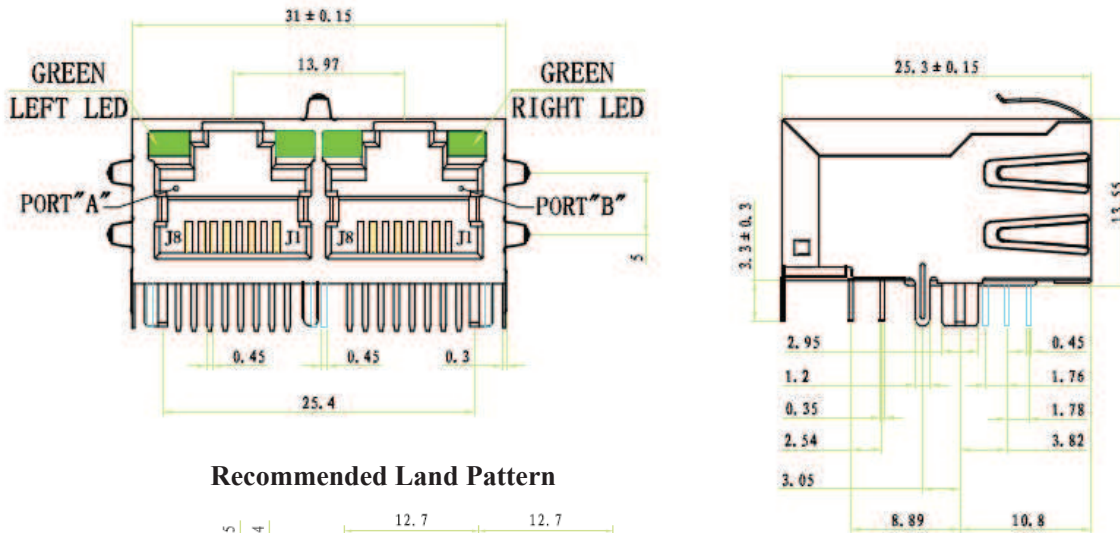
**ARJ-202C**

**RoHS/RoHS II Compliant**



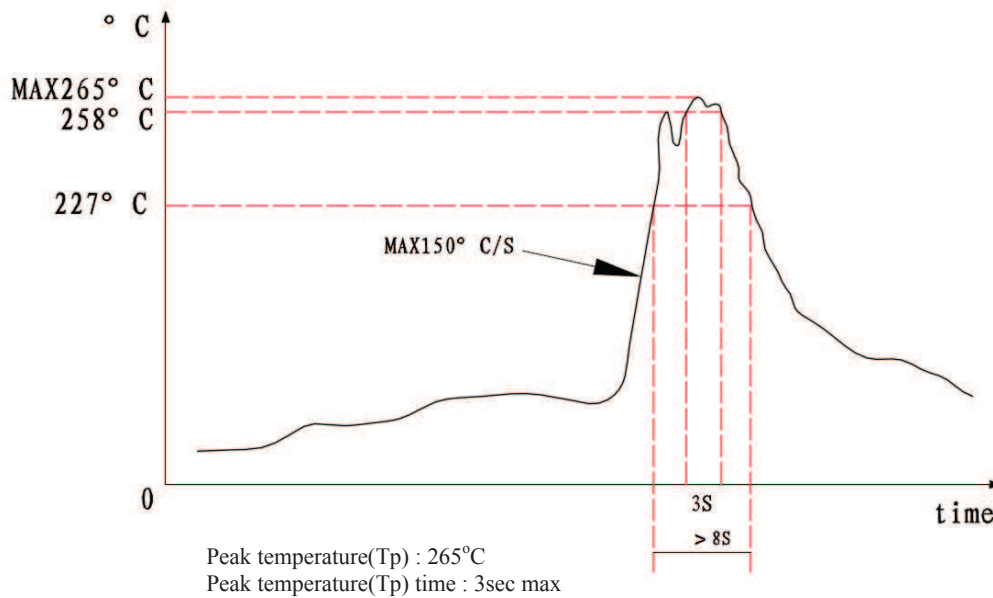
31.20 x 13.55 x 25.45mm

## MECHANICAL DIMENSIONS



Dimensions: mm

## DIP WAVE SOLDERING PROFILE



# RJ45 1000Base-T, 1X2, Tab Up w/ LEDs (Green, Green), Extended Temperature

**ARJ-202C**

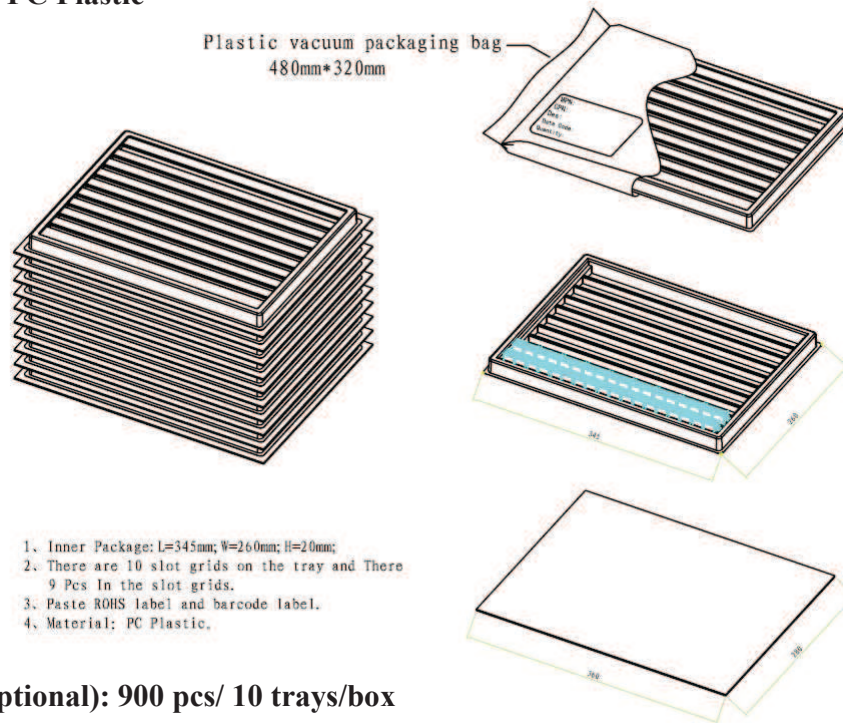
**RoHS/RoHS II Compliant**



31.20 x 13.55 x 25.45mm

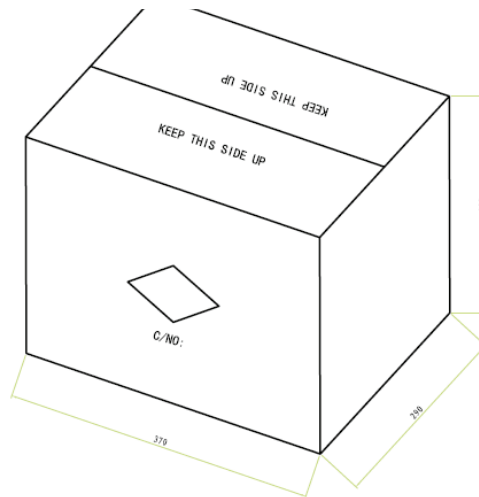
## PACKING:

**Packing:** 90 pcs/tray  
**Weight:** 12.75 grams/pcs  
**Packaging Material:** PC Plastic



1. Inner Package: L=345mm; W=260mm; H=20mm;
2. There are 10 slot grids on the tray and There 9 Pcs In the slot grids.
3. Paste ROHS label and barcode label.
4. Material: PC Plastic.

**Outer carton unit (optional): 900 pcs/ 10 trays/box**



1. Package Box : L=370mm; W=290; H=300mm;
2. Package Box contain 10 PCS inner package Trays.
3. Material: US CARD+kraft papers.
4. There are 900 Pcs products in the Package Box.

**Dimensions: cm**

**ATTENTION:** Abracon Corporation's products are COTS – Commercial-Off-The-Shelf products; suitable for Commercial, Industrial and, where designated, Automotive Applications. Abracon's products are not specifically designed for Military, Aviation, Aerospace, Life-dependant Medical applications or any application requiring high reliability where component failure could result in loss of life and/or property. For applications requiring high reliability and/or presenting an extreme operating environment, written consent and authorization from Abracon Corporation is required. Please contact Abracon Corporation for more information.

ABRACON IS  
ISO 9001:2008  
CERTIFIED



2 Faraday, Suite# B | Irvine | CA 92618 **Revised: 07.23.15**

Ph. 949.546.8000 | Fax. 949.546.8001

Visit [www.abracon.com](http://www.abracon.com) for Terms and Conditions of Sale