



Chipsmall Limited consists of a professional team with an average of over 10 year of expertise in the distribution of electronic components. Based in Hongkong, we have already established firm and mutual-benefit business relationships with customers from,Europe,America and south Asia,supplying obsolete and hard-to-find components to meet their specific needs.

With the principle of “Quality Parts,Customers Priority,Honest Operation,and Considerate Service”,our business mainly focus on the distribution of electronic components. Line cards we deal with include Microchip,ALPS,ROHM,Xilinx,Pulse,ON,Everlight and Freescale. Main products comprise IC,Modules,Potentiometer,IC Socket,Relay,Connector.Our parts cover such applications as commercial,industrial, and automotives areas.

We are looking forward to setting up business relationship with you and hope to provide you with the best service and solution. Let us make a better world for our industry!



## Contact us

Tel: +86-755-8981 8866 Fax: +86-755-8427 6832

Email & Skype: info@chipsmall.com Web: www.chipsmall.com

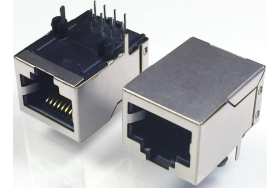
Address: A1208, Overseas Decoration Building, #122 Zhenhua RD., Futian, Shenzhen, China



# RJ45 Jack, Right Angle, Tab Down, Shielded, 8P8C

ARJ012-110553

RoHS/RoHS II Compliant



15.88 x 13.45 x 21.27mm

## FEATURES:

- 8P8C standard DIP Jack
- Compliant with IEEE802.3 standard
- High performance for maximum EMI suppression
- High reliability 750 mating/unmating cycles

## APPLICATIONS:

- Designed for most leading PHY IC manufacturers such as Broadcom, Marvell, Microsemi.
- Side entry with wide temperature range(-40°C~85°C)
- Applicable for Ethernet Switch, Servers, & Access Point Routers

## STANDARD SPECIFICATIONS

**Operating temperature range: -40°C to +85°C Storage temperature range: -40°C to +85°C**

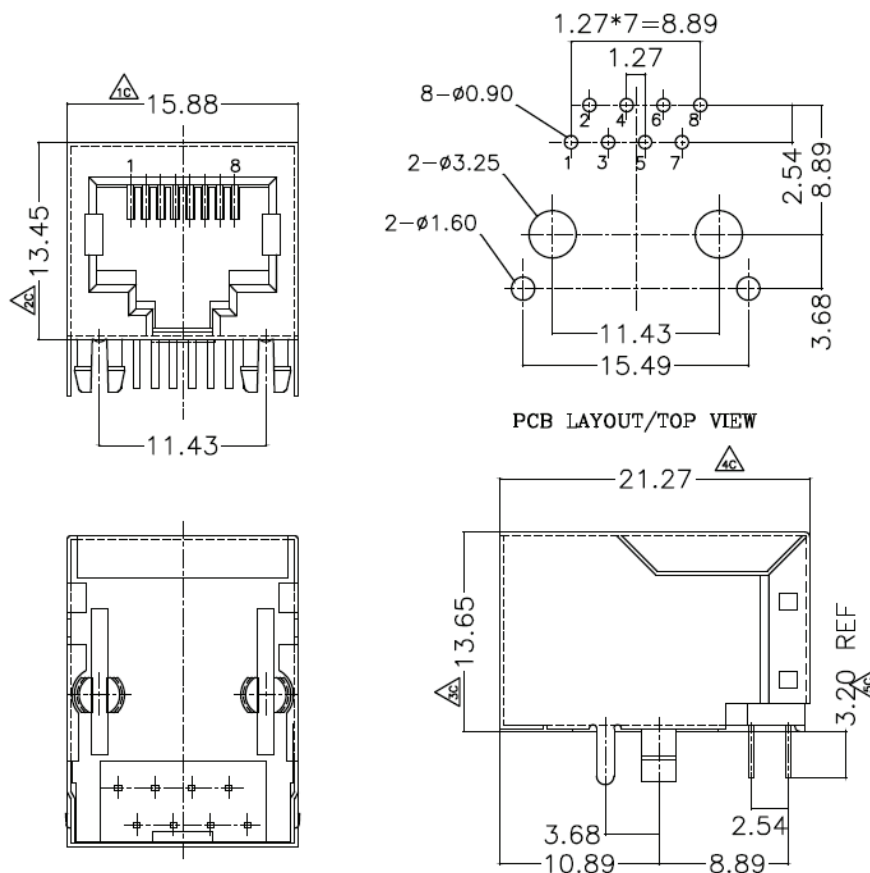
### Standard Electrical Specifications

**Voltage Rating: 125 Vac RMS**  
**Current Rating: 1.5 Amp**  
**Contact Resistance: 40 mΩ Max**  
**Insulation resistance: 1000 MΩ Min @500 Vdc**  
**Dielectric strength: 1000Vac RMS @50 or 60Hz, 1Min**

### Standard Mechanical Specifications

**Mating/Unmating force: 2.2kgF max**  
**Retention strength: 7.7kgF min between jack and plug**  
**Operating life: 750 cycles min**

## MECHANICAL DIMENSIONS



Dimensions: mm

ABRACON IS  
ISO 9001:2008  
CERTIFIED

 **ABRACON**<sup>®</sup>  
The Power of Linking Together LLC

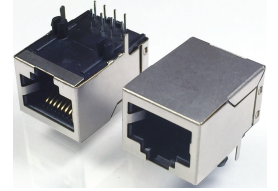
2 Faraday, Suite# B | Irvine | CA 92618 Revised: 11.17.15  
Ph. 949.546.8000 | Fax. 949.546.8001  
Visit [www.abracon.com](http://www.abracon.com) for Terms and Conditions of Sale



# RJ45 Jack, Right Angle, Tab Down, Shielded, 8P8C

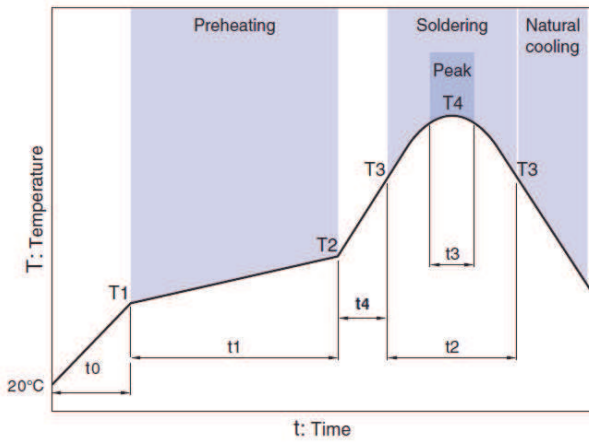
ARJ012-110553

RoHS/RoHS II Compliant



15.88 x 13.45 x 21.27mm

## DIP WAVE SOLDERING CURVE



Preheating		Soldering		Peak				
Temp.	Time	Temp.	Time	Temp.	Time			
T1	T2	t0	t1	t4	T3	t2	T4	t3
100°C	150°C	30 to 60s	30 to 120s	30 to 60s	200°C	30s	230°C	5s

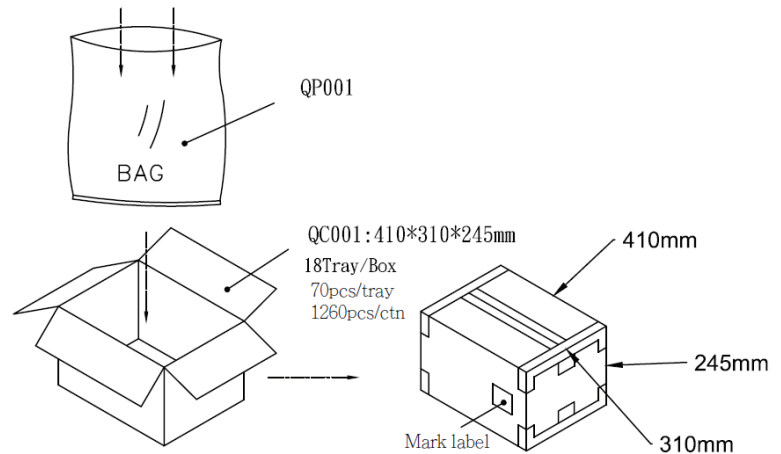
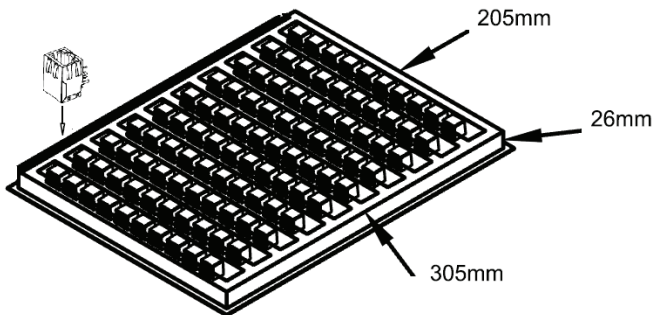
Profile Feature	Pb-Free Assembly
Preheat	
-Temperature Min	100°C
-Temperature Max	200°C
-Time (min to max)	60-120 seconds
Time maintained above:	
-Temperature	200°C
-Time	30 seconds
Peak/Classification Temperature	230±5°C
Time within 230±5°C of actual Peak Temperature	5 seconds
Time 25°C to Peak Temperature	4 minutes 30 sec. max.

## PACKAGING:

**Packing:** (70pcs/tray) **MOQ:** 560pcs  
**Weight:** 5.80 grams/pcs

**Packaging material:** PET

**Outer carton unit(optional):**1260pcs/ 18trays/box,  
**Gross Weight:** 9.2kg



**Dimensions: mm**

**ATTENTION:** Abracon Corporation's products are COTS – Commercial-Off-The-Shelf products; suitable for Commercial, Industrial and, where designated, Automotive Applications. Abracon's products are not specifically designed for Military, Aviation, Aerospace, Life-dependant Medical applications or any application requiring high reliability where component failure could result in loss of life and/or property. For applications requiring high reliability and/or presenting an extreme operating environment, written consent and authorization from Abracon Corporation is required. Please contact Abracon Corporation for more information.

ABRACON IS  
 ISO 9001:2008  
 CERTIFIED



2 Faraday, Suite# B | Irvine | CA 92618 **Revised: 11.17.15**  
 Ph. 949.546.8000 | Fax. 949.546.8001  
 Visit [www.abracon.com](http://www.abracon.com) for Terms and Conditions of Sale