



Chipsmall Limited consists of a professional team with an average of over 10 year of expertise in the distribution of electronic components. Based in Hongkong, we have already established firm and mutual-benefit business relationships with customers from,Europe,America and south Asia,supplying obsolete and hard-to-find components to meet their specific needs.

With the principle of "Quality Parts,Customers Priority,Honest Operation,and Considerate Service",our business mainly focus on the distribution of electronic components. Line cards we deal with include Microchip,ALPS,ROHM,Xilinx,Pulse,ON,Everlight and Freescale. Main products comprise IC,Modules,Potentiometer,IC Socket,Relay,Connector.Our parts cover such applications as commercial,industrial, and automotives areas.

We are looking forward to setting up business relationship with you and hope to provide you with the best service and solution. Let us make a better world for our industry!



Contact us

Tel: +86-755-8981 8866 Fax: +86-755-8427 6832

Email & Skype: info@chipsmall.com Web: www.chipsmall.com

Address: A1208, Overseas Decoration Building, #122 Zhenhua RD., Futian, Shenzhen, China



RJ45 Jack, 45 Degree Entry, Shielded, 8P8C

ARJ045-010156

RoHS/RoHS II Compliant



17.40 x 15.20 x 21.32mm

FEATURES:

- 8P8C standard DIP Jack
- Compliant with IEEE802.3 standard
- High performance for maximum EMI suppression
- High reliability 750 mating/unmating cycles

APPLICATIONS:

- Designed for most leading PHY IC manufacturers such as Broadcom, Marvell, Microsemi.
- Side entry with wide temperature range(-40°C~85°C)
- Applicable for Ethernet Switch, Servers, & Access Point Routers

STANDARD SPECIFICATIONS

Operating temperature range: -40°C to +85°C Storage temperature range: -40°C to +85°C

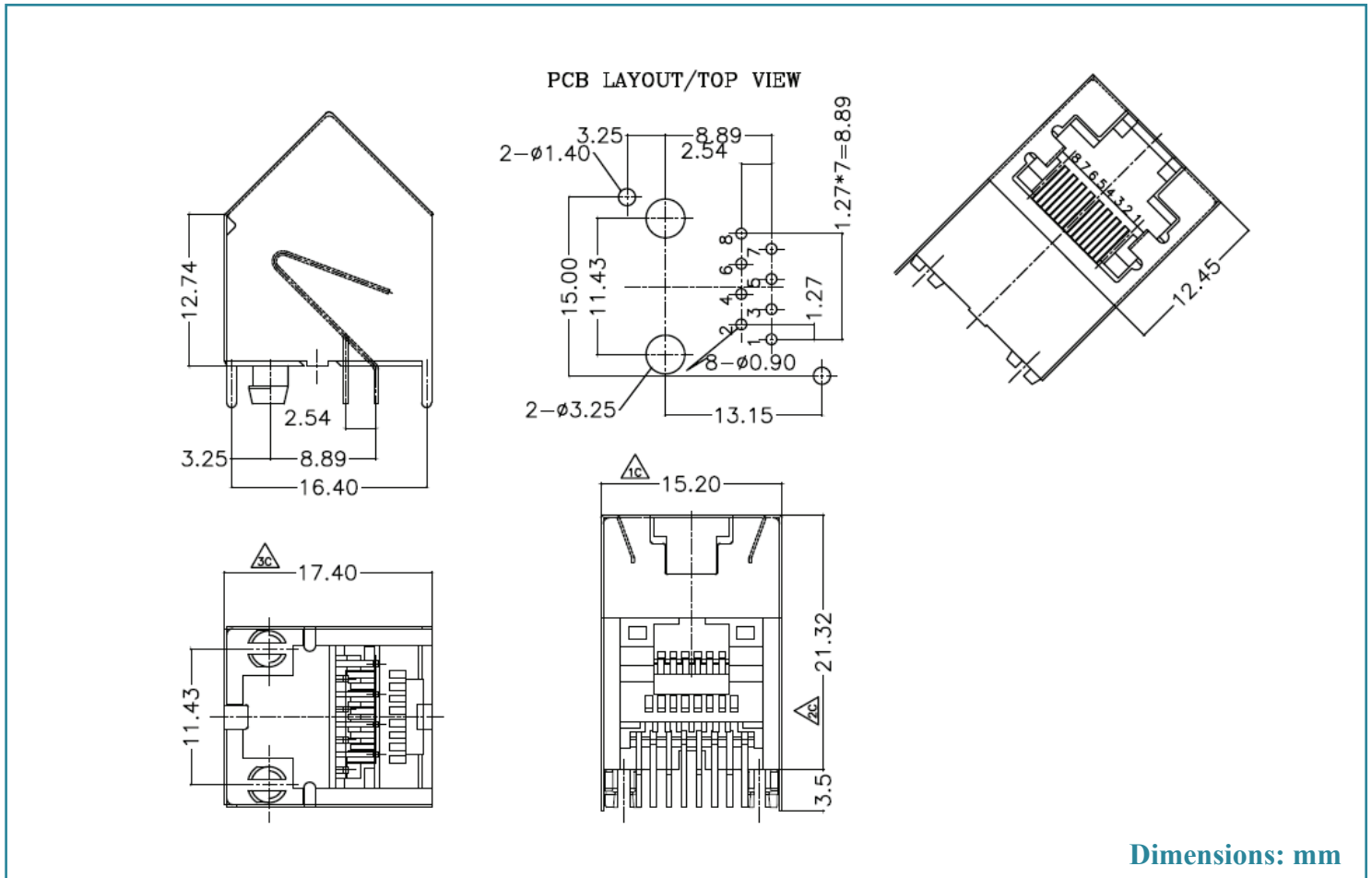
Standard Electrical Specifications

Voltage Rating: 125 Vac RMS
Current Rating: 1.5 Amp
Contact Resistance: 40 mΩ Max
Insulation resistance: 1000 MΩ Min @500 Vdc
Dielectric strength: 1000Vac RMS @50 or 60Hz, 1Min

Standard Mechanical Specifications

Mating/Unmating force: 2.2kgF max
Retention strength: 7.7kgF min between jack and plug
Operating life: 750 cycles min

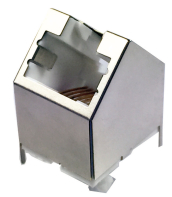
MECHANICAL DIMENSIONS



RJ45 Jack, 45 Degree Entry, Shielded, 8P8C

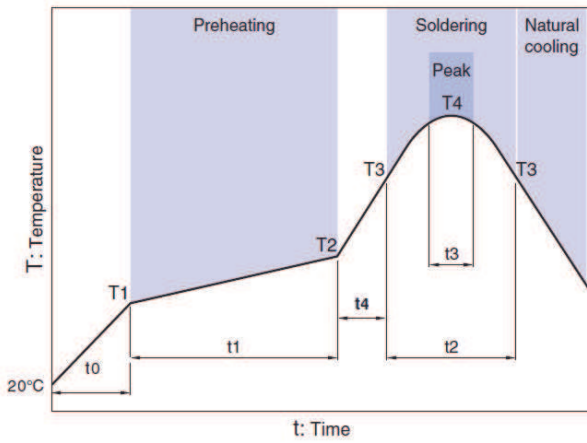
ARJ045-010156

RoHS/RoHS II Compliant



17.40 x 15.20 x 21.32mm

DIP WAVE SOLDERING CURVE



Preheating		Soldering		Peak				
Temp.	Time	Temp.	Time	Temp.	Time			
T1	T2	t0	t1	t4	T3	T2	T4	t3
100°C	150°C	30 to 60s	30 to 120s	30 to 60s	200°C	30s	230°C	5s

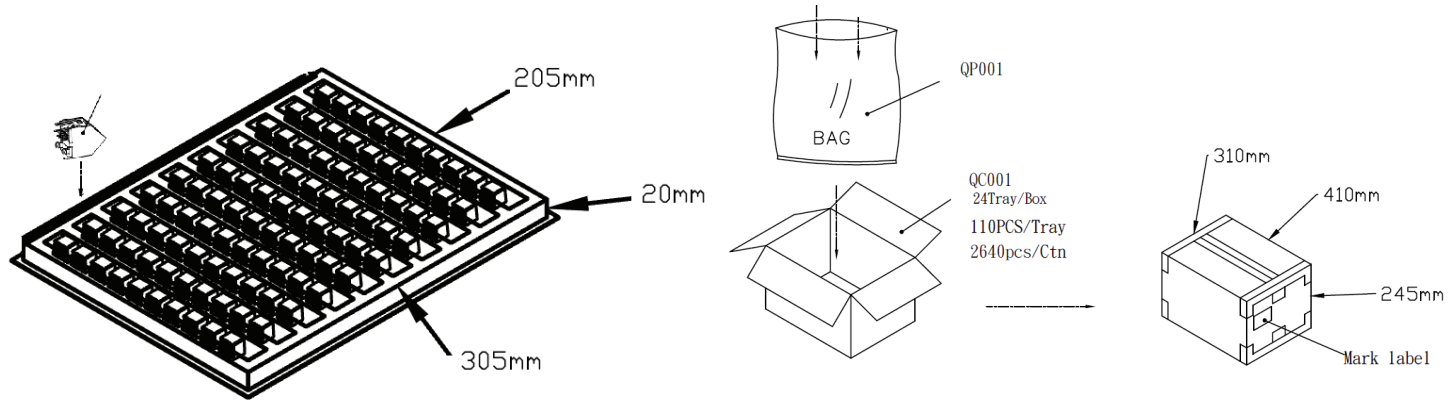
Profile Feature	Pb-Free Assembly
Preheat -Temperature Min -Temperature Max -Time (min to max)	100°C 200°C 60-120 seconds
Time maintained above: -Temperature -Time	200°C 30 seconds
Peak/Classification Temperature	230±5°C
Time within 230±5°C of actual Peak Temperature	5 seconds
Time 25°C to Peak Temperature	4 minutes 30 sec. max.

PACKAGING:

Packing: (110pcs/tray) MOQ: 550pcs
Weight: 4.80 grams/pcs

Outer carton unit(optional):2640pcs/ 24trays/box,
Gross Weight: 14.7 kg

Packaging material: PET



Dimensions: mm

ATTENTION: Abracon Corporation's products are COTS – Commercial-Off-The-Shelf products; suitable for Commercial, Industrial and, where designated, Automotive Applications. Abracon's products are not specifically designed for Military, Aviation, Aerospace, Life-dependant Medical applications or any application requiring high reliability where component failure could result in loss of life and/or property. For applications requiring high reliability and/or presenting an extreme operating environment, written consent and authorization from Abracon Corporation is required. Please contact Abracon Corporation for more information.

ABRACON IS
ISO 9001:2008
CERTIFIED



2 Faraday, Suite# B | Irvine | CA 92618 **Revised: 11.17.15**
 Ph. 949.546.8000 | Fax. 949.546.8001
 Visit www.abracon.com for Terms and Conditions of Sale