



Chipsmall Limited consists of a professional team with an average of over 10 year of expertise in the distribution of electronic components. Based in Hongkong, we have already established firm and mutual-benefit business relationships with customers from,Europe,America and south Asia,supplying obsolete and hard-to-find components to meet their specific needs.

With the principle of “Quality Parts,Customers Priority,Honest Operation,and Considerate Service”,our business mainly focus on the distribution of electronic components. Line cards we deal with include Microchip,ALPS,ROHM,Xilinx,Pulse,ON,Everlight and Freescale. Main products comprise IC,Modules,Potentiometer,IC Socket,Relay,Connector.Our parts cover such applications as commercial,industrial, and automotives areas.

We are looking forward to setting up business relationship with you and hope to provide you with the best service and solution. Let us make a better world for our industry!



Contact us

Tel: +86-755-8981 8866 Fax: +86-755-8427 6832

Email & Skype: info@chipsmall.com Web: www.chipsmall.com

Address: A1208, Overseas Decoration Building, #122 Zhenhua RD., Futian, Shenzhen, China



RJ45 1000 Base-TX Jack with Magnetic Module



16.26 x 13.84 x 21.59mm

RoHS
Compliant

ARJ11E

FEATURES:

- Available with or without LED
- Suitable CAT 5 & 6 cable and UTP
- Comply IEEE 802.3ab
- LAN Magnetic with RJ4
- Suitable for RoHS compliant reflow

APPLICATIONS:

- 1000 Base-TX LAN
- NIC, LoM and PC

STANDARD SPECIFICATIONS at 25°C

Operating temperature range: 0°C to +70°C Storage temperature range: -40°C to +85°C

Part Number	Turns Ratio	EMI Fingers	LEDs	Insertion Loss (dB MAX)	Return Loss (dB MIN @100Ω±15Ω)			
					L/R	0.3-100MHz	1- 30 MHz	40 MHz
ARJ11E-M□ SA-A-B-ΔM2	1CT:1CT	Yes	G/Y	-1.2dB	-16	-13.5	-11.5	-10
ARJ11E-M□ SB-A-B-ΔU2	1CT:1CT	Yes	G/Y	-1.2dB	-16	-13.5	-11.5	-10
ARJ11E-M□ SC-A-B-ΔL2	1CT:1	Yes	G/Y	-1.2dB	-16	-13.5	-11.5	-10
ARJ11E-M□ SD-A-B-ΔM2	1CT:1CT	Yes	G/Y	-1.2dB	-16	-13.5	-11.5	-10
ARJ11E-MASA-M2	1CT:1CT	Yes	NA	-1.2dB	-16	-13.5	-11.5	-10
ARJ11E-MASB-M2	1CT:1CT	Yes	NA	-1.2dB	-16	-13.5	-11.5	-10
ARJ11E-MASC-L2	1CT:1	Yes	NA	-1.2dB	-16	-13.5	-11.5	-10
ARJ11E-MASD-M2	1CT:1CT	Yes	NA	-1.2dB	-16	-13.5	-11.5	-10
ARJ11E-MDSA-A-B-FM2	1CT:1CT	No	G/Y	-1.0dB (1-100MHz)	-16	-13.5 (30-40MHz)	-11.5 (40-50MHz)	-10 (50-80MHz)

Part Number	Crosstalk (dB MIN)			Differential to Common Mode Rejection (dB MIN)			Hipot (Vrms)
	30 MHz	60 MHz	100 MHz	30 MHz	60 MHz	100 MHz	
ARJ11E-M□ SA-A-B-ΔM2	-40	-36	-30	-35	-32	-30	1500
ARJ11E-M□ SB-A-B-ΔU2	-40	-36	-30	-35	-32	-30	1500
ARJ11E-M□ SC-A-B-ΔL2	-40	-36	-30	-35	-32	-30	1500
ARJ11E-M□ SD-A-B-ΔM2	-40	-36	-30	-35	-32	-30	1500
ARJ11E-MASA-M2	-40	-36	-30	-35	-32	-30	1500
ARJ11E-MASB-M2	-40	-36	-30	-35	-32	-30	1500
ARJ11E-MASC-L2	-40	-36	-30	-35	-32	-30	1500
ARJ11E-MASD-M2	-40	-36	-30	-35	-32	-30	1500
ARJ11E-MDSA-A-B-FM2	-40 (0.3-30MHz)	-35 (30-60MHz)	-30 (60-100MHz)	-30 (CMR,1-30MHz)	-25 (CMR,30-60MHz)	-20 (CMR,60-125MHz)	1500

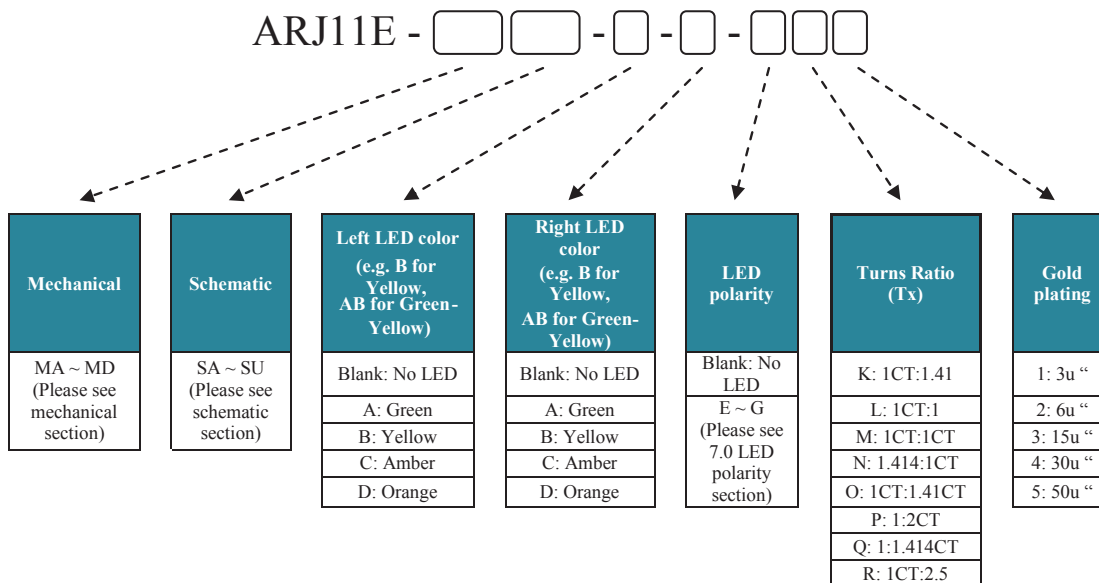
□ : Mechanical Option: B or C

Δ : LED Polarity Option: E, F or G

Contact Abracon for more custom configurations. See options to build a custom configuration.

OPTIONS AND PART IDENTIFICATION

ARJ11E - □ □ - □ - □ - □ □ □



RJ45 1000 Base-TX Jack with Magnetic Module

ARJ11E

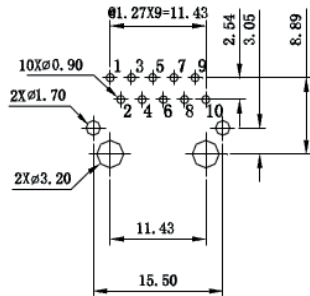
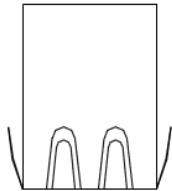
RoHS
Compliant



16.26 x 13.84 x 21.59mm

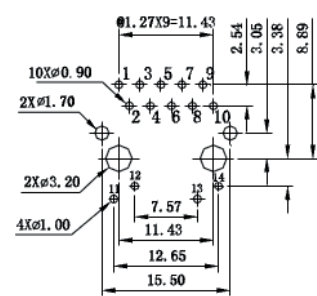
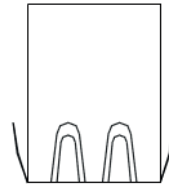
MECHANICAL DIMENSIONS

MA

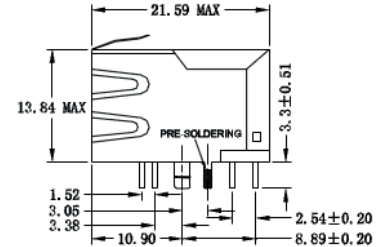
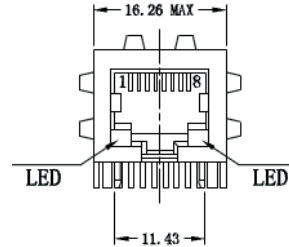
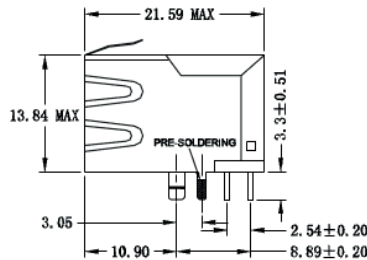
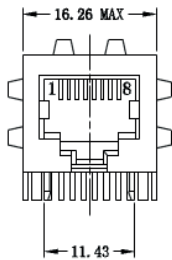


PC Board Layout
Component Side Shown

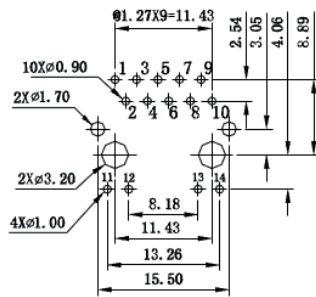
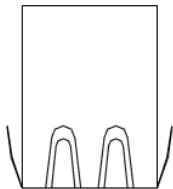
MB



PC Board Layout
Component Side Shown

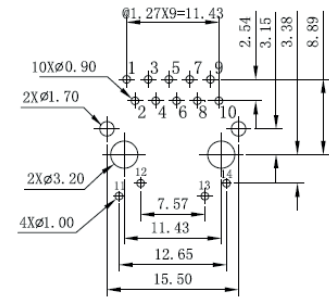


MC

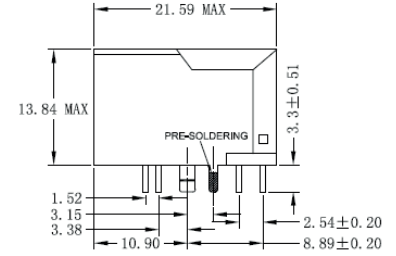
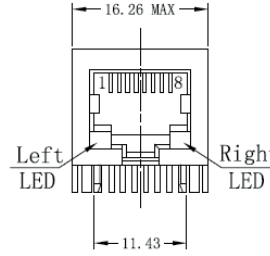
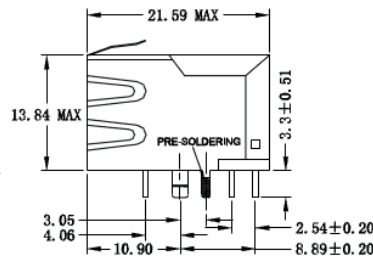
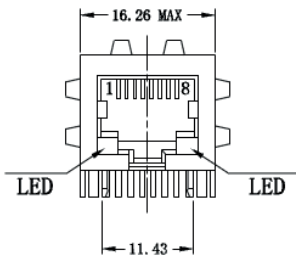


PC Board Layout
Component Side Shown

MD



PC Board Layout
Component Side Shown



Dimension: mm. All tolerances are ± 0.25

RJ45 1000 Base-TX Jack with Magnetic Module

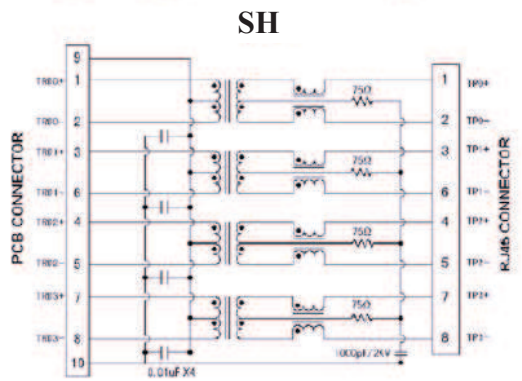
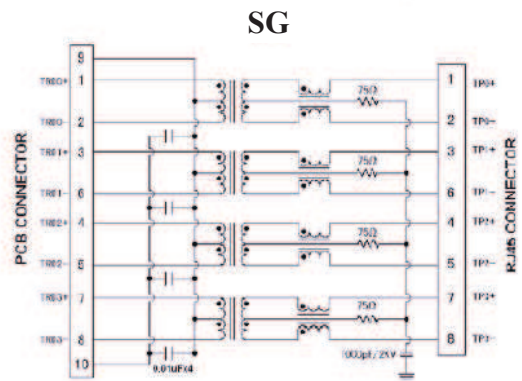
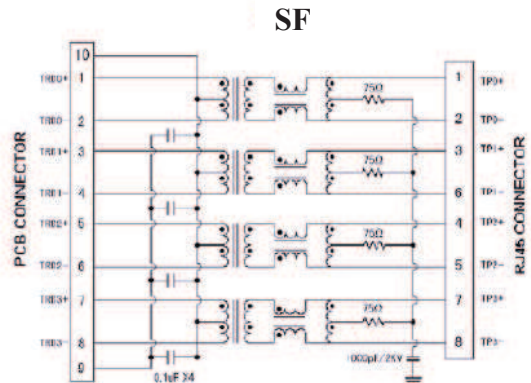
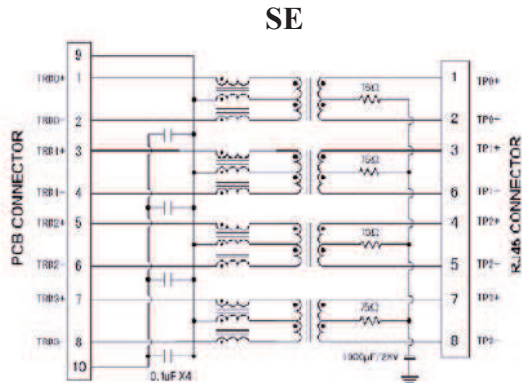
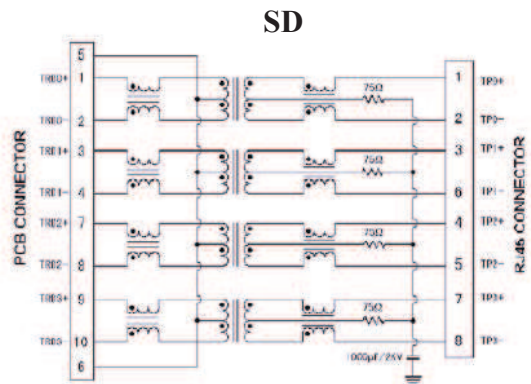
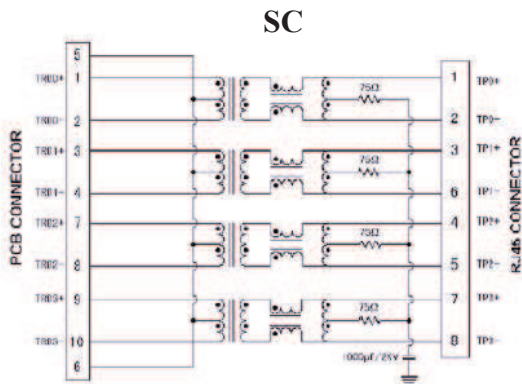
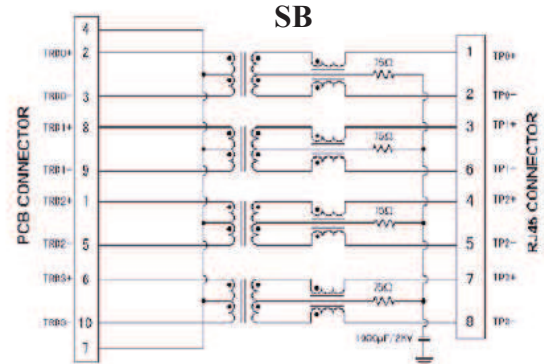
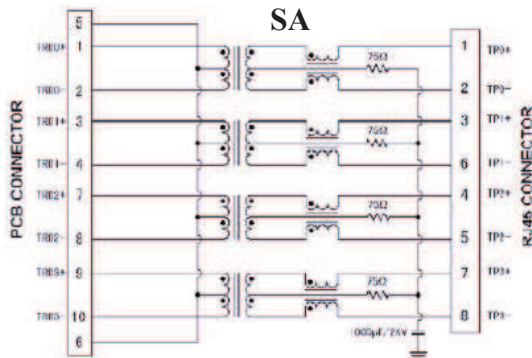


16.26 x 13.84 x 21.59mm

ARJ11E

RoHS
Compliant

SCHEMATICS



RJ45 1000 Base-TX Jack with Magnetic Module

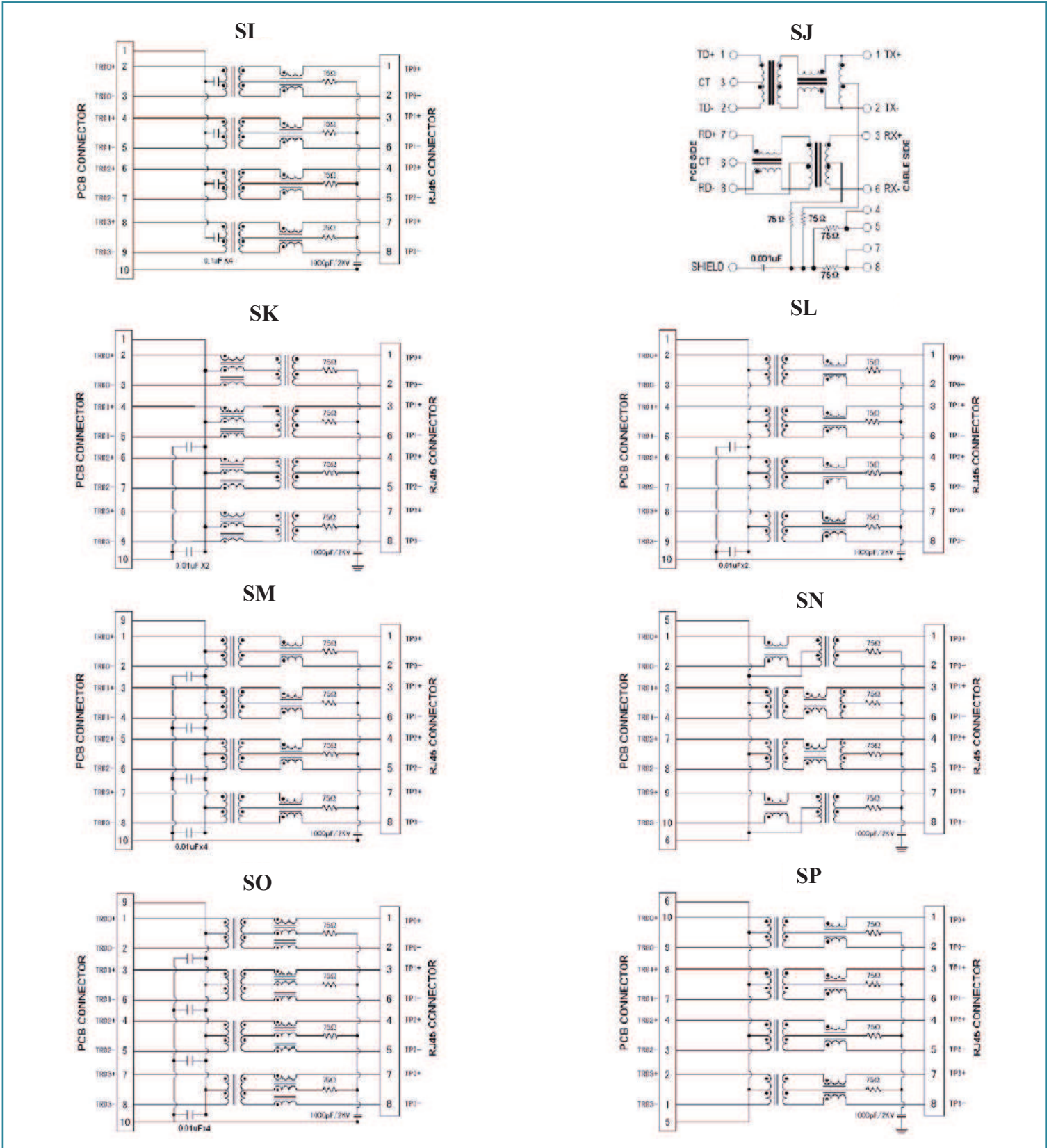


16.26 x 13.84 x 21.59mm

RoHS
Compliant

ARJ11E

SCHEMATICS - continued



RJ45 1000 Base-TX Jack with Magnetic Module

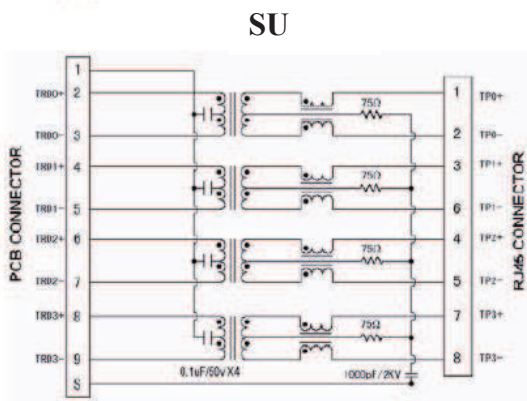
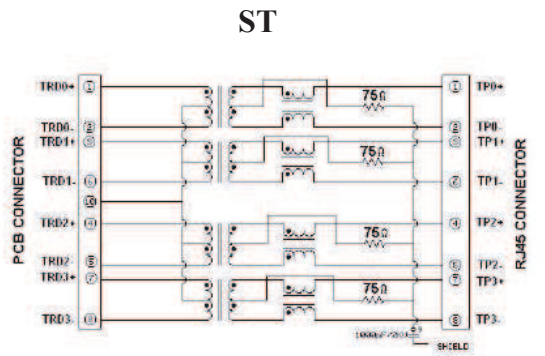
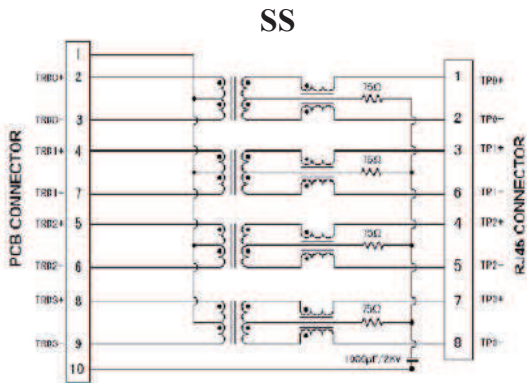
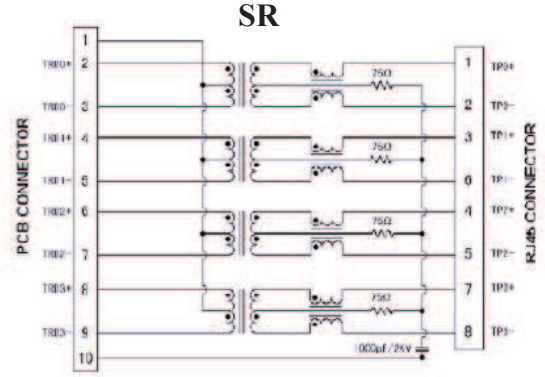
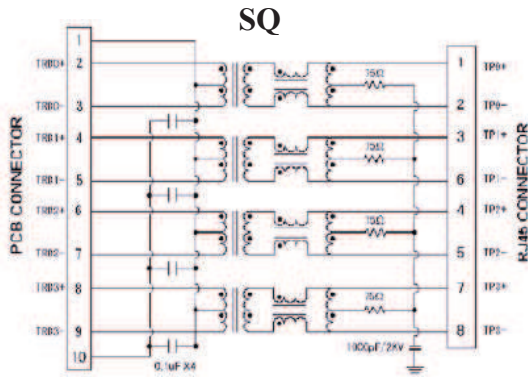


16.26 x 13.84 x 21.59mm

RoHS
Compliant

ARJ11E

SCHEMATICS - continued



RJ45 1000 Base-TX Jack with Magnetic Module

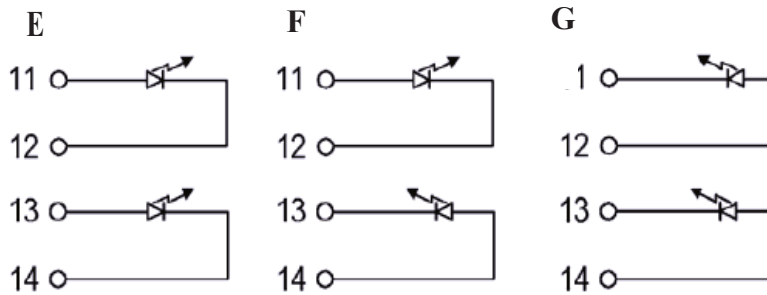


16.26 x 13.84 x 21.59mm

ARJ11E

RoHS
Compliant

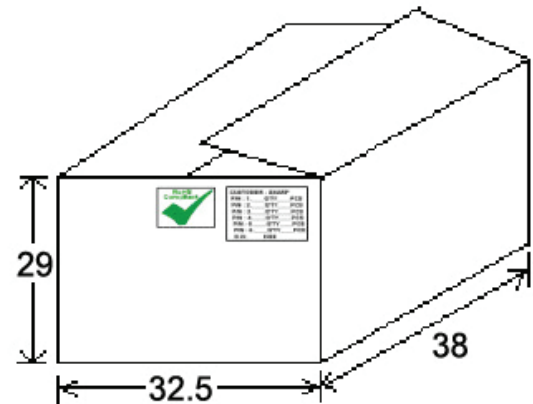
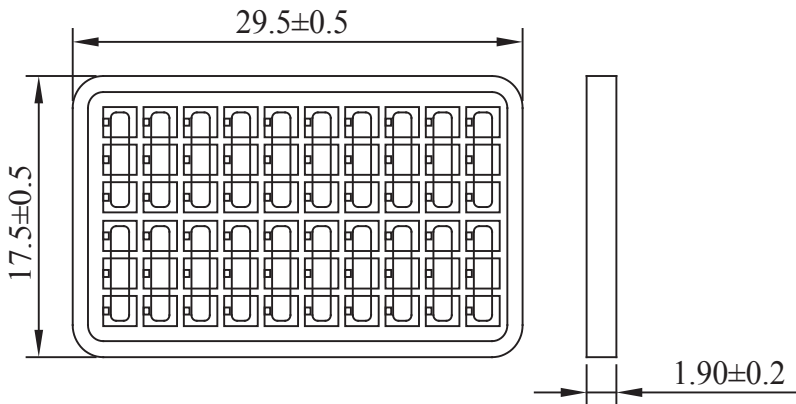
LED POLARITY



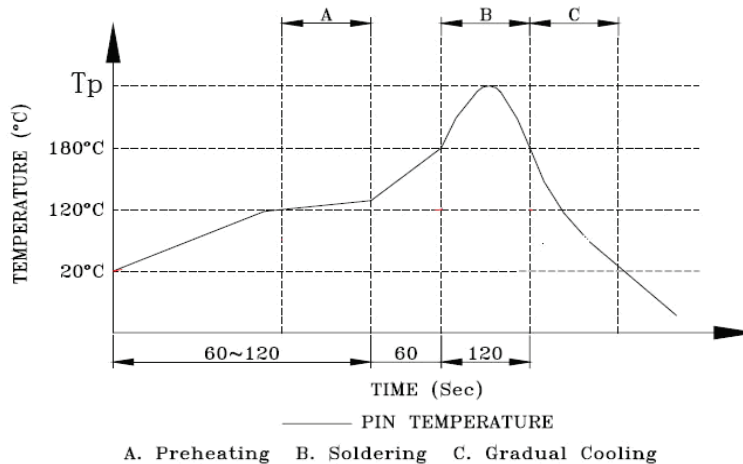
PACKING: 60pcs/tray

Packaging material: PET

Outer carton unit 1320 pcs/ 22 Trays/box



REFLOW PROFILE:



ak temperature(T_p) : 250± 10°C
ak temperature(T_p) time : 5sec max

ATTENTION: Abracon Corporation's products are COTS – Commercial-Off-The-Shelf products; suitable for Commercial, Industrial and, where designated, Automotive Applications. Abracon's products are not specifically designed for Military, Aviation, Aerospace, Life-dependant Medical applications or any application requiring high reliability where component failure could result in loss of life and/or property. For applications requiring high reliability and/or presenting an extreme operating environment, written consent and authorization from Abracon Corporation is required. Please contact Abracon Corporation for more information.

ABRACON IS
ISO 9001:2008
CERTIFIED

ABRACON[®]
The Power of Linking Together

1501 Hidden Creek Lane Spicewood TX 78751
Phone: 512-371-6159 | Fax: 512-351-8858
For terms and conditions of sales visit: www.abracon.com

Revised: 06/07/2016