



Chipsmall Limited consists of a professional team with an average of over 10 year of expertise in the distribution of electronic components. Based in Hongkong, we have already established firm and mutual-benefit business relationships with customers from,Europe,America and south Asia,supplying obsolete and hard-to-find components to meet their specific needs.

With the principle of “Quality Parts,Customers Priority,Honest Operation,and Considerate Service”,our business mainly focus on the distribution of electronic components. Line cards we deal with include Microchip,ALPS,ROHM,Xilinx,Pulse,ON,Everlight and Freescale. Main products comprise IC,Modules,Potentiometer,IC Socket,Relay,Connector.Our parts cover such applications as commercial,industrial, and automotives areas.

We are looking forward to setting up business relationship with you and hope to provide you with the best service and solution. Let us make a better world for our industry!



Contact us

Tel: +86-755-8981 8866 Fax: +86-755-8427 6832

Email & Skype: info@chipsmall.com Web: www.chipsmall.com

Address: A1208, Overseas Decoration Building, #122 Zhenhua RD., Futian, Shenzhen, China



RJ45 10/100/1000 Base-TX Tab down 1x4 Jack with Magnetic Module



59.12 x 13.60 x 21.50 mm /
58.40 x 13.00 x 20.54mm

RoHS
Compliant

ARJ14A

FEATURES:

- Tab down
- Available with or without LED
- Suitable CAT 5 & 6 cable and UTP
- Comply IEEE 802.3ab
- LAN Magnetic with RJ45
- Suitable for RoHS compliant reflow

APPLICATIONS:

- 10, 100 and 1000 Base-T LAN
- NIC, LoM and PC

STANDARD SPECIFICATIONS at 25°C

Operating temperature range: 0°C to +70°C Storage temperature range: -40°C to +85°C

Part Number	Ratio ± 5%		Tab Option	EMI Fingers (see Mechanical)	LEDs L/R	Insertion Loss (dB typ) 0.3- 100 MHz	Return Loss (dB typ @100Ω±15%)		
	TX	RX					1- 10 MHz	30 MHz	60-80 MHz
ARJ14A-M□SA-MU2	1CT:1CT	1CT:1CT	DOWN	Yes/No	-	-1.2	-18	-16	-12
ARJ14A-M□SB-MU2	1CT:1CT	1CT:1CT	DOWN	Yes/No	-	-1.2	-18	-16	-12
ARJ14A-M□SC-MU2	1CT:1CT	1CT:1CT	DOWN	Yes/No	-	-1.2	-18	-16	-12
ARJ14A-M□SD-A-B-ΔMU2	1CT:1CT	1CT:1CT	DOWN	Yes	G/Y	-1.2	-18	-16	-12
ARJ14A-M□SD-MU2	1CT:1CT	1CT:1CT	DOWN	Yes/No	-	-1.2	-18	-16	-12

Part Number	Crosstalk (dB TYP)			Common Mode Rejection (dB TYP)		Hipot (Vrms)
	1 - 10 MHz	30 - 60 MHz	60 - 100 MHz	1 - 50 MHz	50 - 130 MHz	
ARJ14A-M□SA-MU2	-40	-35	-30	-30	-20	1500
ARJ14A-M□SB-MU2	-30	-30	-30	-30	-20	1500
ARJ14A-M□SC-MU2	-40	-35	-30	-30	-20	1500
ARJ14A-M□SD-A-B-ΔMU2	-40	-35	-30	-30	-20	1500
ARJ14A-M□SD-MU2	-40	-35	-30	-30	-20	1500

□: Mechanical option: E, F or I for non- LED; A or B for LED.

Δ: LED polarity option E or F

Contact Abracon for more custom configurations. See options to build a custom configuration.

OPTIONS AND PART IDENTIFICATION

ARJ14A - □ □ - □ - □ - □ □ □ □

Mechanical	Schematic	Left LED color (e.g. B for Yellow, AB for Green-Yellow)	Right LED color (e.g. B for Yellow, AB for Green-Yellow)	LED polarity	Turns Ratio (Tx)	Turns Ratio (Rx)	Gold plating
MA ~ MI (Please see mechanical section)	SA ~ SZ (Please see schematic section)	Blank: No LED A: Green B: Yellow C: Amber D: Orange	Blank: No LED A: Green B: Yellow C: Amber D: Orange	Blank: No LED E ~ H (Please see 7.0 LED polarity section)	K: 1CT:1.41 L: 1CT:1 M: 1CT:1CT N: 1.414:1CT O: 1CT:1.41CT P: 1:2CT Q: 1:1.414CT R: 1CT:2.5	S: 1CT:1.41 T: 1CT:1 U: 1CT:1CT V: 1.414:1CT W:1CT:1.41CT X: 1:2CT Y: 1:1.414CT Z: 1CT:2.5	1: 3u “ 2: 6u “ 3: 15u “ 4: 30u “ 5: 50u “

ABRACON IS
ISO 9001:2008
CERTIFIED



2 Faraday, Suite# B | Irvine | CA 92618 **Revised: 01.26.16**
Ph. 949.546.8000 | Fax. 949.546.8001
Visit www.abracon.com for Terms and Conditions of Sale

RJ45 10/100/1000 Base-TX Tab down 1x4 Jack with Magnetic Module



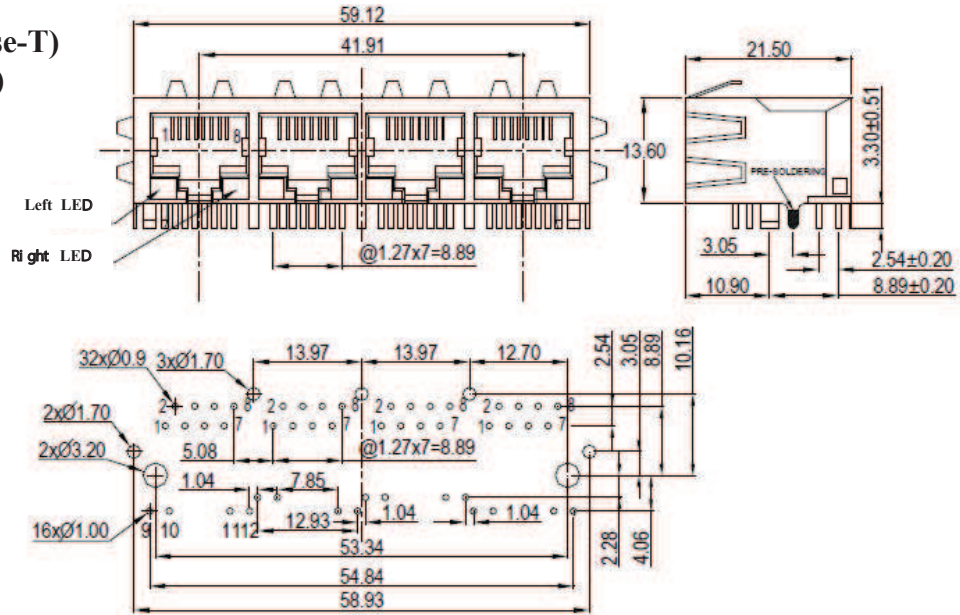
59.12 x 13.60 x 21.50 mm /
58.40 x 13.00 x 20.54mm

ARJ14A

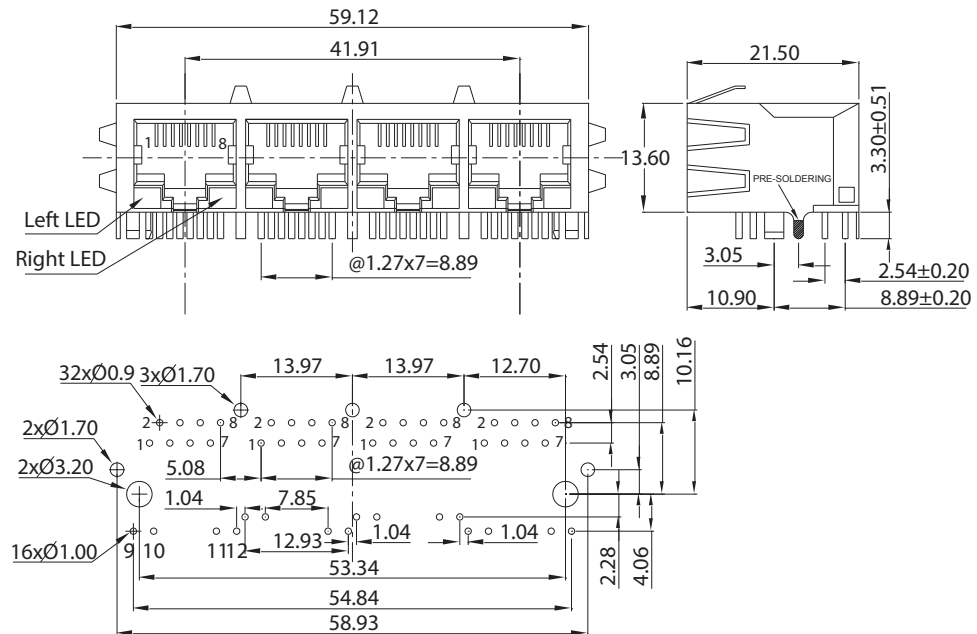
RoHS
Compliant

MECHANICAL DIMENSIONS

**MA (10/100 Base-T)
(8 EMI Fingers)**



**MB (10/100 Base-T)
(3 EMI Fingers)**



RJ45 10/100/1000 Base-TX Tab down 1x4 Jack with Magnetic Module



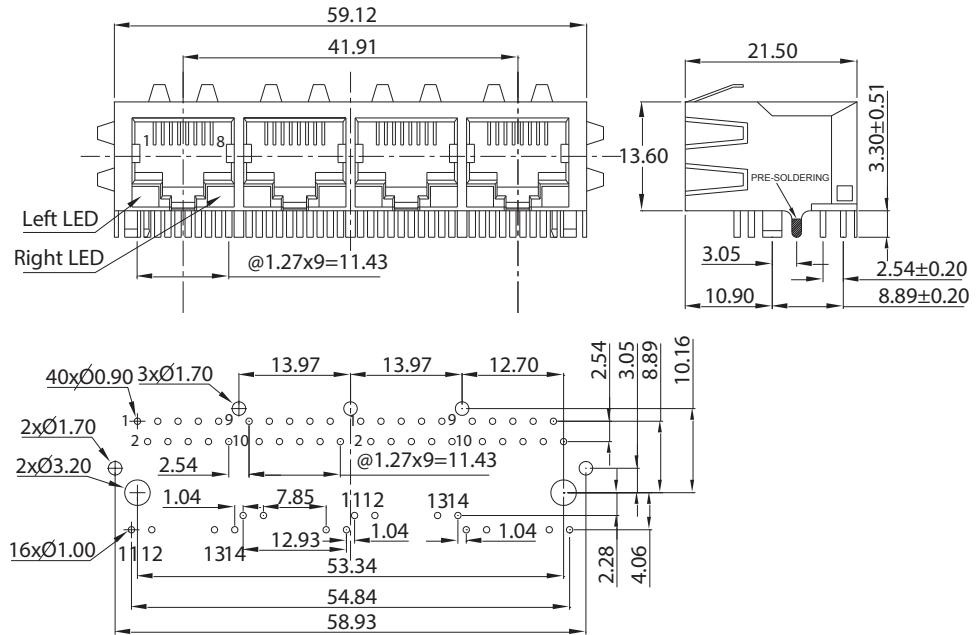
59.12 x 13.60 x 21.50 mm /
58.40 x 13.00 x 20.54mm

ARJ14A

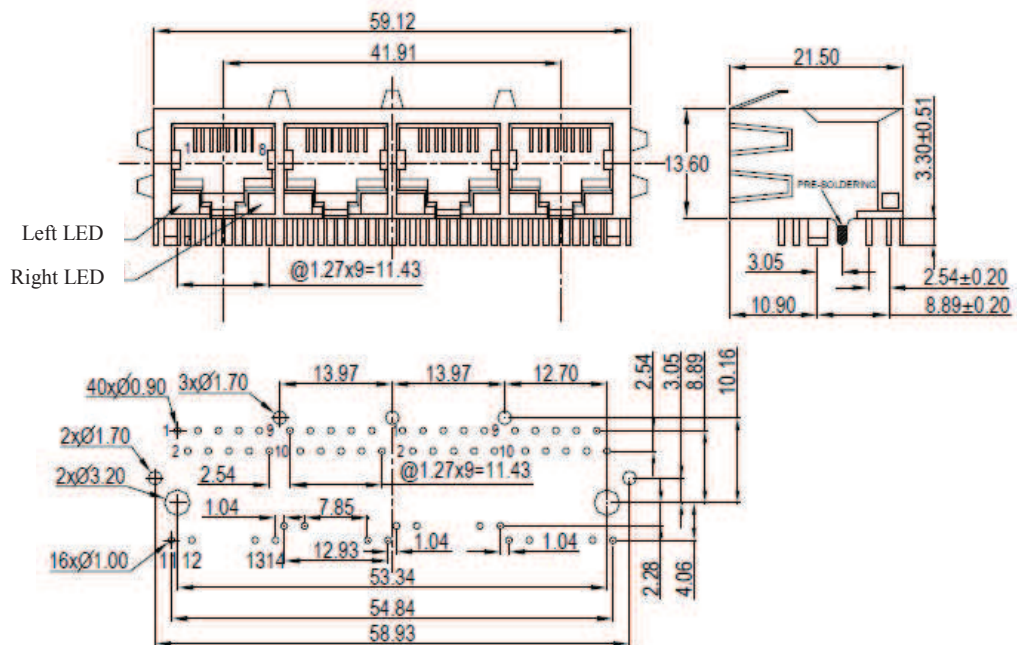
RoHS
Compliant

MECHANICAL DIMENSIONS

MC (1000 Base-T) (8 EMI Fingers)



MD (1000 Base-T) (3 EMI Fingers)



RJ45 10/100/1000 Base-TX Tab down 1x4 Jack with Magnetic Module



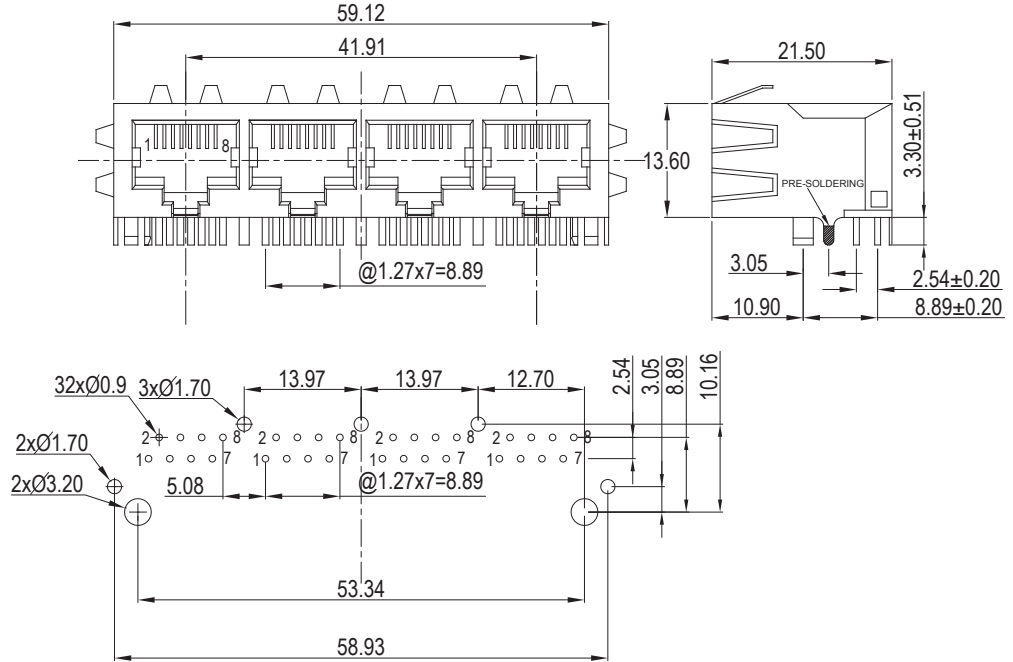
59.12 x 13.60 x 21.50 mm /
58.40 x 13.00 x 20.54mm

ARJ14A

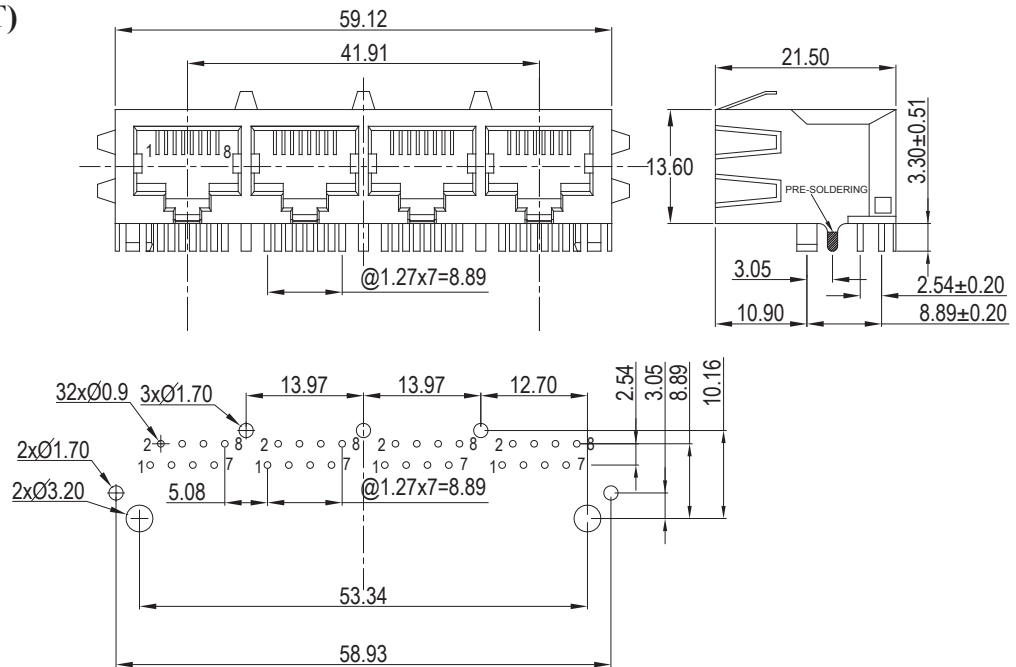
RoHS
Compliant

MECHANICAL DIMENSIONS

ME (10/100 Base-T) (8 EMI Fingers)



MF (10/100 Base-T) (3 EMI Fingers)



RJ45 10/100/1000 Base-TX Tab down 1x4 Jack with Magnetic Module



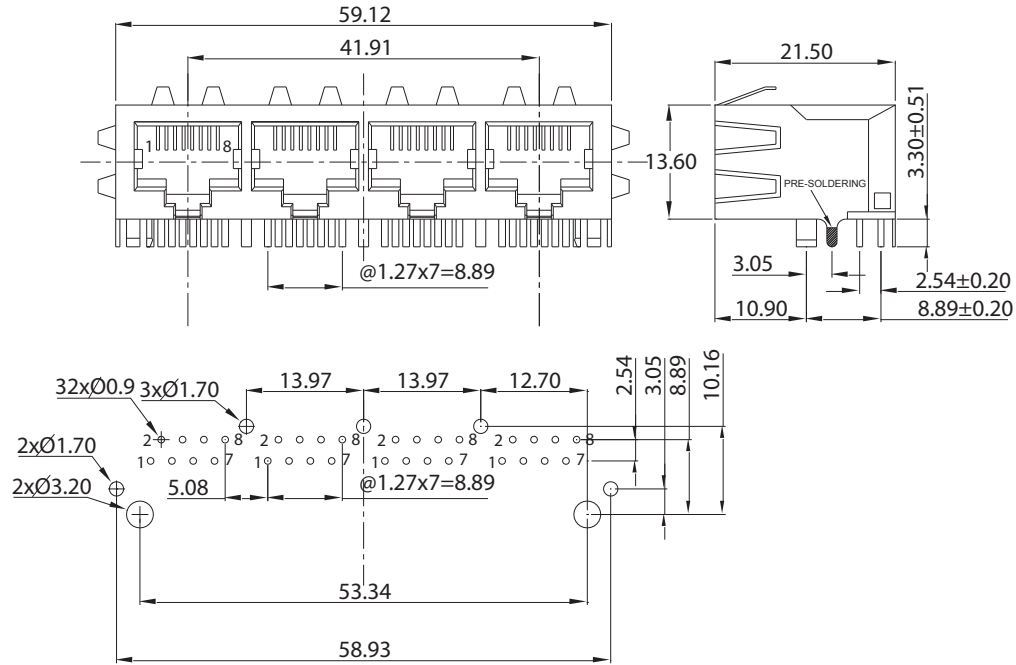
59.12 x 13.60 x 21.50 mm /
58.40 x 13.00 x 20.54mm

ARJ14A

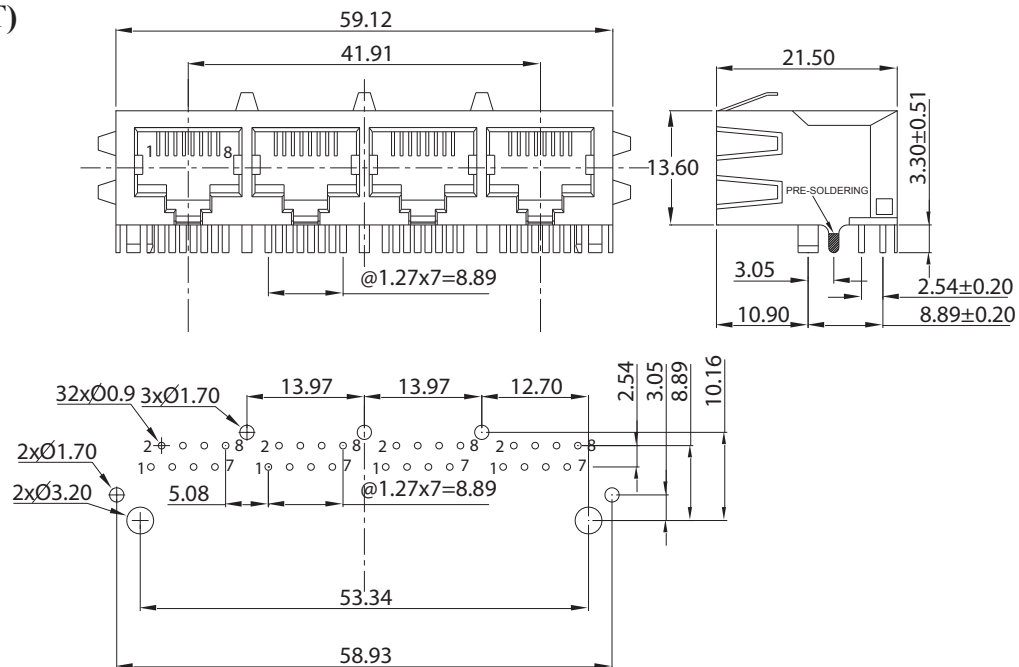
RoHS
Compliant

MECHANICAL DIMENSIONS

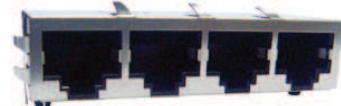
ME (10/100 Base-T) (8 EMI Fingers)



MF (10/100 Base-T) (3 EMI Fingers)



RJ45 10/100/1000 Base-TX Tab down 1x4 Jack with Magnetic Module



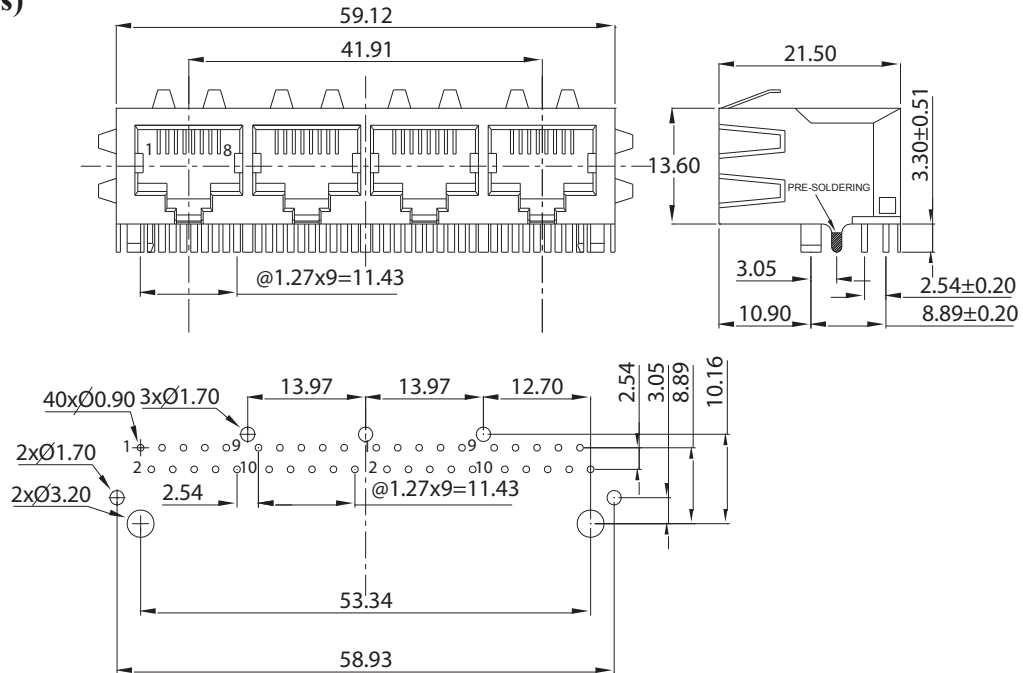
59.12 x 13.60 x 21.50 mm /
58.40 x 13.00 x 20.54mm

ARJ14A

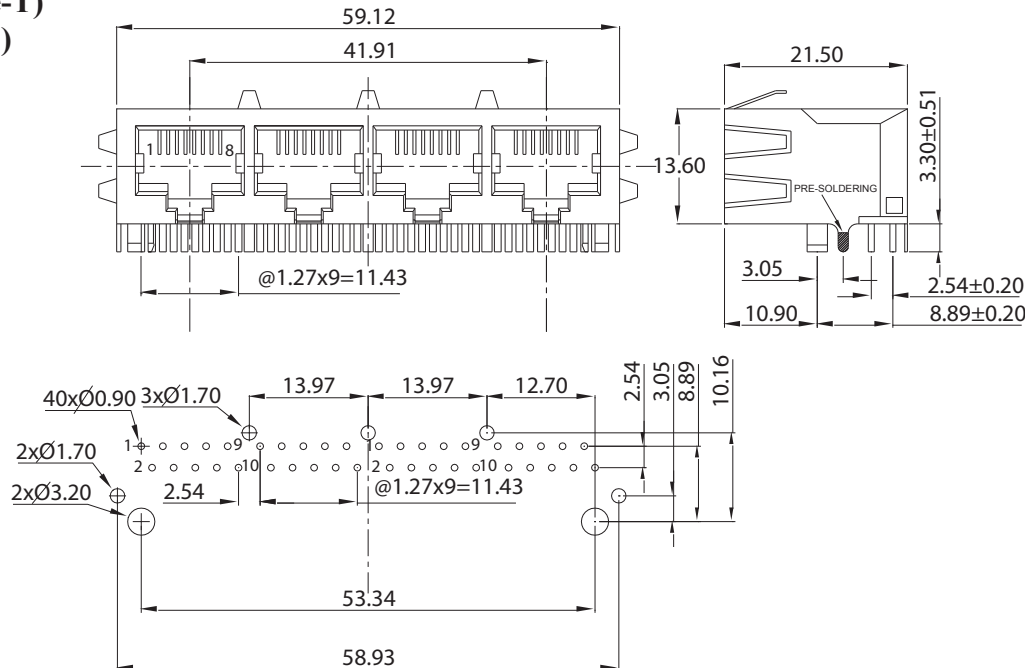
RoHS
Compliant

MECHANICAL DIMENSIONS

MG (1000 Base-T) (8 EMI Fingers)



MH (1000 Base-T) (3 EMI Fingers)



RJ45 10/100/1000 Base-TX Tab down 1x4 Jack with Magnetic Module



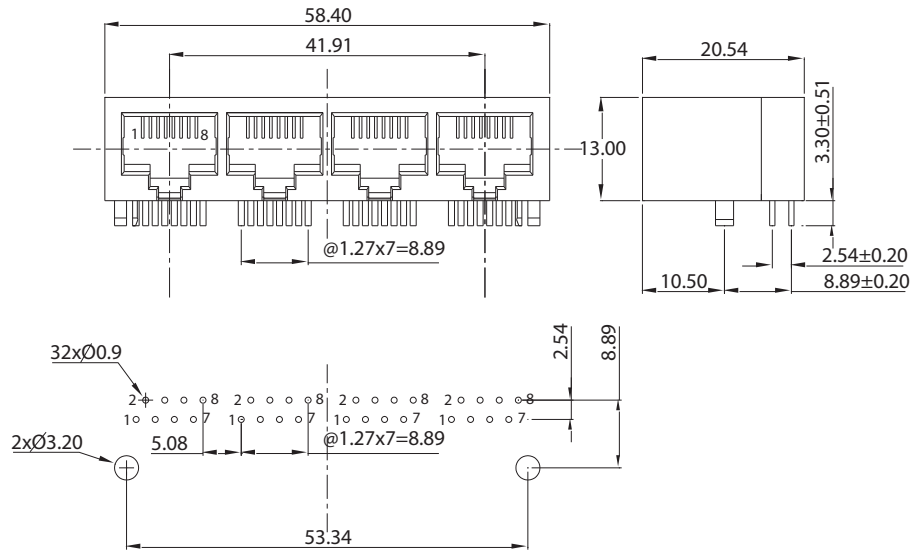
59.12 x 13.60 x 21.50 mm /
58.40 x 13.00 x 20.54mm

RoHS
Compliant

ARJ14A

MECHANICAL DIMENSIONS

MI (10/100 Base-T)



RJ45 10/100/1000 Base-TX Tab down 1x4 Jack with Magnetic Module

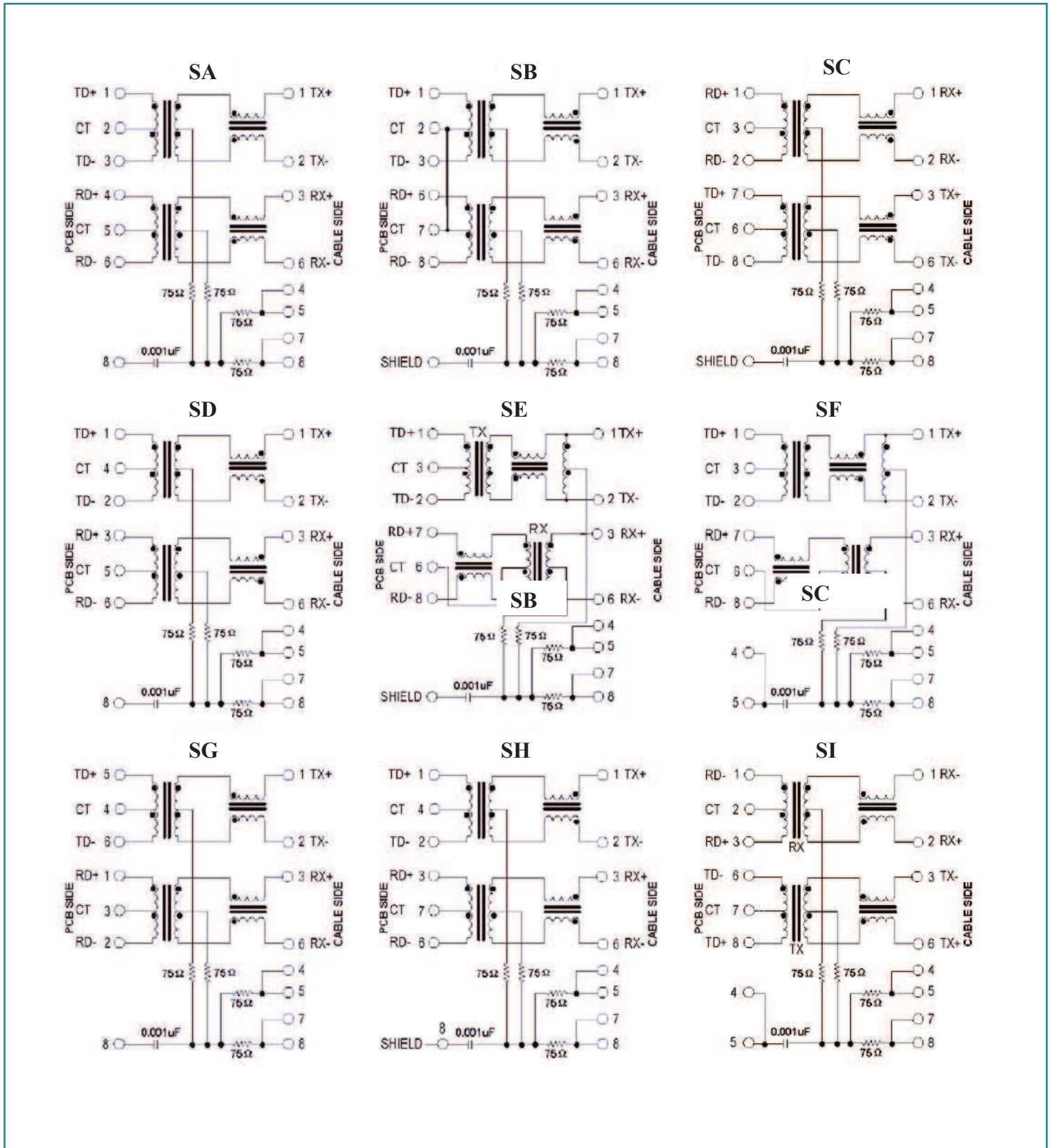


59.12 x 13.60 x 21.50 mm /
58.40 x 13.00 x 20.54mm

ARJ14A

RoHS
Compliant

SCHEMATICS



RJ45 10/100/1000 Base-TX Tab down 1x4 Jack with Magnetic Module

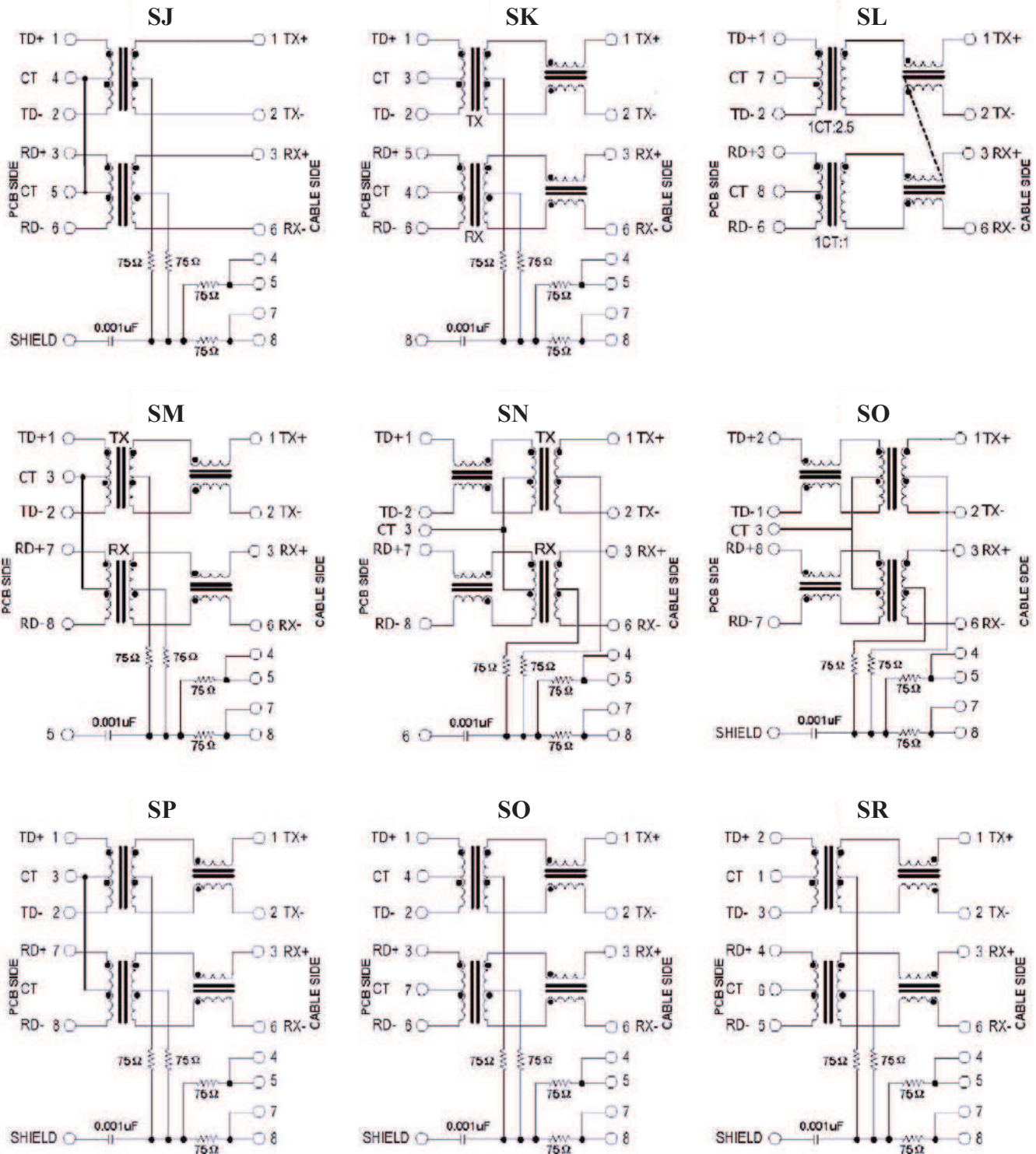


59.12 x 13.60 x 21.50 mm /
58.40 x 13.00 x 20.54mm

ARJ14A

RoHS
Compliant

SCHEMATICS - continued



RJ45 10/100/1000 Base-TX Tab down 1x4 Jack with Magnetic Module

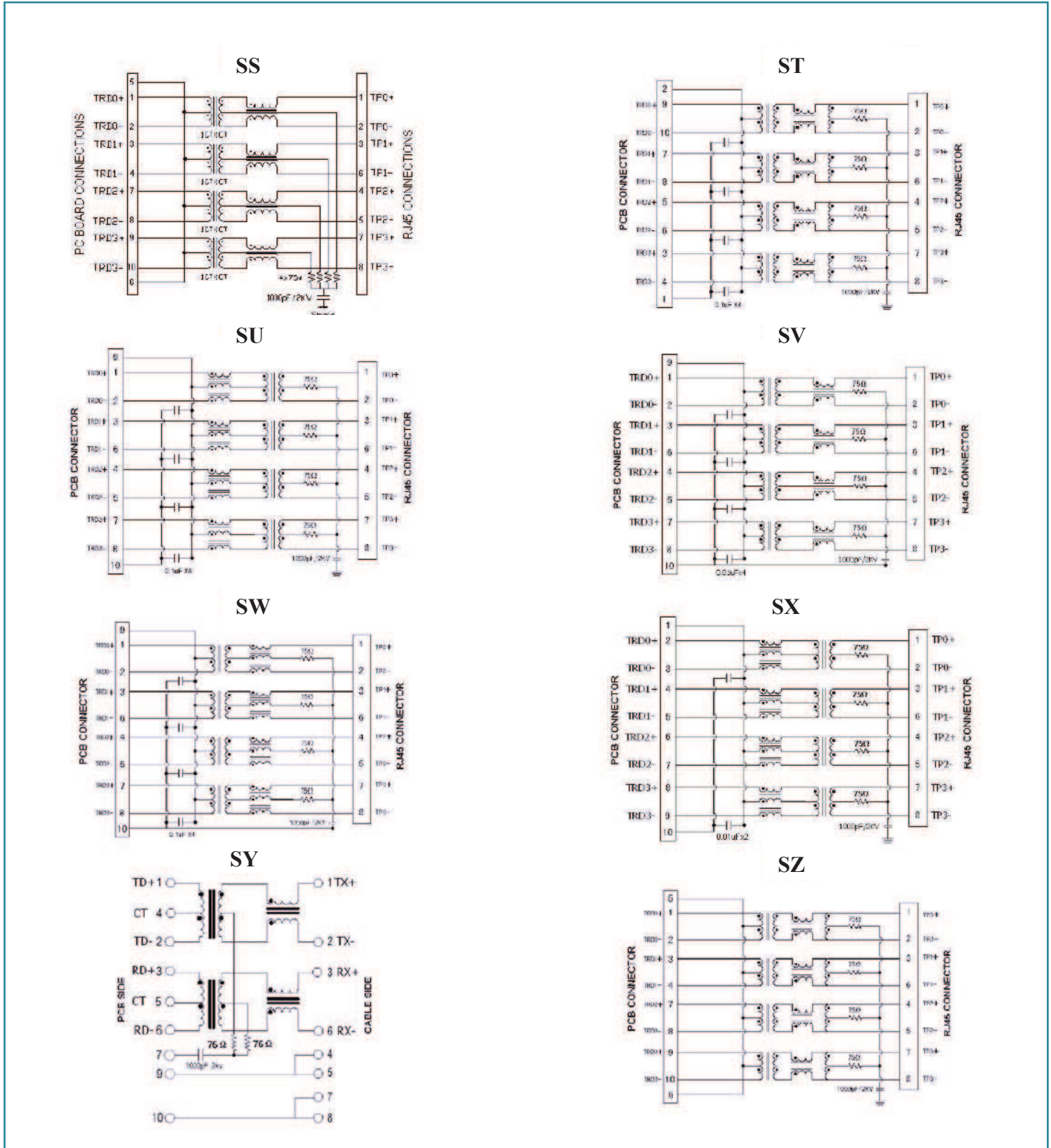


59.12 x 13.60 x 21.50 mm /
58.40 x 13.00 x 20.54mm

ARJ14A

RoHS
Compliant

SCHEMATICS



ABRACON IS
ISO 9001:2008
CERTIFIED



2 Faraday, Suite# B | Irvine | CA 92618 Revised: 01.26.16
Ph. 949.546.8000 | Fax. 949.546.8001
Visit www.abracon.com for Terms and Conditions of Sale



59.12 x 13.60 x 21.50 mm /
58.40 x 13.00 x 20.54mm

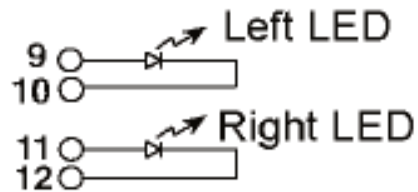
RoHS
Compliant

ARJ14A

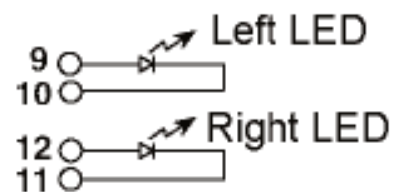
LED POLARITY

8PIN:

E

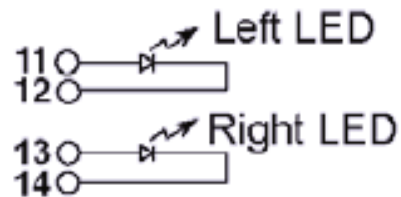


F

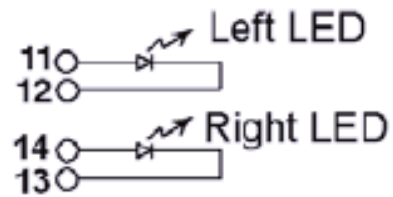


10PIN:

G



H



RJ45 10/100/1000 Base-TX Tab down 1x4 Jack with Magnetic Module



59.12 x 13.60 x 21.50 mm /
58.40 x 13.00 x 20.54mm

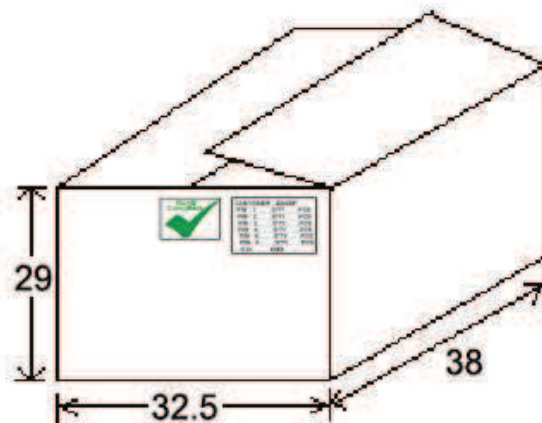
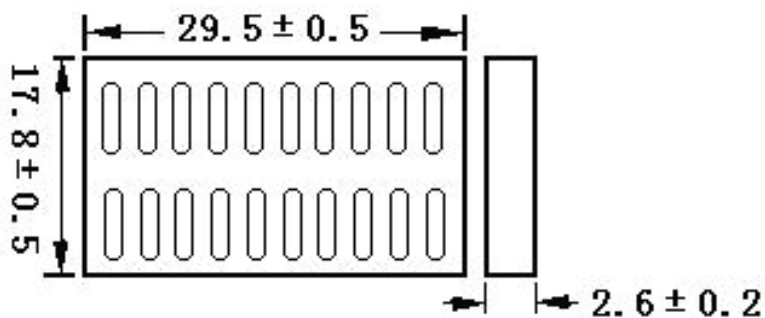
RoHS
Compliant

ARJ14A

PACKING: 20pcs/tray

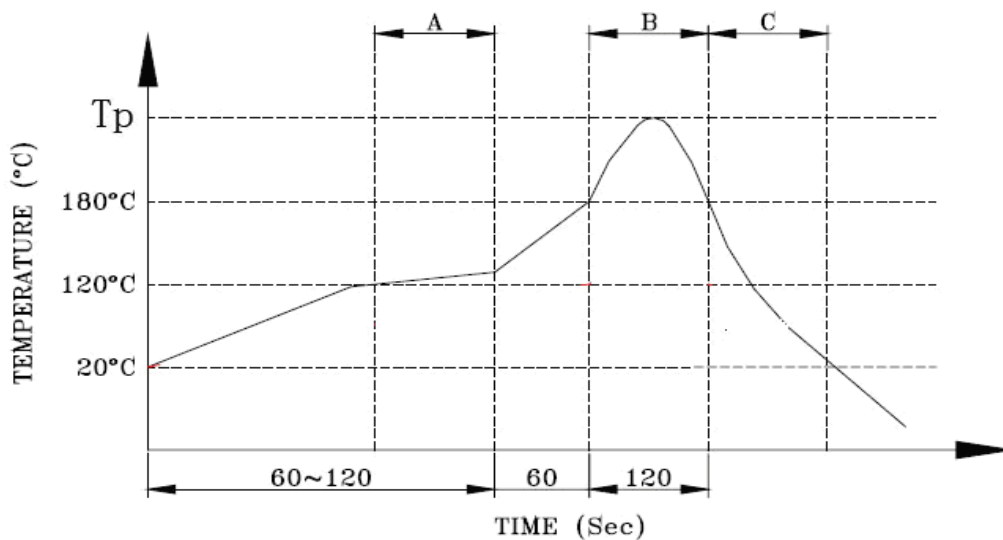
Packaging material: PET

Outer carton unit 400 pcs/ 20 Trays/box



Dimensions: cm

REFLOW PROFILE:



— PIN TEMPERATURE

A. Preheating B. Soldering C. Gradual Cooling

Peak temperature(T_p) : $250 \pm 10^\circ\text{C}$
Peak temperature(T_p) time : 5sec max

ATTENTION: Abracon Corporation's products are COTS – Commercial-Off-The-Shelf products; suitable for Commercial, Industrial and, where designated, Automotive Applications. Abracon's products are not specifically designed for Military, Aviation, Aerospace, Life-dependant Medical applications or any application requiring high reliability where component failure could result in loss of life and/or property. For applications requiring high reliability and/or presenting an extreme operating environment, written consent and authorization from Abracon Corporation is required. Please contact Abracon Corporation for more information.

ABRACON IS
ISO 9001:2008
CERTIFIED



2 Faraday, Suite# B | Irvine | CA 92618 **Revised: 01.26.16**
Ph. 949.546.8000 | Fax. 949.546.8001
Visit www.abracon.com for Terms and Conditions of Sale