



Chipsmall Limited consists of a professional team with an average of over 10 year of expertise in the distribution of electronic components. Based in Hongkong, we have already established firm and mutual-benefit business relationships with customers from,Europe,America and south Asia,supplying obsolete and hard-to-find components to meet their specific needs.

With the principle of “Quality Parts,Customers Priority,Honest Operation,and Considerate Service”,our business mainly focus on the distribution of electronic components. Line cards we deal with include Microchip,ALPS,ROHM,Xilinx,Pulse,ON,Everlight and Freescale. Main products comprise IC,Modules,Potentiometer,IC Socket,Relay,Connector.Our parts cover such applications as commercial,industrial, and automotives areas.

We are looking forward to setting up business relationship with you and hope to provide you with the best service and solution. Let us make a better world for our industry!



## Contact us

Tel: +86-755-8981 8866 Fax: +86-755-8427 6832

Email & Skype: info@chipsmall.com Web: www.chipsmall.com

Address: A1208, Overseas Decoration Building, #122 Zhenhua RD., Futian, Shenzhen, China



# RJ45, Single Port, Tap Up, Thru-Hole, 100 Base-T with Single USB

ARJE-0032

RoHS/RoHS II Compliant



16.20 x 21.05 x 29.11mm

**FEATURES:**

- Compliant with IEEE802.3 standard
- 350uH minimum OCL with 8mA bias current
- High performance for maximum EMI suppression
- High reliability – 750 mating/unmating cycles
- RJ45/Single USB stacked design to save PCB space

**APPLICATIONS:**

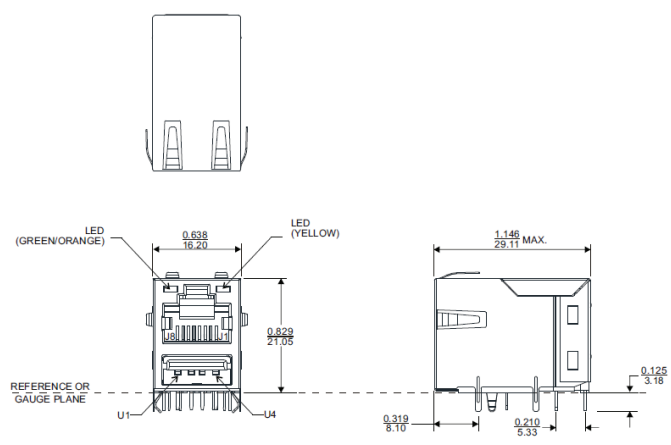
- Designed for most leading PHY IC manufacturers such as Broadcom, Marvell, Microsemi.
- Supports 10/100 Base-T applications
- Provides signal conditioning, EMI suppression and signal isolation.

**STANDARD SPECIFICATIONS**

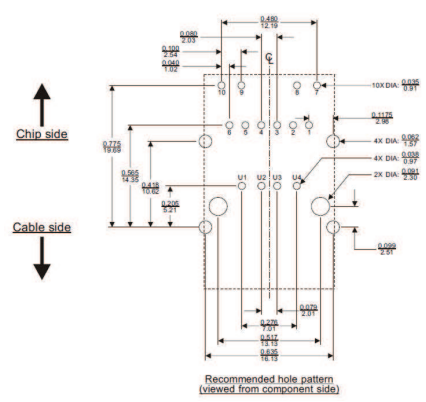
Operating temperature range: 40°C to +85°C Storage temperature range: -40°C to +85°C

| Parameters       | Minimum  | Typical | Maximum | Units | Notes                   |
|------------------|----------|---------|---------|-------|-------------------------|
| Turn Ratio (±3%) | 1CT:1CT  |         |         |       |                         |
| Inductance       | 350      |         |         | uH    | 100kHz, 0.1 Vrms, 8mADC |
| Insertion Loss   |          |         | -1.0    | dB    | 0.1-100MHz              |
| Return Loss      | -16.0    |         |         | dB    | 1-30MHz                 |
|                  | -14.5    |         |         |       | 30-60MHz                |
|                  | -12.0    |         |         |       | 80MHz                   |
| Crosstalk        | -30.0    |         |         | dB    | 0.1-100MHz              |
| CMRR             | -30.0    |         |         | dB    | 0.1-100MHz              |
| Hipot            | 1500Vrms |         |         |       | Pri to Sec              |

**MECHANICAL DIMENSIONS**



**Recommended Land Pattern**



Dimensions: inch/mm (Unless otherwise specified, all tolerances are ±0.01/0.25)

ABRACON IS  
ISO 9001:2008  
CERTIFIED



Visit [www.abracon.com](http://www.abracon.com) for Terms & Conditions of Sale  
30332 Esperanza, Rancho Santa Margarita, California 92688  
tel 949-546-8000 | fax 949-546-8001 | [www.abracon.com](http://www.abracon.com)

Revised: 11.04.13

# RJ45, Single Port, Tap Up, Thru-Hole, 100 Base-T with Single USB

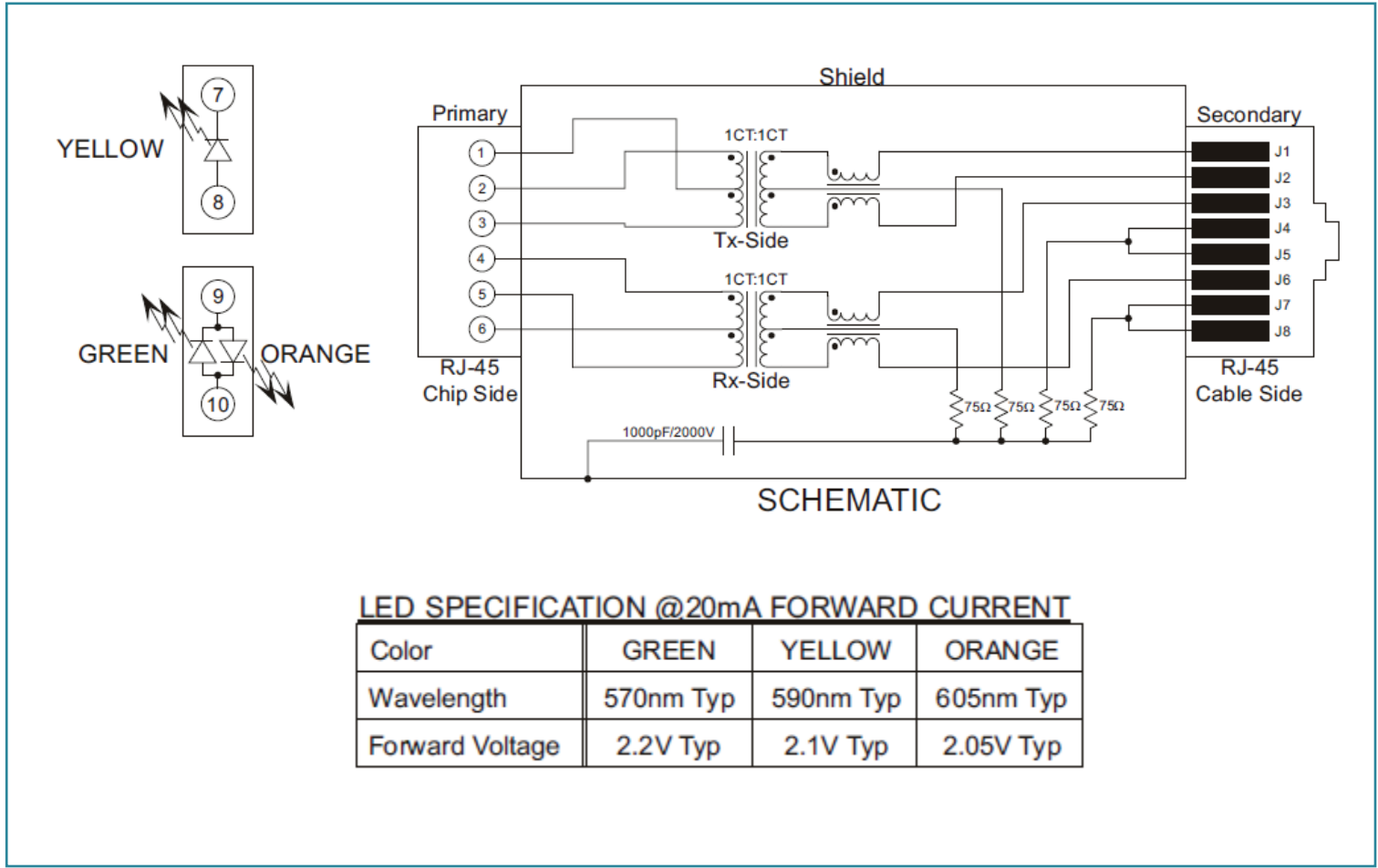
ARJE-0032

RoHS/RoHS II Compliant



16.20 x 21.05 x 29.11mm

## SCHEMATICS



**LED SPECIFICATION @20mA FORWARD CURRENT**

| Color           | GREEN     | YELLOW    | ORANGE    |
|-----------------|-----------|-----------|-----------|
| Wavelength      | 570nm Typ | 590nm Typ | 605nm Typ |
| Forward Voltage | 2.2V Typ  | 2.1V Typ  | 2.05V Typ |

Packing: 48 pcs/tray

**ATTENTION:** Abracon Corporation's products are COTS – Commercial-Off-The-Shelf products; suitable for Commercial, Industrial and, where designated, Automotive Applications. Abracon's products are not specifically designed for Military, Aviation, Aerospace, Life-dependant Medical applications or any application requiring high reliability where component failure could result in loss of life and/or property. For applications requiring high reliability and/or presenting an extreme operating environment, written consent and authorization from Abracon Corporation is required. Please contact Abracon Corporation for more information.



Visit [www.abracon.com](http://www.abracon.com) for Terms & Conditions of Sale  
 30332 Esperanza, Rancho Santa Margarita, California 92688  
 tel 949-546-8000 | fax 949-546-8001 | [www.abracon.com](http://www.abracon.com)

Revised: 11.04.13