



Chipsmall Limited consists of a professional team with an average of over 10 year of expertise in the distribution of electronic components. Based in Hongkong, we have already established firm and mutual-benefit business relationships with customers from,Europe,America and south Asia,supplying obsolete and hard-to-find components to meet their specific needs.

With the principle of “Quality Parts,Customers Priority,Honest Operation,and Considerate Service”,our business mainly focus on the distribution of electronic components. Line cards we deal with include Microchip,ALPS,ROHM,Xilinx,Pulse,ON,Everlight and Freescale. Main products comprise IC,Modules,Potentiometer,IC Socket,Relay,Connector.Our parts cover such applications as commercial,industrial, and automotives areas.

We are looking forward to setting up business relationship with you and hope to provide you with the best service and solution. Let us make a better world for our industry!



Contact us

Tel: +86-755-8981 8866 Fax: +86-755-8427 6832

Email & Skype: info@chipsmall.com Web: www.chipsmall.com

Address: A1208, Overseas Decoration Building, #122 Zhenhua RD., Futian, Shenzhen, China



RJ45, Single Port, Tap Up, SMD, 100 Base-T



16.10 x 13.87 x 25.68mm

ARJE-0034

RoHS/RoHS II Compliant

Moisture Sensitivity Level = 1

FEATURES:

- Compliant with IEEE802.3 standard
- 350uH minimum OCL with 8mA bias current
- High performance for maximum EMI suppression
- High reliability – 750 mating/unmating cycles

APPLICATIONS:

- Supports 100 Base-T applications such as Set Top Box and Network Interface Card.
- Provides signal conditioning, EMI suppression and signal isolation

STANDARD SPECIFICATIONS

Operating temperature range: 0°C to +70°C Storage temperature range: -40°C to +85°C

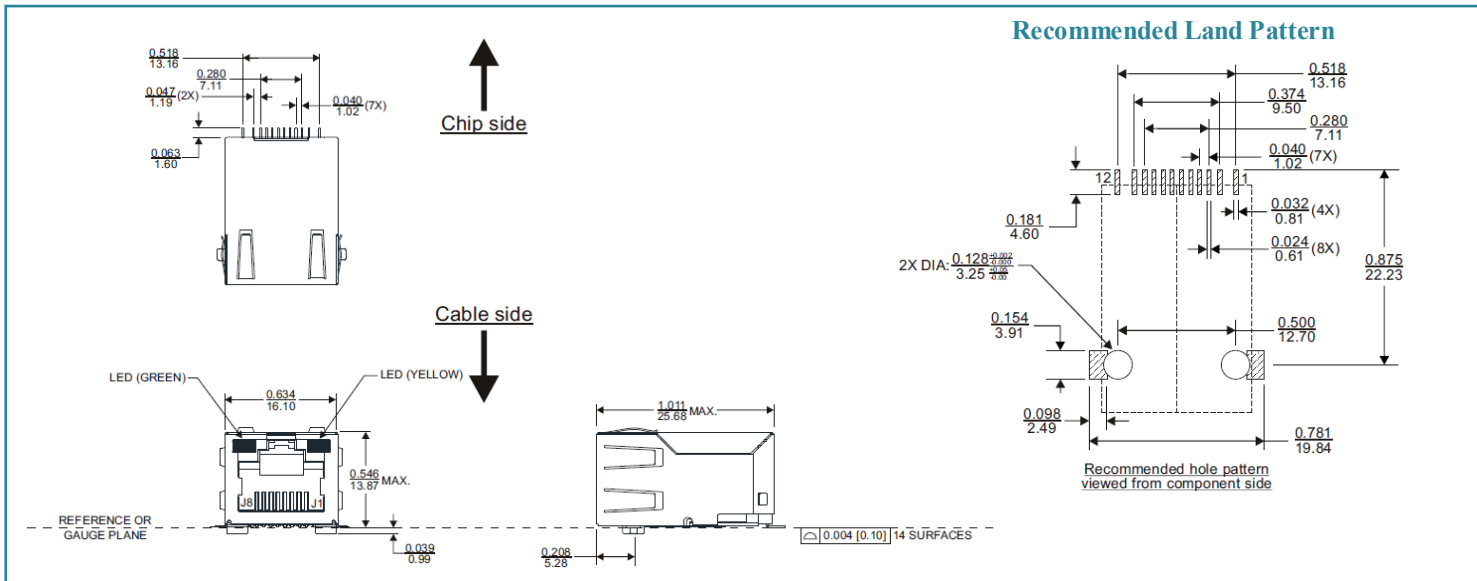
Parameters	Minimum	Typical	Maximum	Units	Notes
Turn Ratio (±3%)	1CT:1CT				
Inductance	350			uH	100kHz, 0.1Vrms, 8mADC
Insertion Loss			-1.0	dB	0.1-100MHz
Return Loss	-16.0			dB	1-30MHz
	-13.5				30-60MHz
	-12.0				60-80MHz
Crosstalk	-30.0			dB	0.1-100MHz
CMRR	-30.0			dB	0.1-100MHz
Hipot	1500Vrms				Pri to Sec

PART IDENTIFICATION:

ARJE-0034-

Tin Plating Finish Option
Blank – Standard (Bright Tin)
MT – Optional (Matt Tin), MOQ: 2750 pcs

MECHANICAL DIMENSIONS



Dimensions: inch/mm (Unless otherwise specified, all tolerances are ±0.01/0.25)

ABRACON IS
ISO 9001:2008
CERTIFIED



2 Faraday, Suite# B | Irvine | CA 92618 **Revised: 11.19.15**
Ph. 949.546.8000 | Fax. 949.546.8001
Visit www.abracon.com for Terms and Conditions of Sale

RJ45, Single Port, Tap Up, SMD, 100 Base-T

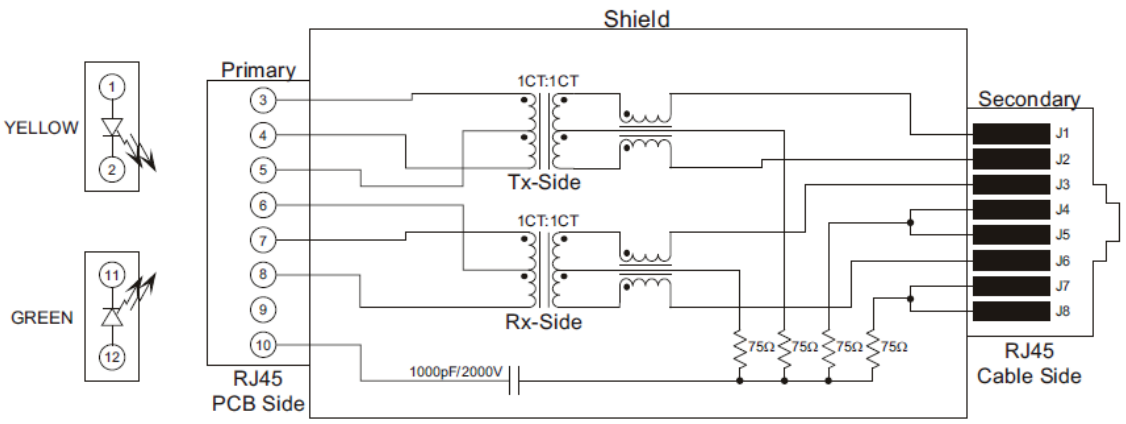
ARJE-0034

RoHS/RoHS II Compliant



16.10 x 13.87 x 25.68mm

SCHEMATICS

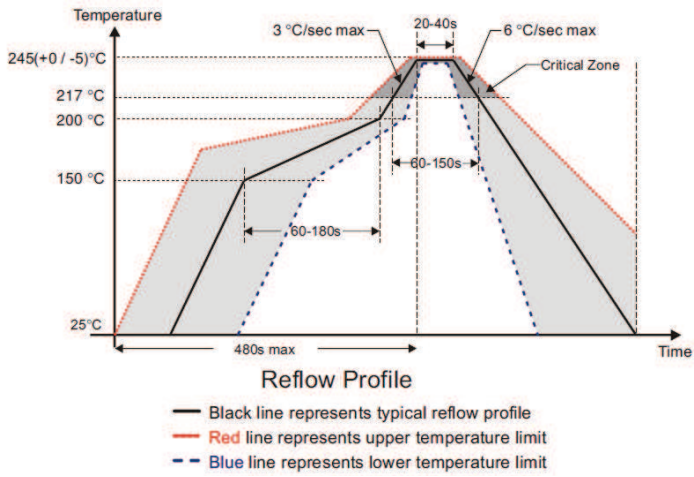


SCHEMATIC

LED SPECIFICATION @20mA FORWARD CURRENT

Color	GREEN	YELLOW
Wavelength	570nm Typ	590nm Typ
Forward Voltage	2.2V Typ	2.1V Typ

REFLOW PROFILE



RJ45, Single Port, Tap Up, SMD, 100 Base-T

ARJE-0034

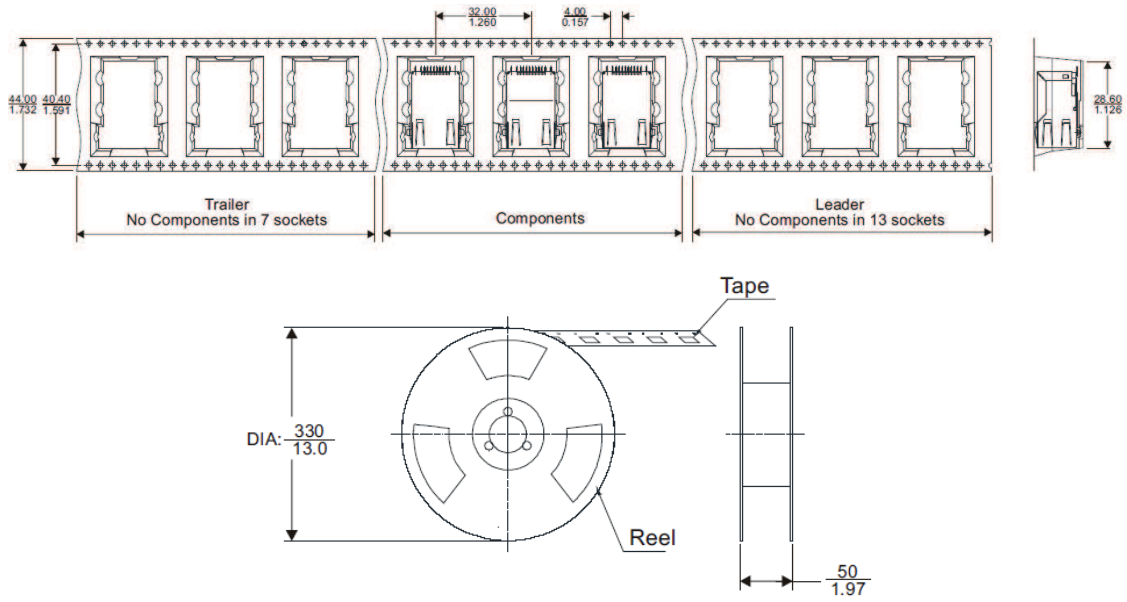
RoHS/RoHS II Compliant



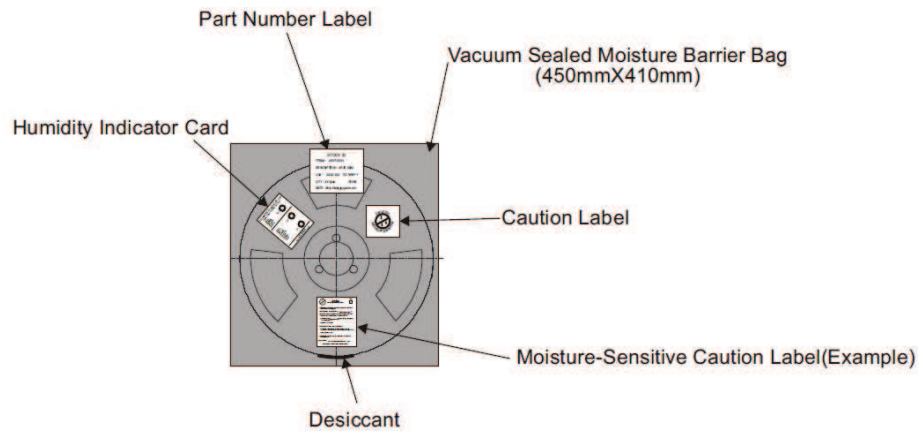
16.10 x 13.87 x 25.68mm

TAPE & REEL:

- Packing: (110pcs/Tape & Reel, 550pcs/Box) MOQ: 2,750pcs
- Packing Material: PET
- Moisture Sensitivity Level (MSL): 1 (MSL=1)



- Packing the goods with carrier, 110pcs/reel, paste part number label on bag as below.
- Place one reel (110pcs goods) into a vacuum sealed bag with desiccant, then heat seal.
- Place the goods packed into box, 550pcs/Box.



Dimension: mm/inch

ATTENTION: Abracon Corporation's products are COTS – Commercial-Off-The-Shelf products; suitable for Commercial, Industrial and, where designated, Automotive Applications. Abracon's products are not specifically designed for Military, Aviation, Aerospace, Life-dependant Medical applications or any application requiring high reliability where component failure could result in loss of life and/or property. For applications requiring high reliability and/or presenting an extreme operating environment, written consent and authorization from Abracon Corporation is required. Please contact Abracon Corporation for more information.

ABRACON IS
ISO 9001:2008
CERTIFIED



2 Faraday, Suite# B | Irvine | CA 92618 Revised: 11.19.15
Ph. 949.546.8000 | Fax. 949.546.8001
Visit www.abracon.com for Terms and Conditions of Sale