



Chipsmall Limited consists of a professional team with an average of over 10 year of expertise in the distribution of electronic components. Based in Hongkong, we have already established firm and mutual-benefit business relationships with customers from,Europe,America and south Asia,supplying obsolete and hard-to-find components to meet their specific needs.

With the principle of “Quality Parts,Customers Priority,Honest Operation,and Considerate Service”,our business mainly focus on the distribution of electronic components. Line cards we deal with include Microchip,ALPS,ROHM,Xilinx,Pulse,ON,Everlight and Freescale. Main products comprise IC,Modules,Potentiometer,IC Socket,Relay,Connector.Our parts cover such applications as commercial,industrial, and automotives areas.

We are looking forward to setting up business relationship with you and hope to provide you with the best service and solution. Let us make a better world for our industry!



Contact us

Tel: +86-755-8981 8866 Fax: +86-755-8427 6832

Email & Skype: info@chipsmall.com Web: www.chipsmall.com

Address: A1208, Overseas Decoration Building, #122 Zhenhua RD., Futian, Shenzhen, China



RJ45 PoE 10/100 Base-TX Jack with Magnetic Module



16.26 x 13.84 x 21.59 mm

RoHS
Compliant

ARJP11A

FEATURES:

- PoE
- Available with or without LED
- Suitable CAT 5 & 6 cable and UTP
- Comply IEEE 802.3ab
- LAN Magnetic with RJ45
- Suitable for RoHS compliant reflow

APPLICATIONS:

- 10/100 base-TX LAN
- NIC, LoM and PC

STANDARD SPECIFICATIONS at 25°C

Operating temperature range: 0°C to +70°C Storage temperature range: -40°C to +85°C

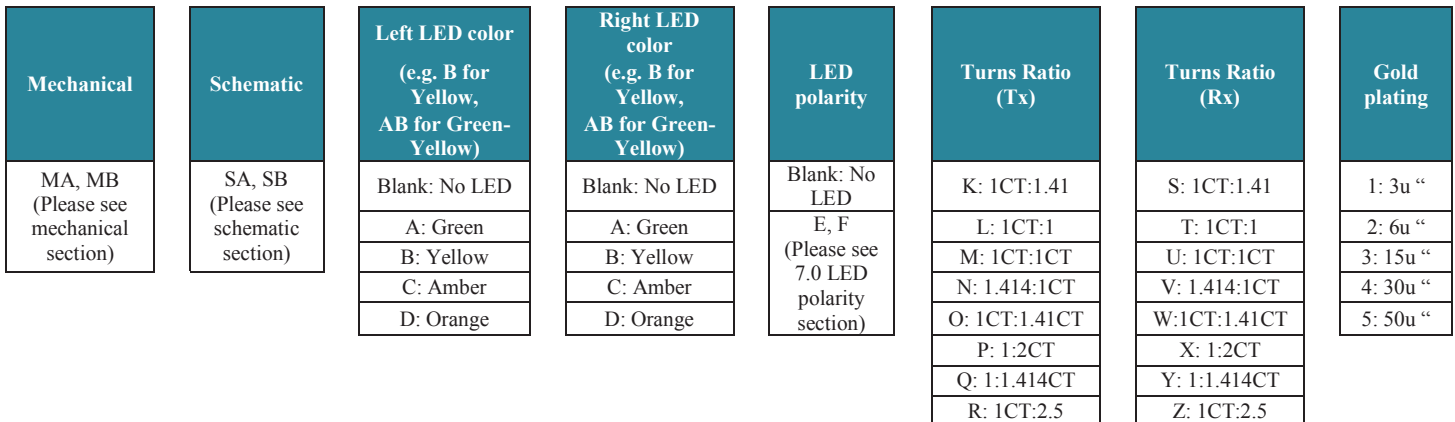
Part Number	Turns Ratio $\pm 3\%$		EMI Fingers	LEDs L/R	Insertion Loss (dB max) 0.3- 100 MHz	Return Loss (dB MIN @100Ω)			
	TX	RX				0.5- 30 MHz	40 MHz	50 MHz	60 - 80 MHz
ARJP11A-MASA-B-A-EMU2	1CT:1CT	1CT:1CT	YES	Y/G	-1.1	-18	-15.5	-13.6	-12
ARJP11A-MASA-B-A-FMU2	1CT:1CT	1CT:1CT	YES	Y/G	-1.1	-18	-15.5	-13.6	-12
ARJP11A-MBSB-A-B-EMU2	1CT:1CT	1CT:1CT	YES	G/Y	-1.1	-18	-15.5	-13.6	-12
ARJP11A-MBSB-A-B-FMU2	1CT:1CT	1CT:1CT	YES	G/Y	-1.1	-18	-15.5	-13.6	-12

Part Number	Crosstalk (dB TYP)	Common Mode Rejection (dB TYP)			Hipot (Vrms min)
	0.3 - 100 MHz	0.3 - 30 MHz	30 - 60 MHz	60 - 100 MHz	
ARJP11A-MASA-B-A-EMU2	-38	-50	-40	-30	1500
ARJP11A-MASA-B-A-FMU2	-38	-50	-40	-30	1500
ARJP11A-MBSB-A-B-EMU2	-38	-50	-40	-30	1500
ARJP11A-MBSB-A-B-FMU2	-38	-50	-40	-30	1500

Contact Abracon for more custom configurations. See options to build a custom configuration.

OPTIONS AND PART IDENTIFICATION

ARJP11A - - - -



RJ45 PoE 10/100 Base-TX Jack with Magnetic Module

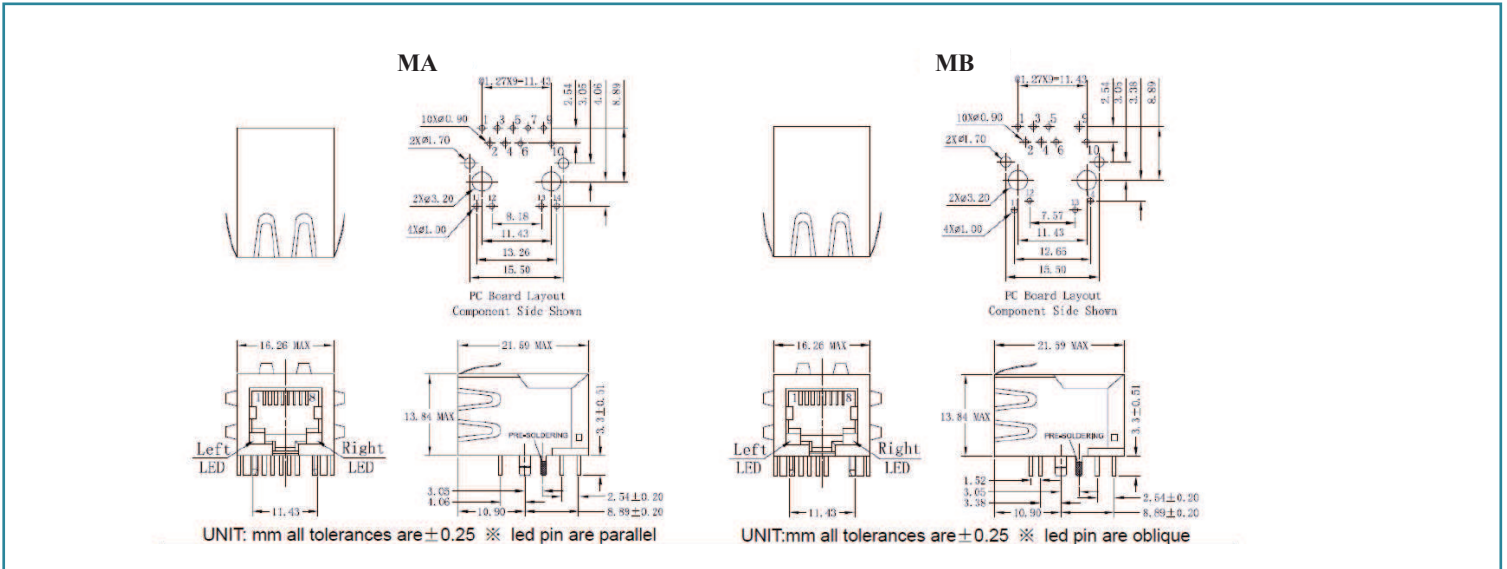
ARJP11A

RoHS
Compliant

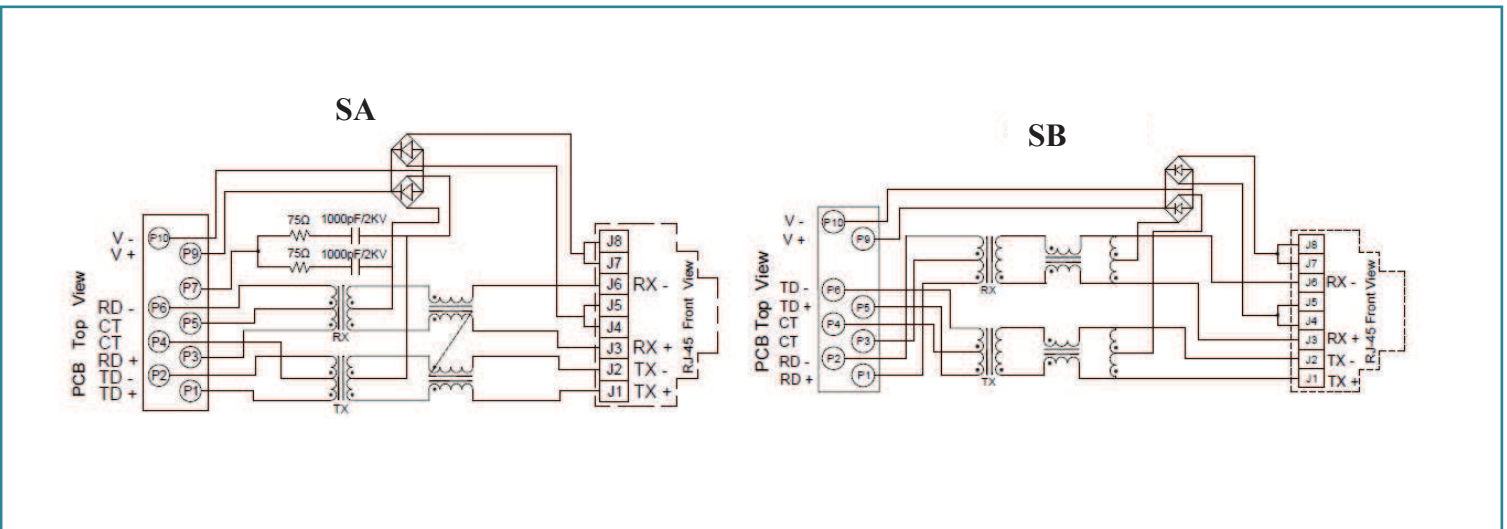


16.26 x 13.84 x 21.59 mm

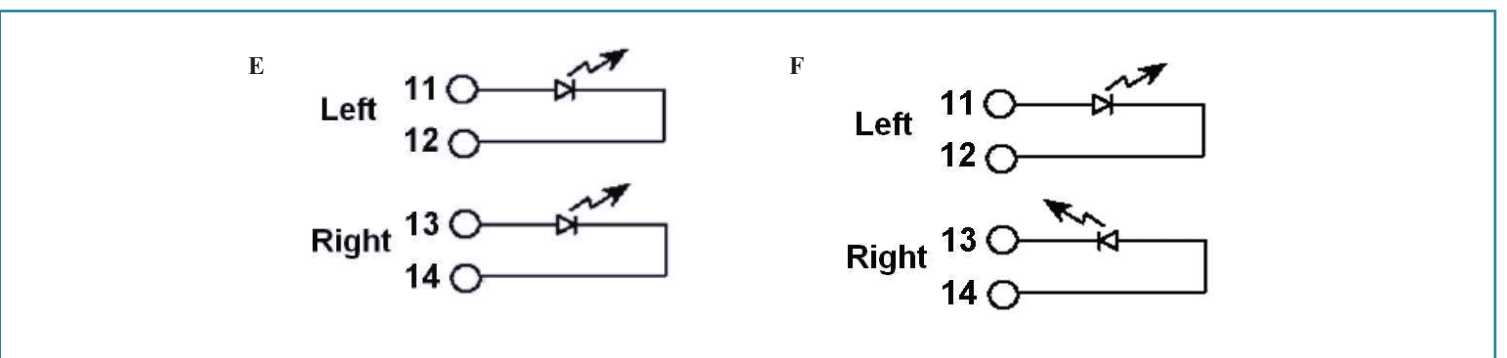
MECHANICAL DIMENSIONS



SCHEMATICS



LED POLARITY



RJ45 PoE 10/100 Base-TX Jack with Magnetic Module

ARJP11A

RoHS
Compliant

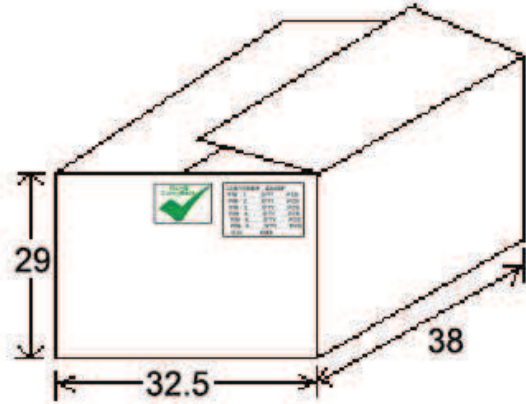
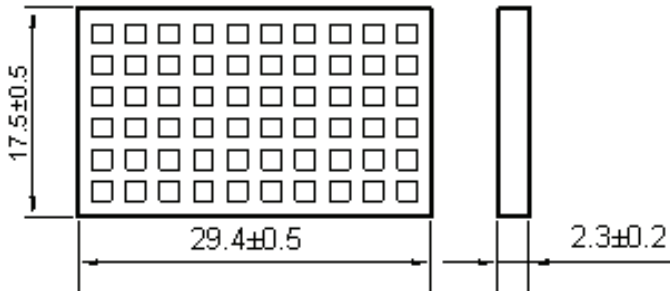


16.26 x 13.84 x 21.59 mm

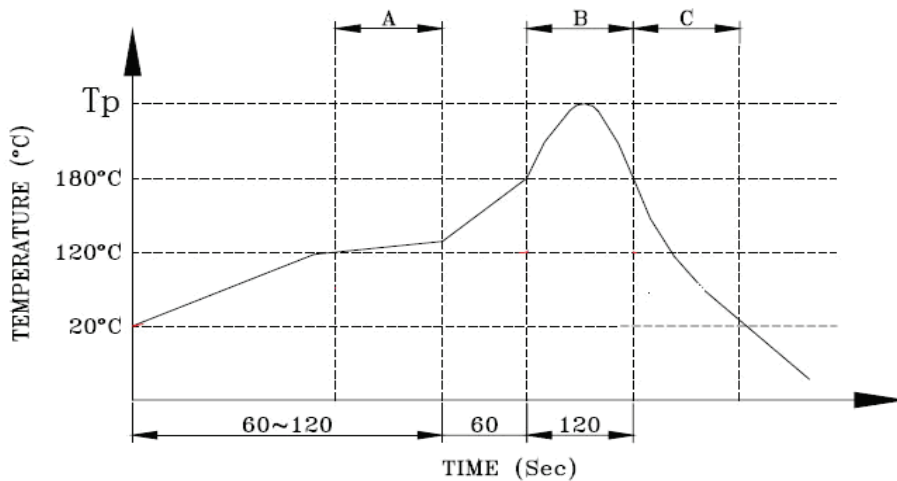
PACKING: 60pcs/tray

Packaging material: PET

Outer carton unit : 1320 pcs/ 22 Trays/box



REFLOW PROFILE:



Peak temperature(T_p) : $250 \pm 10^\circ\text{C}$
Peak temperature(T_p) time : 5sec max

A. Preheating B. Soldering C. Gradual Cooling

ATTENTION: Abracon Corporation's products are COTS – Commercial-Off-The-Shelf products; suitable for Commercial, Industrial and, where designated, Automotive Applications. Abracon's products are not specifically designed for Military, Aviation, Aerospace, Life-dependant Medical applications or any application requiring high reliability where component failure could result in loss of life and/or property. For applications requiring high reliability and/or presenting an extreme operating environment, written consent and authorization from Abracon Corporation is required. Please contact Abracon Corporation for more information.

ABRACON IS
ISO 9001:2008
CERTIFIED



Visit www.abracon.com for Terms & Conditions of Sale
30332 Esperanza, Rancho Santa Margarita, California 92688
tel 949-546-8000 | fax 949-546-8001 | www.abracon.com

Revised: 05.13.16