



Chipsmall Limited consists of a professional team with an average of over 10 year of expertise in the distribution of electronic components. Based in Hongkong, we have already established firm and mutual-benefit business relationships with customers from,Europe,America and south Asia,supplying obsolete and hard-to-find components to meet their specific needs.

With the principle of “Quality Parts,Customers Priority,Honest Operation,and Considerate Service”,our business mainly focus on the distribution of electronic components. Line cards we deal with include Microchip,ALPS,ROHM,Xilinx,Pulse,ON,Everlight and Freescale. Main products comprise IC,Modules,Potentiometer,IC Socket,Relay,Connector.Our parts cover such applications as commercial,industrial, and automotives areas.

We are looking forward to setting up business relationship with you and hope to provide you with the best service and solution. Let us make a better world for our industry!



## Contact us

Tel: +86-755-8981 8866 Fax: +86-755-8427 6832

Email & Skype: info@chipsmall.com Web: www.chipsmall.com

Address: A1208, Overseas Decoration Building, #122 Zhenhua RD., Futian, Shenzhen, China



# RJ45 10/100 Base-T Jack with Magnetic Module and PoE

ARJP11C

RoHS  
Compliant



16.6 x 13.5 x 32.6 mm

## FEATURES:

- PoE
- Available with or without LED
- Suitable CAT 5 & 6 cable and UTP
- Comply IEEE 802.3ab
- LAN Magnetic with RJ45
- Suitable for RoHS compliant reflow

## APPLICATIONS:

- 10/100 base-T LAN
- NIC, LoM and PC

## STANDARD SPECIFICATIONS at 25°C

Operating temperature range: 0°C to +70°C Storage temperature range: -40°C to +85°C

| Part Number            | Turns Ratio ± 5% |         | EMI Fingers | LEDs L/R | Insertion Loss (dB TYP) 1- 100 MHz | Return Loss (dB TYP @100Ω±15Ω) |        |             |
|------------------------|------------------|---------|-------------|----------|------------------------------------|--------------------------------|--------|-------------|
|                        | Tx               | Rx      |             |          |                                    | 1- 10 MHz                      | 30 MHz | 60 - 80 MHz |
| ARJP11C-MASA-A-B-EMU2  | 1CT:1CT          | 1CT:1CT | Yes         | G/Y      | -1                                 | -20                            | -16    | -12         |
| ARJP11C-MASB-AB-A-FMU2 | 1CT:1CT          | 1CT:1CT | Yes         | G Y/G    | -1                                 | -20                            | -16    | -12         |
| ARJP11C-MBSC-L2        | 1CT:1            | 1CT:1   | Yes         | NONE     | -1                                 | -20                            | -16    | -12         |
| ARJP11C-MASD-AB-A-FMU2 | 1CT:1CT          | 1CT:1CT | Yes         | G Y/G    | -1                                 | -20                            | -16    | -12         |

| Part Number            | Crosstalk (dB TYP) |             |              | Common Mode Rejection (dB TYP) |              | Hipot (Vrms) @60Hz |
|------------------------|--------------------|-------------|--------------|--------------------------------|--------------|--------------------|
|                        | 1 - 10 MHz         | 30 - 60 MHz | 60 - 100 MHz | 1 - 50 MHz                     | 50 - 130 MHz |                    |
| ARJP11C-MASA-A-B-EMU2  | -40                | -35         | -30          | -26                            | -20          | 1500               |
| ARJP11C-MASB-AB-A-FMU2 | -40                | -35         | -30          | -26                            | -20          | 1500               |
| ARJP11C-MBSC-L2        | -40                | -35         | -30          | -26                            | -20          | 1000               |
| ARJP11C-MASD-AB-A-FMU2 | -40                | -35         | -30          | -26                            | -20          | 1000               |

Contact Abracon for more custom configurations. See options to build a custom configuration.

## OPTIONS AND PART IDENTIFICATION

ARJP11C- [ ] [ ] - [ ] - [ ] - [ ] [ ] [ ] [ ]

| Mechanical                                | Schematic                                 | Left LED color (e.g. B for Yellow, AB for Green-Yellow)         | Right LED color (e.g. B for Yellow, AB for Green-Yellow)        | LED polarity   | Turns Ratio (Tx)   | Turns Ratio (Rx)   | Gold plating  |
|---|---|---|---|--|--|--|---|
| MA, MB<br>(Please see mechanical section) | SA ~ SD<br>(Please see schematic section) | Blank: No LED<br>A: Green<br>B: Yellow<br>C: Amber<br>D: Orange | Blank: No LED<br>A: Green<br>B: Yellow<br>C: Amber<br>D: Orange | Blank: No LED<br>E, F<br>(Please see 7.0 LED polarity section) | K: 1CT:1.41<br>L: 1CT:1<br>M: 1CT:1CT<br>N: 1.414:1CT<br>O: 1CT:1.41CT<br>P: 1:2CT<br>Q: 1:1.414CT<br>R: 1CT:2.5 | S: 1CT:1.41<br>Blank: 1CT:1<br>U: 1CT:1CT<br>V: 1.414:1CT<br>W: 1CT:1.41CT<br>X: 1:2CT<br>Y: 1:1.414CT<br>Z: 1CT:2.5 | 1: 3u <sup>“</sup><br>2: 6u <sup>“</sup><br>3: 15u <sup>“</sup><br>4: 30u <sup>“</sup><br>5: 50u <sup>“</sup> |

# RJ45 10/100 Base-T Jack with Magnetic Module and PoE

ARJP11C

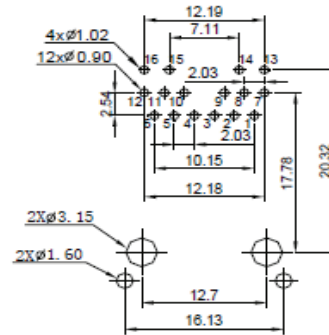
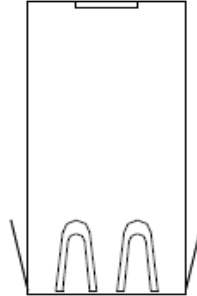
RoHS  
Compliant



16.6 x 13.5 x 32.6 mm

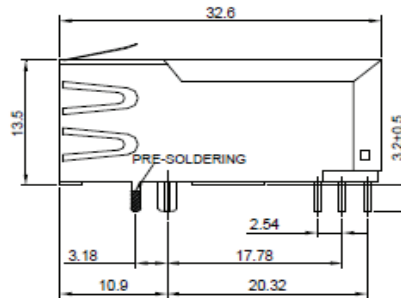
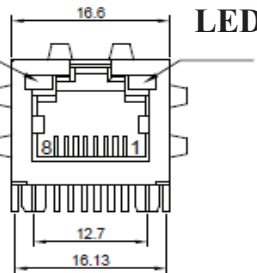
## MECHANICAL DIMENSIONS

MA

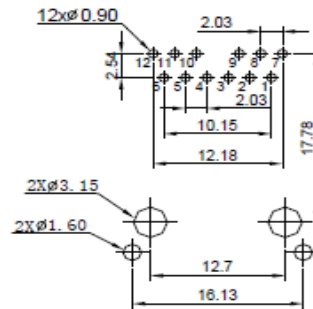


PC Board Layout  
Component Side Shown

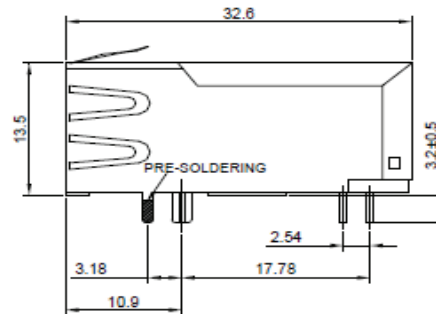
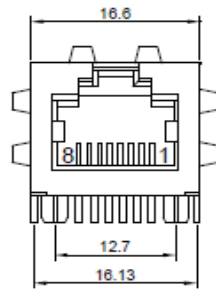
LED



MB



PC Board Layout  
Component Side Shown



# RJ45 10/100 Base-T Jack with Magnetic Module and PoE

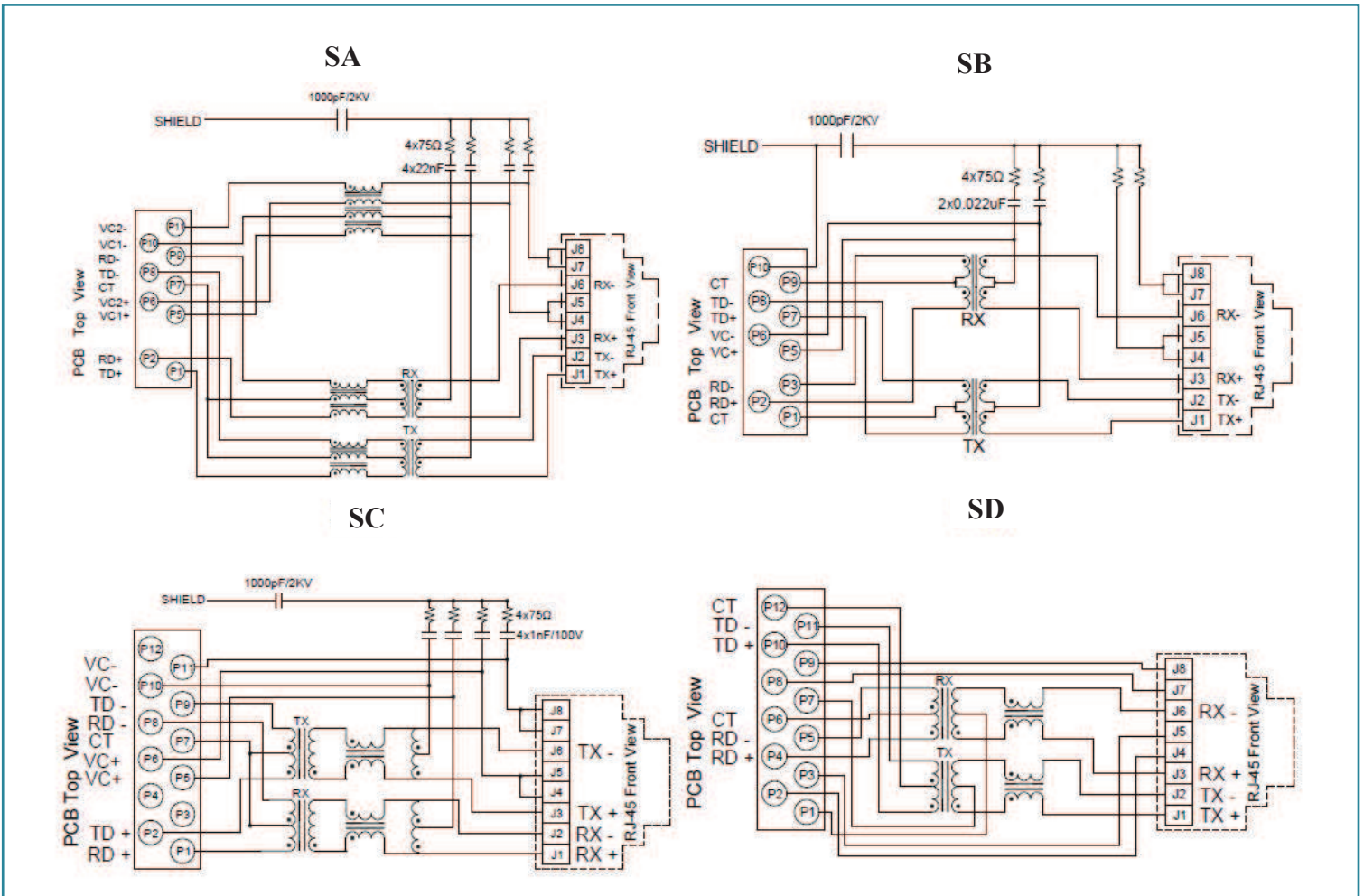
ARJP11C

RoHS  
Compliant

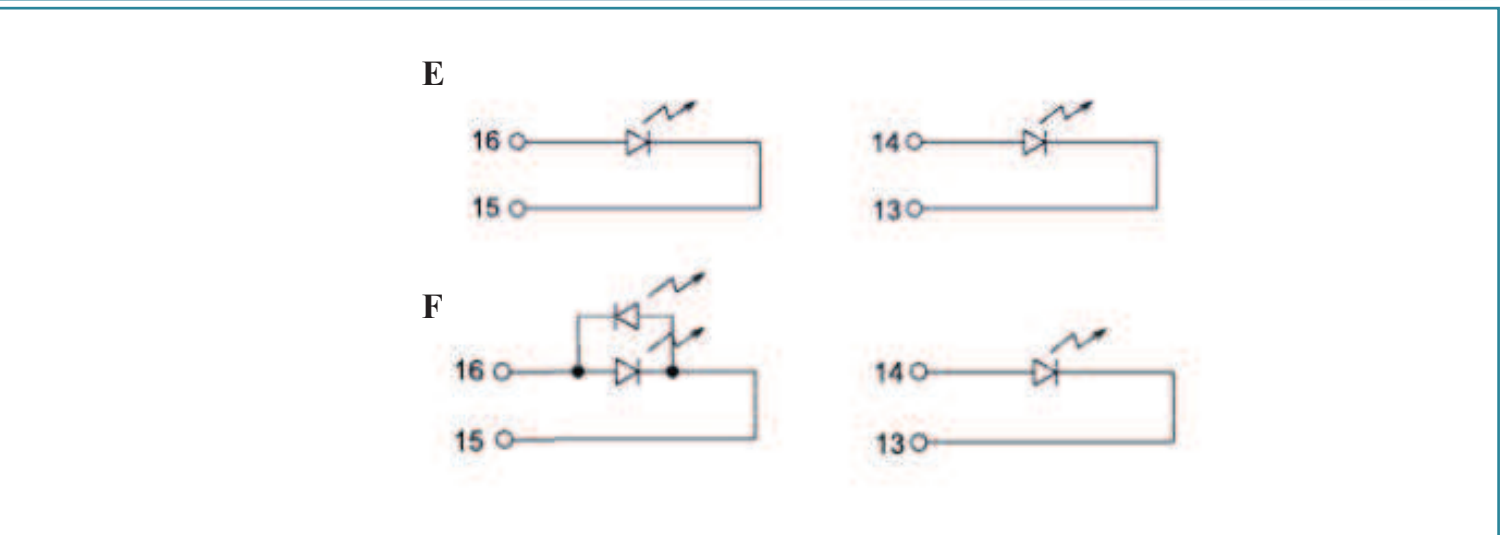


16.6 x 13.5 x 32.6 mm

## SCHEMATICS



## LED POLARITY



ABRACON IS  
ISO 9001:2008  
CERTIFIED

**ABRACON** LLC  
The Power of Linking Together

2 Faraday, Suite# B | Irvine | CA 92618 Revised: 04.18.16  
Ph. 949.546.8000 | Fax. 949.546.8001  
Visit [www.abracon.com](http://www.abracon.com) for Terms and Conditions of Sale

# RJ45 10/100 Base-T Jack with Magnetic Module and PoE

ARJP11C

RoHS  
Compliant

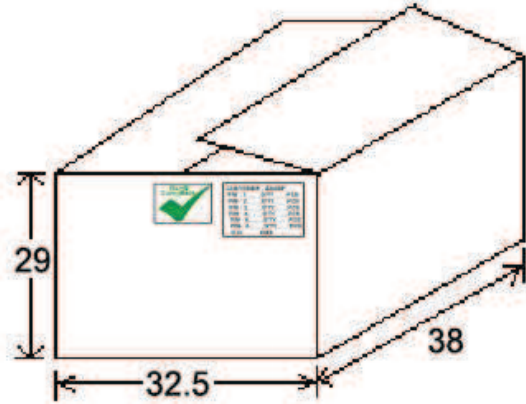
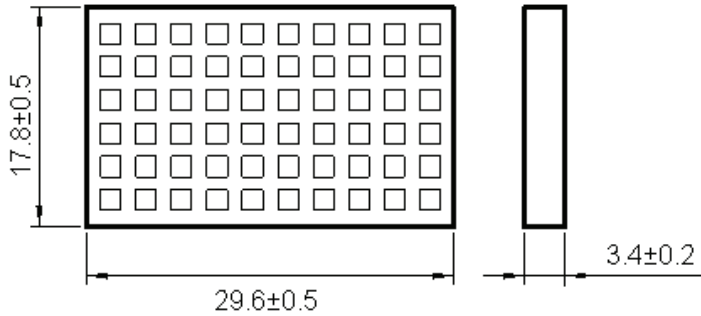


16.6 x 13.5 x 32.6 mm

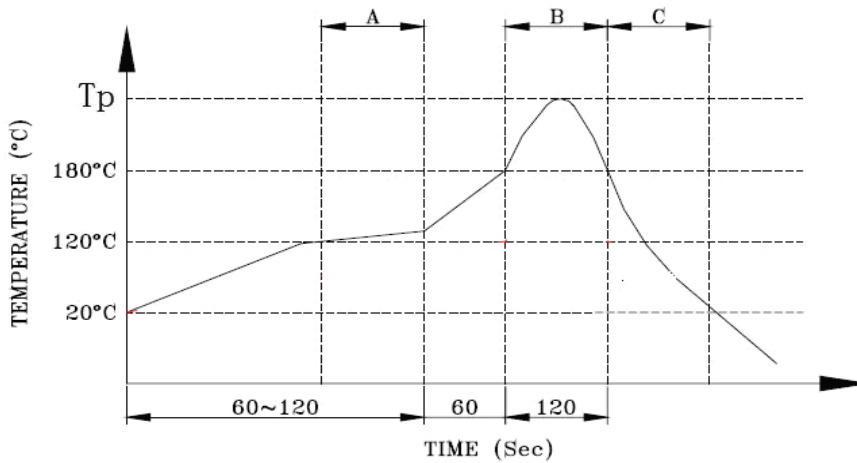
PACKING: 60pcs/tray

Packaging material: PET

Outer carton unit : 840 pcs/ 14 Trays/box



REFLOW PROFILE:



Peak temperature( $T_p$ ) :  $250 \pm 10^\circ\text{C}$   
Peak temperature( $T_p$ ) time : 5sec max

A. Preheating B. Soldering C. Gradual Cooling

**ATTENTION:** Abracon Corporation's products are COTS – Commercial-Off-The-Shelf products; suitable for Commercial, Industrial and, where designated, Automotive Applications. Abracon's products are not specifically designed for Military, Aviation, Aerospace, Life-dependant Medical applications or any application requiring high reliability where component failure could result in loss of life and/or property. For applications requiring high reliability and/or presenting an extreme operating environment, written consent and authorization from Abracon Corporation is required. Please contact Abracon Corporation for more information.

ABRACON IS  
ISO 9001:2008  
CERTIFIED



2 Faraday, Suite# B | Irvine | CA 92618 **Revised: 04.18.16**  
Ph. 949.546.8000 | Fax. 949.546.8001  
Visit [www.abracon.com](http://www.abracon.com) for Terms and Conditions of Sale