



Chipsmall Limited consists of a professional team with an average of over 10 year of expertise in the distribution of electronic components. Based in Hongkong, we have already established firm and mutual-benefit business relationships with customers from,Europe,America and south Asia,supplying obsolete and hard-to-find components to meet their specific needs.

With the principle of “Quality Parts,Customers Priority,Honest Operation,and Considerate Service”,our business mainly focus on the distribution of electronic components. Line cards we deal with include Microchip,ALPS,ROHM,Xilinx,Pulse,ON,Everlight and Freescale. Main products comprise IC,Modules,Potentiometer,IC Socket,Relay,Connector.Our parts cover such applications as commercial,industrial, and automotives areas.

We are looking forward to setting up business relationship with you and hope to provide you with the best service and solution. Let us make a better world for our industry!



Contact us

Tel: +86-755-8981 8866 Fax: +86-755-8427 6832

Email & Skype: info@chipsmall.com Web: www.chipsmall.com

Address: A1208, Overseas Decoration Building, #122 Zhenhua RD., Futian, Shenzhen, China



RJ45 Single USB Jack with 10/100 Base-TX Magnetic

ARJU21A

RoHS/RoHSII Compliant



16.78 x 21.08 x 26.00 mm

FEATURES:

- Tab up RJ45 Jack + USB
- Available with or without LED
- Suitable CAT 5 & 6 cable and UTP
- Comply IEEE 802.3ab
- LAN Magnetic with RJ4
- Suitable for RoHS compliant reflow

APPLICATIONS:

- 10 and 100 Base-TX
- NIC, LoM and PC

STANDARD SPECIFICATIONS

Operating temperature range: 0°C to +70°C Storage temperature range: -40°C to +85°C

Part Number	Turns Ratio $\pm 5\%$		EMI Fingers	LEDs L/R	Insertion Loss (dB max) 1 - 100 MHz	Return Loss (dB MIN @100 Ω \pm 15 Ω)		
	TX	RX				1 - 30 MHz	30 - 60 MHz	60 - 80 MHz
ARJU21A-MCSA-AD-B-EMU2	1CT:1CT	1CT:1CT	Yes	GO/Y	-1.0dB	-18dB	-18+20Log(F/30MHz)	-12dB

Part Number	Crosstalk (dB TYP)	Common Mode Rejection (dB MIN)	DCMR (dB MIN)	Hipot (Vrms)
	0.5 - 100 MHz	0.3 - 100 MHz	1 - 100 MHz	@ 60Hz
ARJU21A-MCSA-AD-B-EMU2	-35dB	-30dB	-35dB	1500

OPTIONS AND PART IDENTIFICATION

ARJU21A - [] [] - [] - [] - [] [] [] []

Mechanical	Schematic	Left LED color (e.g. B for Yellow, AB for Green-Yellow)	Right LED color (e.g. B for Yellow, AB for Green-Yellow)	LED polarity	Turns Ratio (Tx)	Turns Ratio (Rx)	Gold plating
MA ~ MD (Please see mechanical section)	SA (Please see schematic section)	Blank: No LED A: Green B: Yellow C: Amber D: Orange	Blank: No LED A: Green B: Yellow C: Amber D: Orange	Blank: No LED E ~ G (Please see 7.0 LED polarity section)	K: 1CT:1.41 L: 1CT:1 M: 1CT:1CT N: 1.414:1CT O: 1CT:1.41CT P: 1:2CT Q: 1:1.414CT R: 1CT:2.5	S: 1CT:1.41 T: 1CT:1 U: 1CT:1CT V: 1.414:1CT W: 1CT:1.41CT X: 1:2CT Y: 1:1.414CT Z: 1CT:2.5	1: 3u “ 2: 6u “ 3: 15u “ 4: 30u “ 5: 50u “



RJ45 Single USB Jack with 10/100 Base-TX Magnetic

ARJU21A

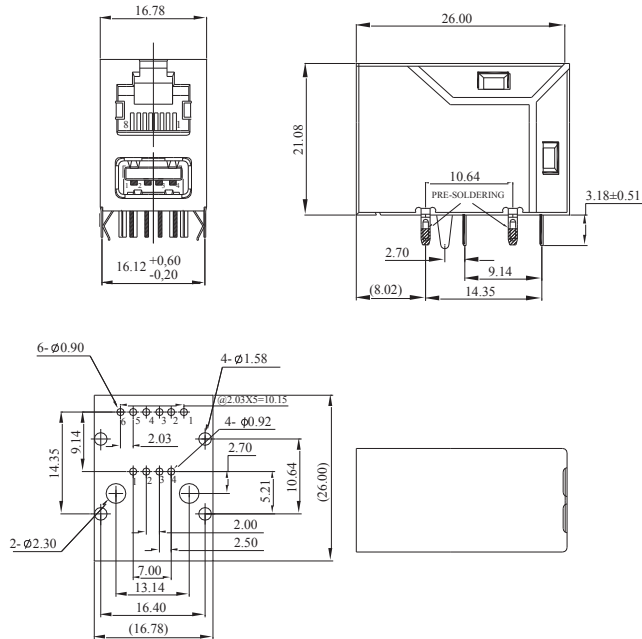
RoHS
Compliant



16.78 x 21.08 x 26.00 mm

MECHANICAL DIMENSIONS

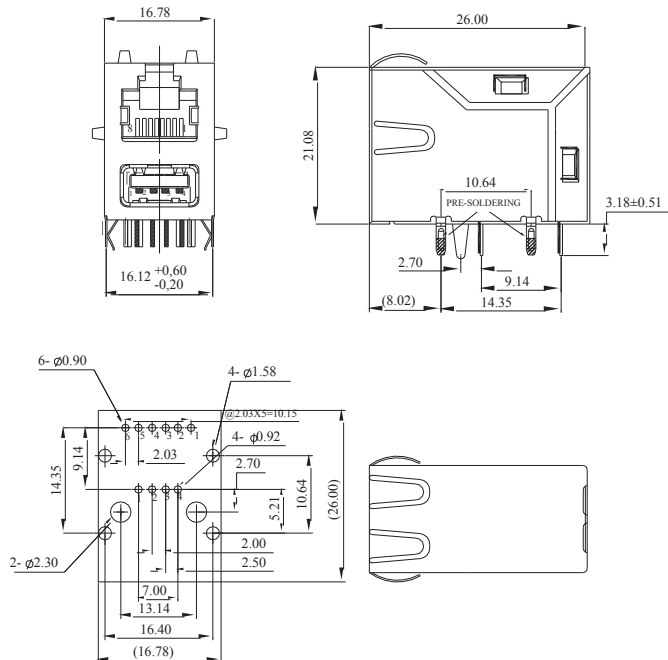
MA



PC Board Layout
Component Side Shown

n

MB



PC Board Layout
Component Side Shown

RJ45 Single USB Jack with 10/100 Base-TX Magnetic

ARJU21A

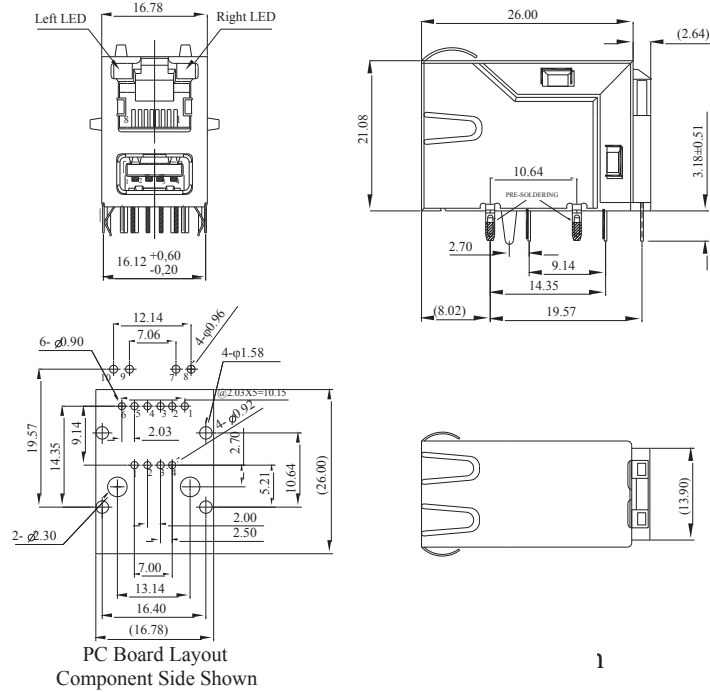
RoHS
Compliant



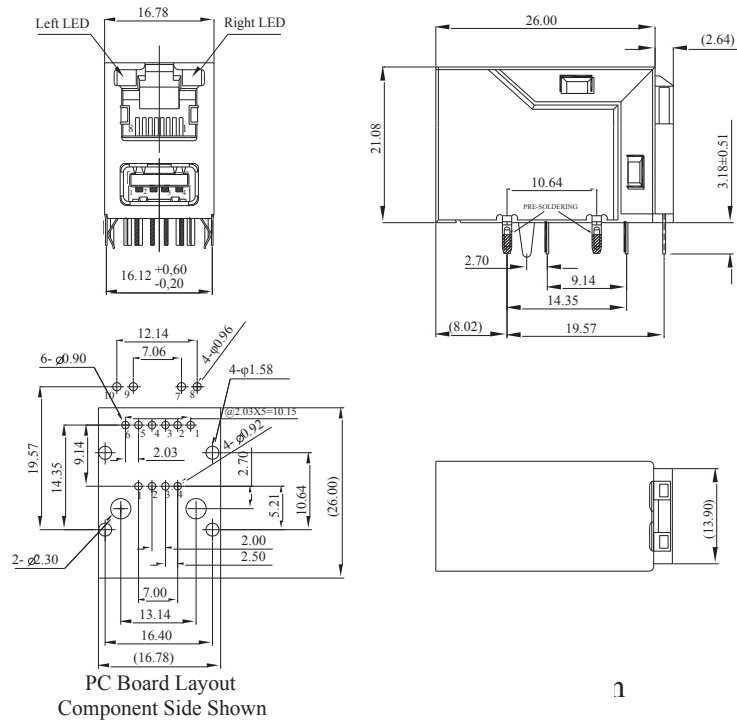
16.78 x 21.08 x 26.00 mm

MECHANICAL DIMENSIONS

MC

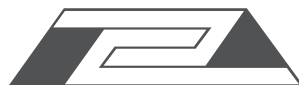


MD



Dimension: mm. All tolerances are ±0.25 unless otherwise specified

ABRACON IS
ISO 9001:2008
CERTIFIED



ABRACON
CORPORATION

Visit www.abracon.com for Terms & Conditions of Sale
30332 Esperanza, Rancho Santa Margarita, California 92688
tel 949-546-8000 | fax 949-546-8001 | www.abracon.com

Revised: 01.23.14

RJ45 Single USB Jack with 10/100 Base-TX Magnetic

ARJU21A

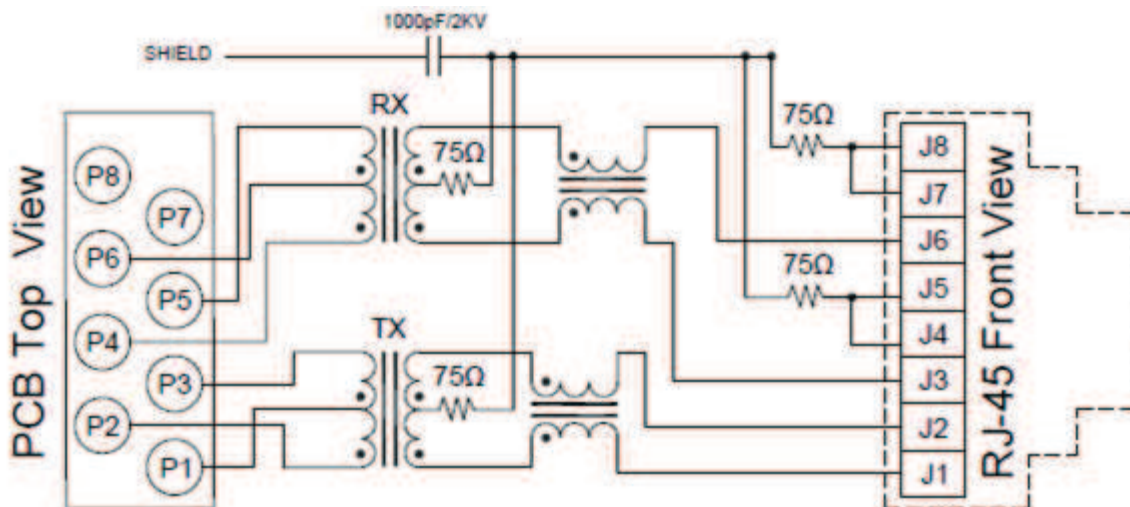
RoHS
Compliant



16.78 x 21.08 x 26.00 mm

SCHEMATICS

SA

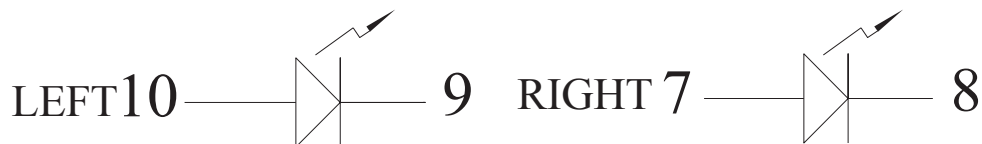


LED POLARITY

E



F



G



RJ45 Single USB Jack with 10/100 Base-TX Magnetic

ARJU21A

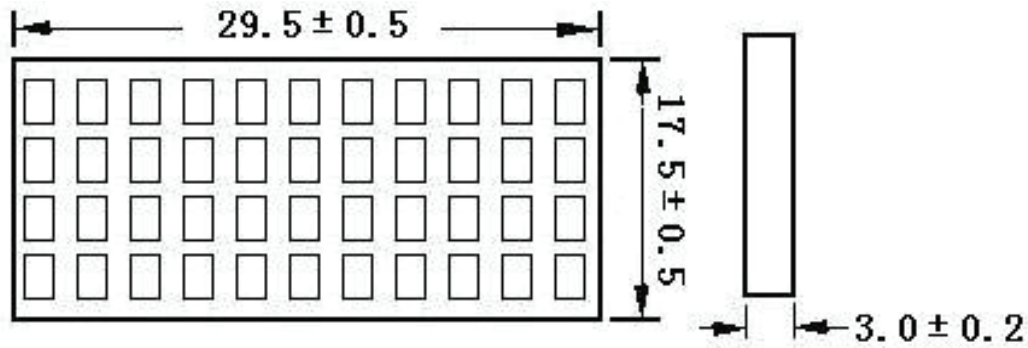
RoHS
Compliant



16.78 x 21.08 x 26.00 mm

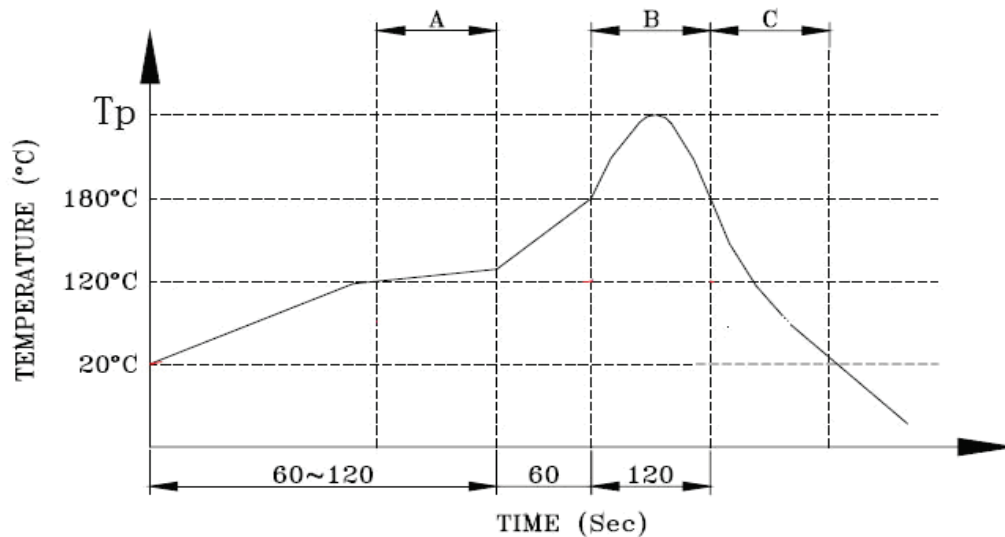
PACKING: 44pcs/tray

Packaging material: PET



Dimensions: cm

WAVE SOLDERING PROFILE:



—— PIN TEMPERATURE

A. Preheating B. Soldering C. Gradual Cooling

Peak temperature(Tp) : 250± 10°C

Peak temperature(Tp) time : 5sec max

ATTENTION: Abracon Corporation's products are COTS – Commercial-Off-The-Shelf products; suitable for Commercial, Industrial and, where designated, Automotive Applications. Abracon's products are not specifically designed for Military, Aviation, Aerospace, Life-dependant Medical applications or any application requiring high reliability where component failure could result in loss of life and/or property. For applications requiring high reliability and/or presenting an extreme operating environment, written consent and authorization from Abracon Corporation is required. Please contact Abracon Corporation for more information.

ABRACON IS
ISO 9001:2008
CERTIFIED



Visit www.abracon.com for Terms & Conditions of Sale
30332 Esperanza, Rancho Santa Margarita, California 92688
tel 949-546-8000 | fax 949-546-8001 | www.abracon.com

Revised: 01.23.14