



Chipsmall Limited consists of a professional team with an average of over 10 year of expertise in the distribution of electronic components. Based in Hongkong, we have already established firm and mutual-benefit business relationships with customers from,Europe,America and south Asia,supplying obsolete and hard-to-find components to meet their specific needs.

With the principle of “Quality Parts,Customers Priority,Honest Operation,and Considerate Service”,our business mainly focus on the distribution of electronic components. Line cards we deal with include Microchip,ALPS,ROHM,Xilinx,Pulse,ON,Everlight and Freescale. Main products comprise IC,Modules,Potentiometer,IC Socket,Relay,Connector.Our parts cover such applications as commercial,industrial, and automotives areas.

We are looking forward to setting up business relationship with you and hope to provide you with the best service and solution. Let us make a better world for our industry!



## Contact us

Tel: +86-755-8981 8866 Fax: +86-755-8427 6832

Email & Skype: info@chipsmall.com Web: www.chipsmall.com

Address: A1208, Overseas Decoration Building, #122 Zhenhua RD., Futian, Shenzhen, China



# RJ45 Jack with 10/100/1000 Base-TX Magnetic/Dual USB Combo

ARJU31B

RoHS  
Compliant



18.85 x 30.52 x 27.40 mm

## FEATURES:

- Tab up RJ 45 jack + 2 USB
- Available with or without LED
- Suitable CAT 5 & 6 cable and UTP
- Comply IEEE 802.3ab
- LAN Magnetic with RJ45 Jack
- Suitable for RoHS compliant reflow

## APPLICATIONS:

- 10, 100 and 1000 Base-TX
- NIC, LoM and PC

## STANDARD SPECIFICATIONS

Operating temperature range: 0°C to +70°C Storage temperature range: -40°C to +85°C

Part Number	Turns Ratio $\pm 5\%$		EMI Fingers	LEDs L/R	Insertion Loss (dB max) 1 - 100 MHz	Return Loss (dB MIN @100Ω±15Ω)		
	TX	RX				1 - 30 MHz	30 - 60 MHz	60 - 80 MHz
ARJU31B-MASB-AD-B-FLU2	1CT:1	1CT:1CT	No	G-O/Y	-1.0	-18	-16	-12
ARJU31B-MCSC-B-AD-GLU2	1CT:1	1CT:1CT	No	Y/G-O	-1.0	-18	-16	-12
ARJU31B-MASD-A-B-HLU2	1CT:1	1CT:1CT	No	G/Y	-1.0	-20	-14	-12
ARJU31B-MCSM-AD-B-GLT2	1CT:1	1CT:1	No	G-O/Y	-1.0	-18	-16	-12
ARJ31B-MCSN-A-AD-ELT2	1CT:1	1CT:1	No	G/G-O	-1.0	-18	-16	-12
ARJ31B-MCSO-A-AD-EMU2	1CT:1CT	1CT:1CT	No	G/G-O	-1.0	-18	-16	-12

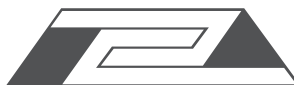
Part Number	Crosstalk (dB TYP)			Common Mode Rejection (dB TYP)		Hipot (Vrms) @ 60Hz
	1.0 - 10 MHz	32 - 60 MHz	60 - 100 MHz	1 - 50 MHz	50 - 100MHz	
ARJU31B-MASB-AD-B-FLU2	-40	-35	-30	-30	-20	1500
ARJU31B-MASC-B-AD-GLU2	-35	-35	-35	-30	-30	1500
ARJU31B-MASD-A-B-HLU2	-35	-35	--	-30	-30	1500
ARJU31B-MCSM-AD-B-ELT2	-35	-35	-35	-30	-30	1500
ARJ31B-MCSN-A-AD-LLT2	-40	-40	-35	-30	-25	1500
ARJ31B-MCSO-A-AD-LMU2	-40	-35	-30	-30	-20	1500

Contact Abracon for more custom configurations. See options to build a custom configuration.

## OPTIONS AND PART IDENTIFICATION

ARJU31B - [ ] [ ] - [ ] - [ ] - [ ] [ ] [ ] [ ]

Mechanical	Schematic	Left LED color (e.g. B for Yellow, AB for Green-Yellow)	Right LED color (e.g. B for Yellow, AB for Green-Yellow)	LED polarity	Turns Ratio (Tx)	Turns Ratio (Rx)	Gold plating
MA ~ MD (Please see mechanical section)	SA ~ ST (Please see schematic section)	Blank: No LED A: Green B: Yellow C: Amber D: Orange	Blank: No LED A: Green B: Yellow C: Amber D: Orange	Blank: No LED E ~ K (Please see 7.0 LED polarity section)	K: 1CT:1.41 L: 1CT:1 M: 1CT:1CT N: 1.414:1CT O: 1CT:1.41CT P: 1:2CT Q: 1:1.414CT R: 1CT:2.5	S: 1CT:1.41 T: 1CT:1 U: 1CT:1CT V: 1.414:1CT W:1CT:1.41CT X: 1:2CT Y: 1:1.414CT Z: 1CT:2.5	2: 6u“ 3: 15u“ 4: 30u“ 5: 50u“



# RJ45 Jack with 10/100/1000 Base-TX Magnetic/Dual USB Combo

ARJU31B

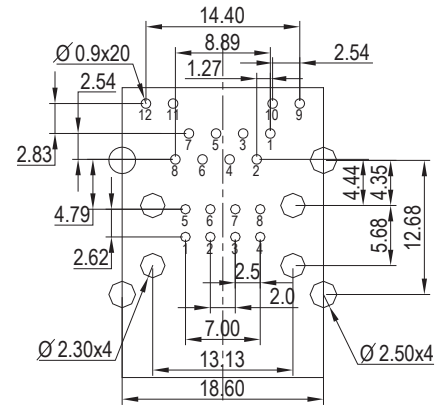
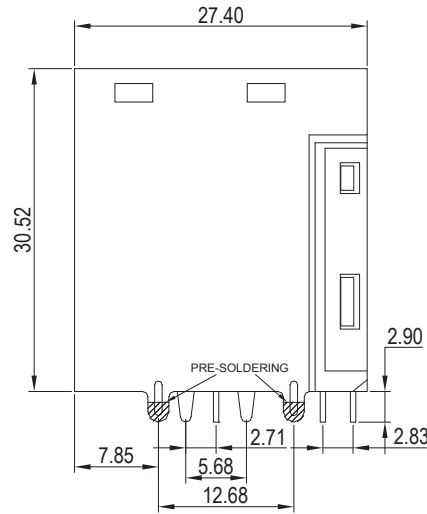
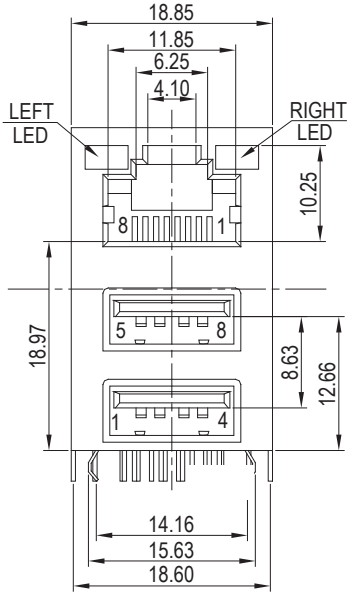
RoHS  
Compliant



18.85 x 30.52 x 27.40 mm

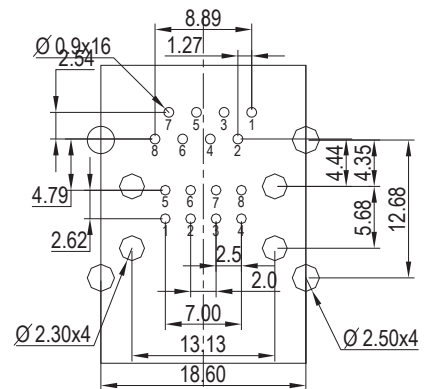
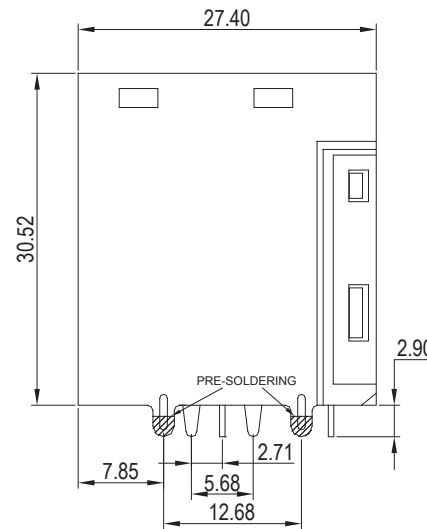
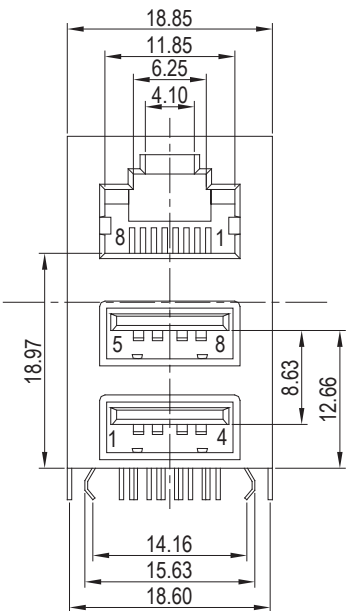
## MECHANICAL DIMENSIONS

### MA: 8PIN

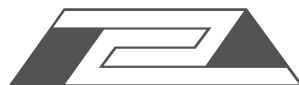


PC Board Layout  
Component Side Shown

### MB: 8PIN



PC Board Layout  
Component Side Shown



# RJ45 Jack with 10/100/1000 Base-TX Magnetic/Dual USB Combo

ARJU31B

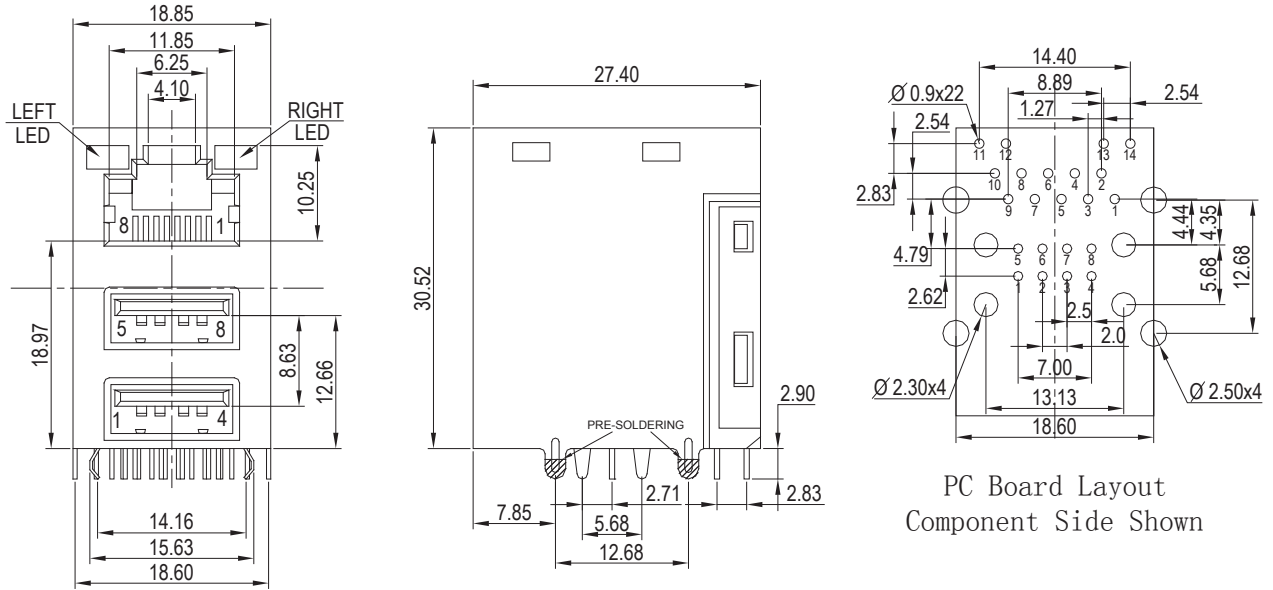
RoHS  
Compliant



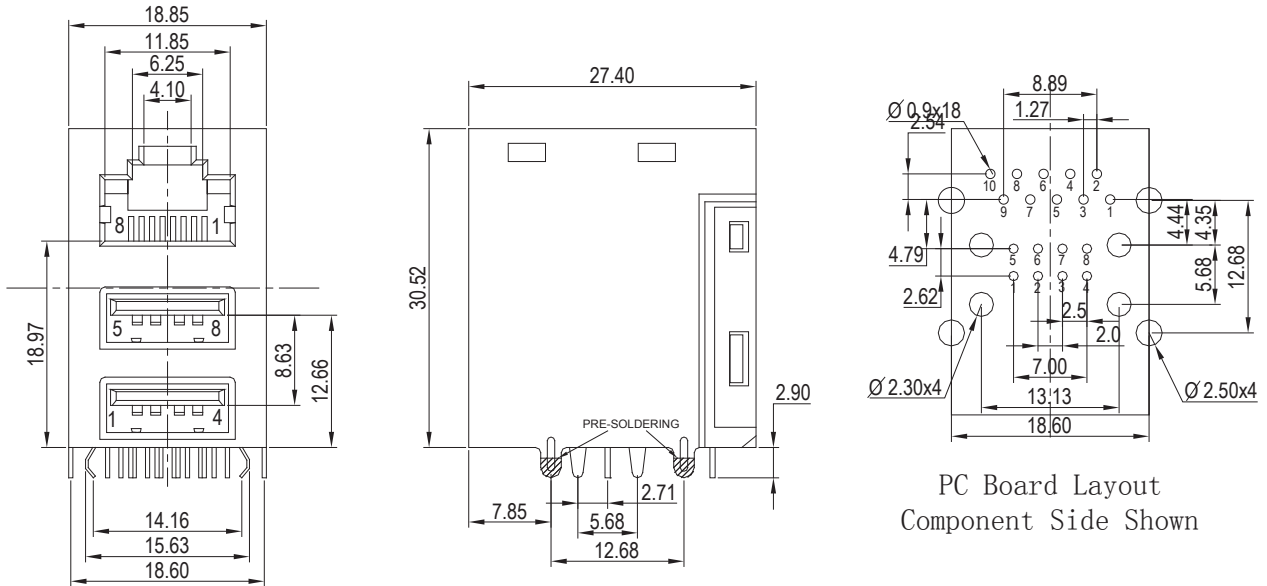
18.85 x 30.52 x 27.40 mm

## MECHANICAL DIMENSIONS

### MC: 10PIN



### MD: 10PIN



Dimension: mm. All tolerances are  $\pm 0.25$  unless otherwise specified

# RJ45 Jack with 10/100/1000 Base-TX Magnetic/Dual USB Combo

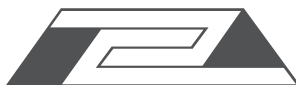
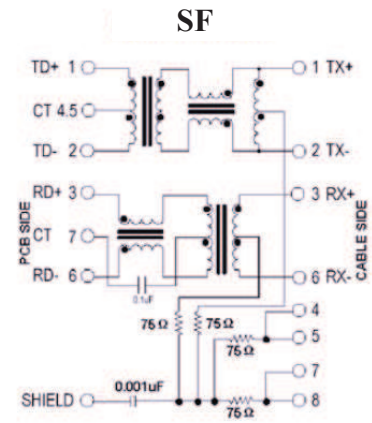
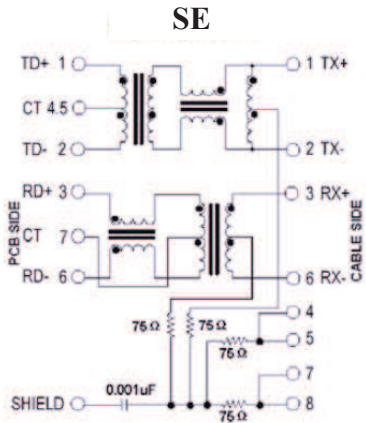
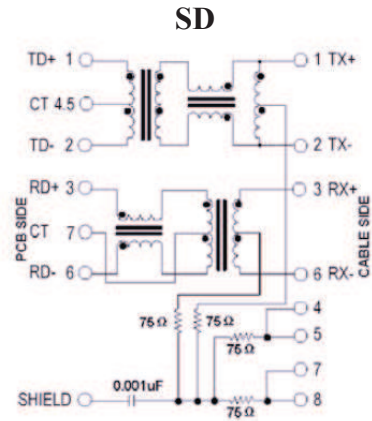
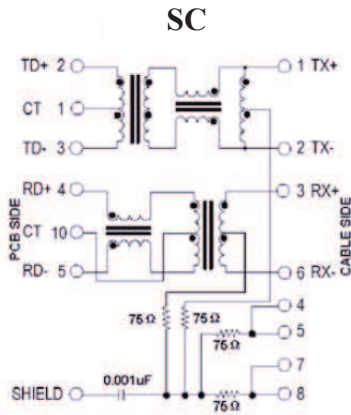
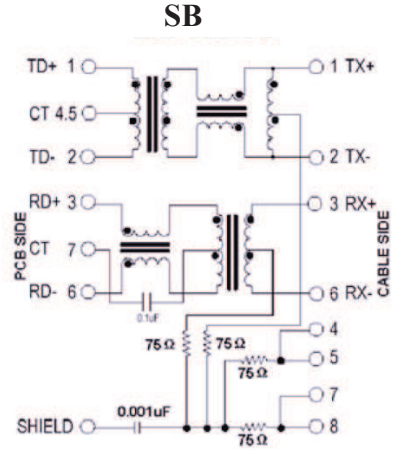
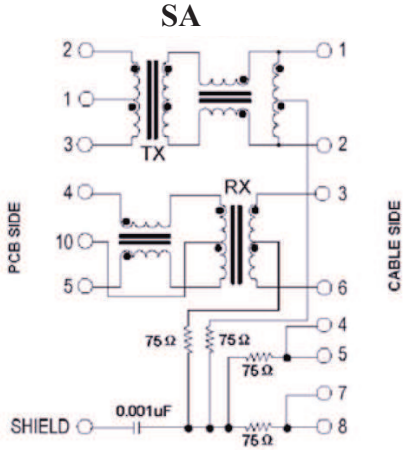
ARJU31B

RoHS  
Compliant



18.85 x 30.52 x 27.40 mm

## SCHEMATICS



# RJ45 Jack with 10/100/1000 Base-TX Magnetic/Dual USB Combo

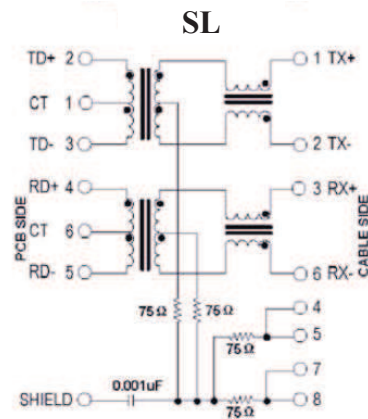
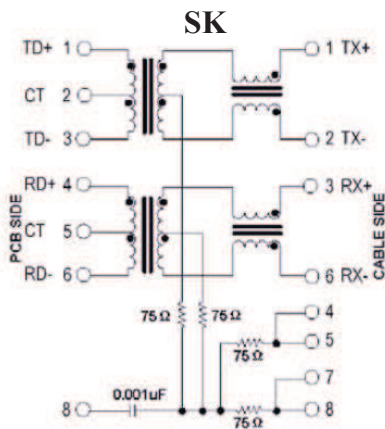
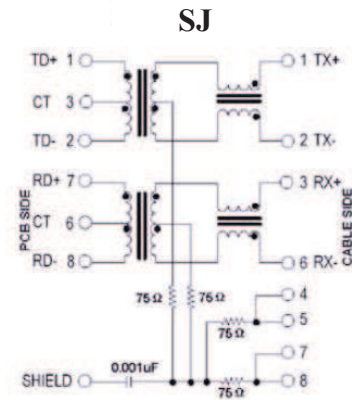
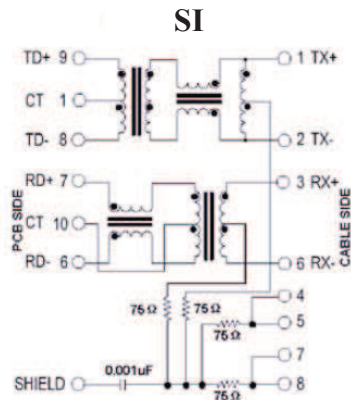
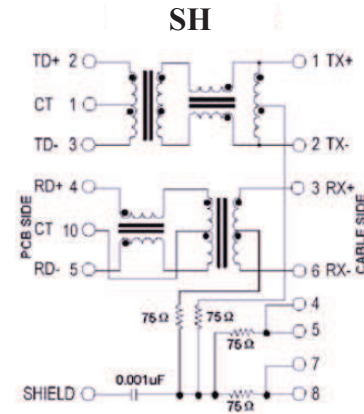
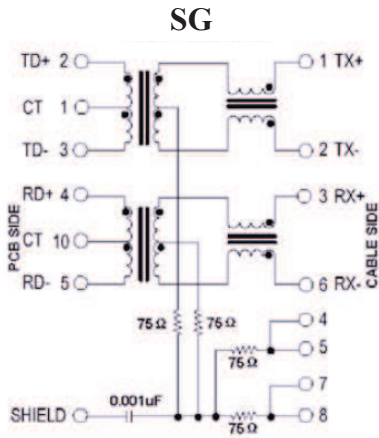
ARJU31B

RoHS  
Compliant



18.85 x 30.52 x 27.40 mm

## SCHEMATICS



# RJ45 Jack with 10/100/1000 Base-TX Magnetic/Dual USB Combo

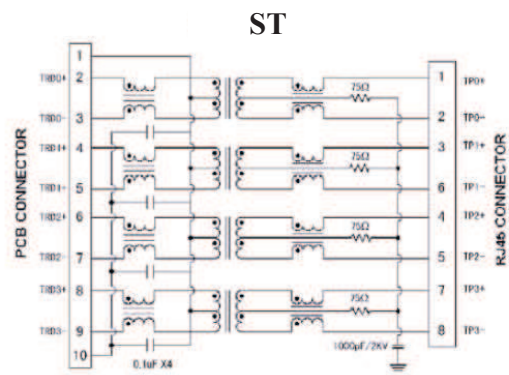
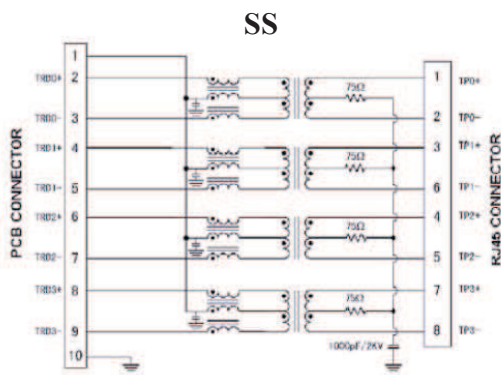
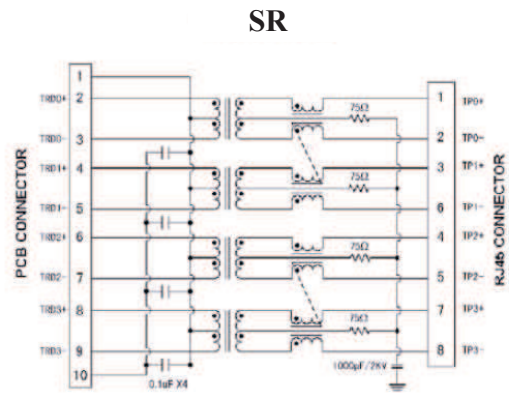
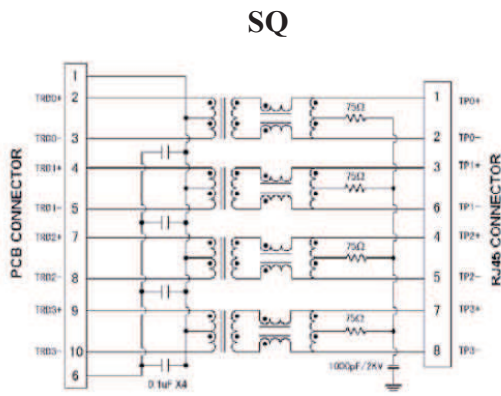
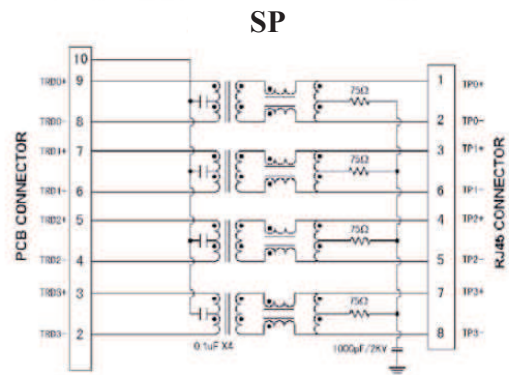
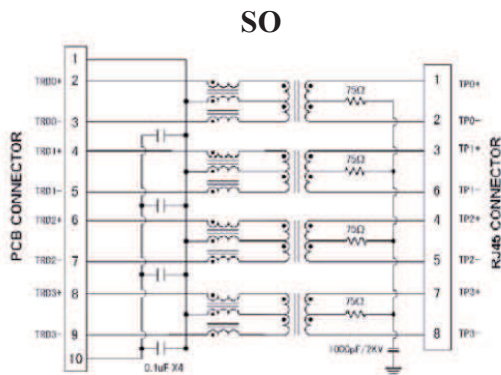
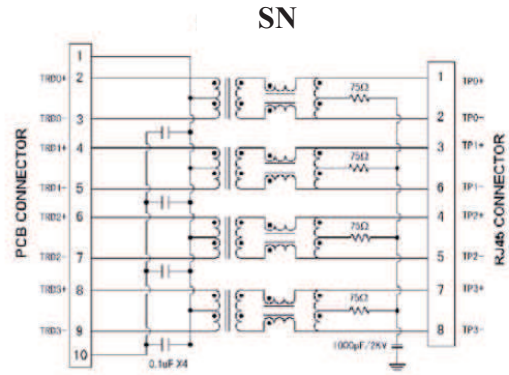
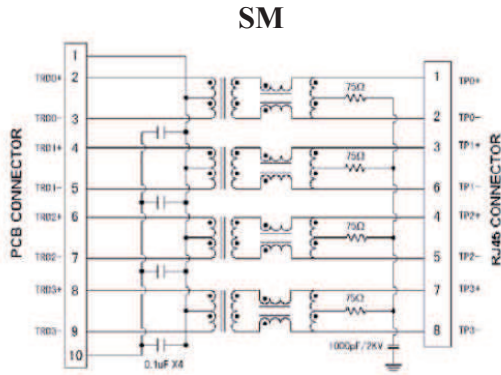
ARJU31B

RoHS  
Compliant

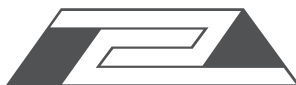


18.85 x 30.52 x 27.40 mm

## SCHEMATICS



ABRACON IS  
ISO 9001:2008  
CERTIFIED



**ABRACON**  
CORPORATION

Visit [www.abracon.com](http://www.abracon.com) for Terms & Conditions of Sale  
30332 Esperanza, Rancho Santa Margarita, California 92688  
tel 949-546-8000 | fax 949-546-8001 | [www.abracon.com](http://www.abracon.com)

Revised: 08.30.11

# RJ45 Jack with 10/100/1000 Base-TX Magnetic/Dual USB Combo

ARJU31B

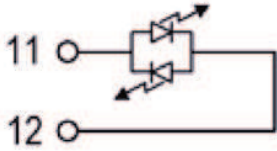
RoHS  
Compliant



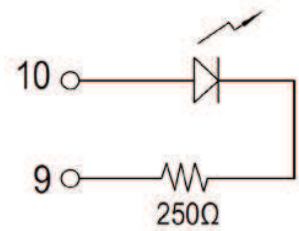
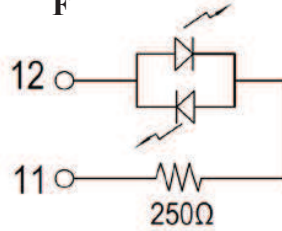
18.85 x 30.52 x 27.40 mm

## LED POLARITY

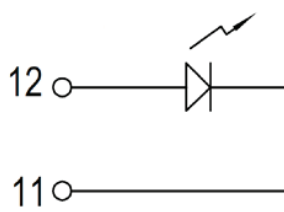
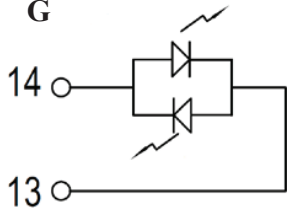
E



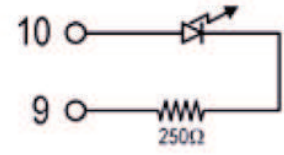
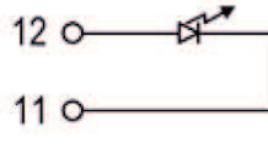
F



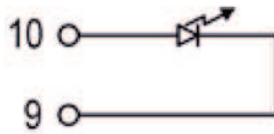
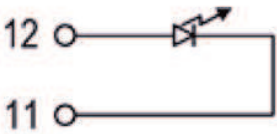
G



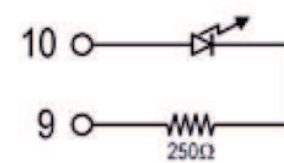
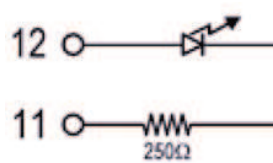
H



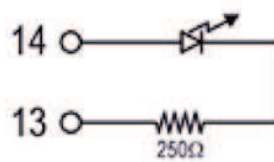
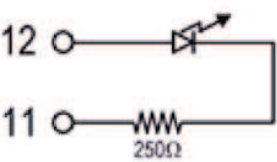
I



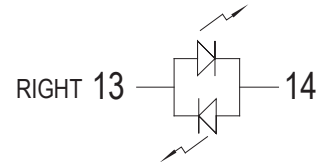
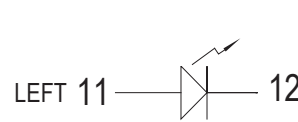
J



K



L





# RJ45 Jack with 10/100/1000 Base-TX Magnetic/Dual USB Combo

ARJU31B

RoHS  
Compliant

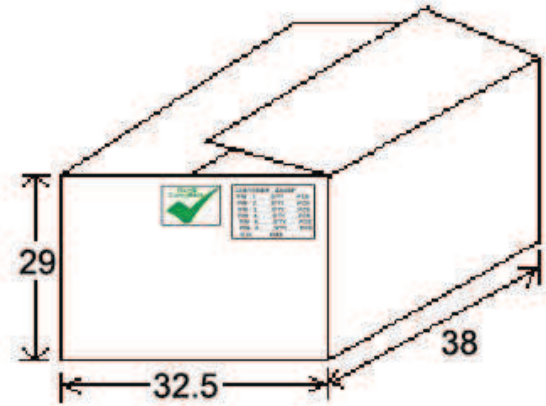
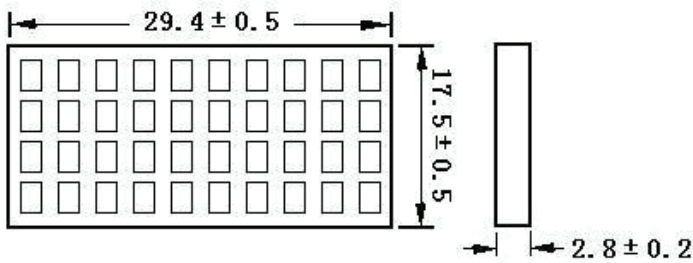


18.85 x 30.52 x 27.40 mm

PACKING: 40pcs/tray

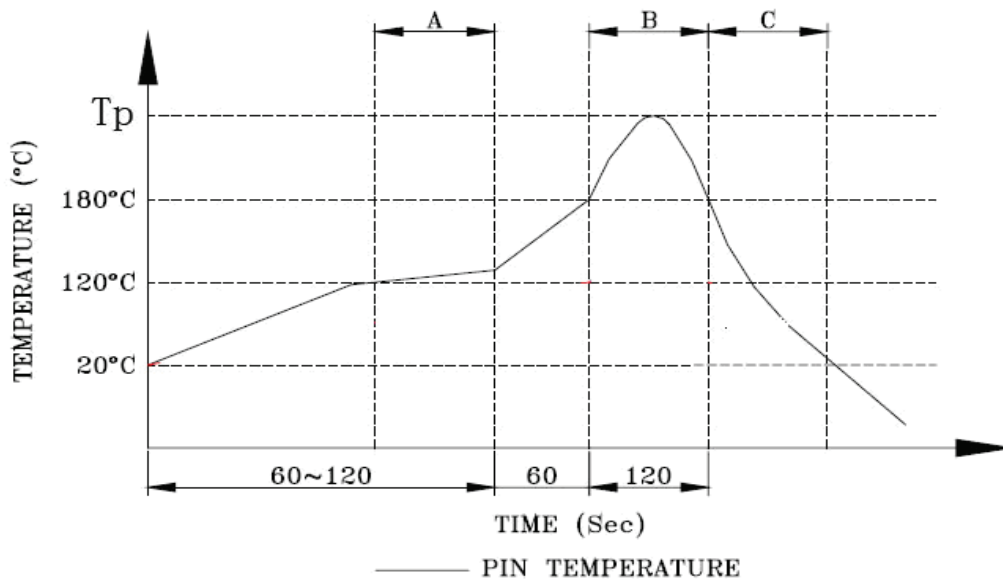
Packaging material: PET

Outer carton unit 640 pcs/ 16 Trays/box



Dimensions: cm

## REFLOW PROFILE:



A. Preheating B. Soldering C. Gradual Cooling

Peak temperature( $T_p$ ) :  $250 \pm 10^\circ\text{C}$

Peak temperature( $T_p$ ) time : 5sec max

**ATTENTION:** Abracon Corporation's products are COTS – Commercial-Off-The-Shelf products; suitable for Commercial, Industrial and, where designated, Automotive Applications. Abracon's products are not specifically designed for Military, Aviation, Aerospace, Life-dependant Medical applications or any application requiring high reliability where component failure could result in loss of life and/or property. For applications requiring high reliability and/or presenting an extreme operating environment, written consent and authorization from Abracon Corporation is required. Please contact Abracon Corporation for more information.

ABRACON IS  
ISO 9001:2008  
CERTIFIED



**ABRACON**  
CORPORATION

Visit [www.abracon.com](http://www.abracon.com) for Terms & Conditions of Sale  
30332 Esperanza, Rancho Santa Margarita, California 92688  
tel 949-546-8000 | fax 949-546-8001 | [www.abracon.com](http://www.abracon.com)

Revised: 08.30.11