



Chipsmall Limited consists of a professional team with an average of over 10 year of expertise in the distribution of electronic components. Based in Hongkong, we have already established firm and mutual-benefit business relationships with customers from,Europe,America and south Asia,supplying obsolete and hard-to-find components to meet their specific needs.

With the principle of “Quality Parts,Customers Priority,Honest Operation,and Considerate Service”,our business mainly focus on the distribution of electronic components. Line cards we deal with include Microchip,ALPS,ROHM,Xilinx,Pulse,ON,Everlight and Freescale. Main products comprise IC,Modules,Potentiometer,IC Socket,Relay,Connector.Our parts cover such applications as commercial,industrial, and automotives areas.

We are looking forward to setting up business relationship with you and hope to provide you with the best service and solution. Let us make a better world for our industry!



## Contact us

Tel: +86-755-8981 8866 Fax: +86-755-8427 6832

Email & Skype: info@chipsmall.com Web: www.chipsmall.com

Address: A1208, Overseas Decoration Building, #122 Zhenhua RD., Futian, Shenzhen, China



# ARK-1503

## Intel® Atom™ D525 Slim and Panel Mountable Fanless Box PC



### Features

- Intel Atom D525 Dual Core 1.8 GHz
- Supports integrated LVDS interface, with LVDS/2 x USB/Rx/Tx signal
- Supports 2 x Intel GbE and 4 USB 2.0 ports
- Supports 1 x RS-232, 1 x RS-232/422/485 with Auto-flow control
- Built-in 1 x Mini PCIe expansion slot for communication module, like WLAN
- Supports external CF socket, 2.5" SATA HDD Bay
- DC 12V power input
- Lockable DC jack design
- IP40 sealed design
- Supports SUSIAccess and Embedded Software APIs



SUSIAccess

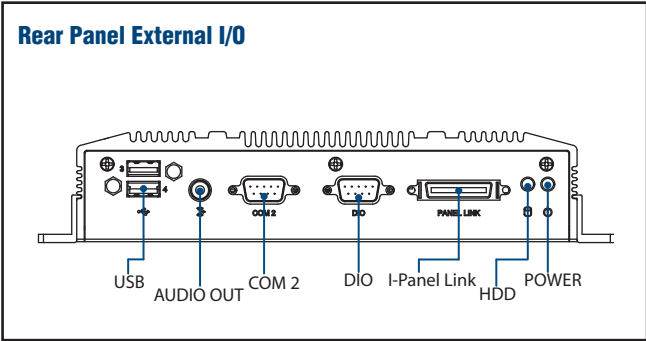
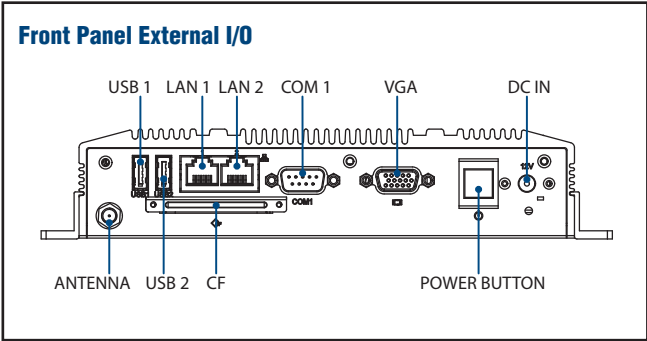
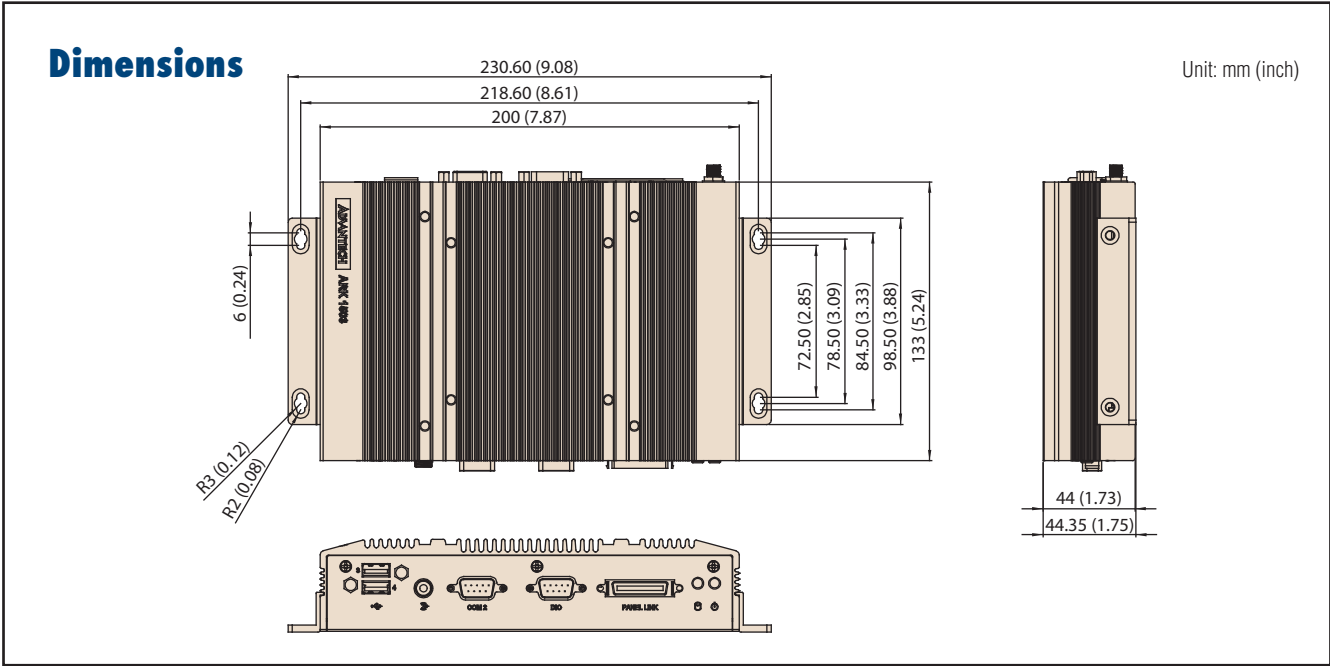


CE FCC



### Specifications

		ARK-1503F-D6A1E
Processor System	CPU	Intel Atom D525
	Frequency	1.8 GHz (Dual Core)
	L2 Cache	1MB
	System Chipset	Intel ICH8-M
	BIOS	AMI 16 Mbit Flash BIOS
Memory	Technology	Single channel DDR3 1066/1333 MHz
	Max. Capacity	4 GB
	Socket	1 x 204-pin SO-DIMM
Graphics	Chipset	Intel Gen 3.5 DX9, MPEG2 Decode in HW
	VRAM	Optimized Shared Memory Architecture up to 224 MB system memory
	Interface	VGA: Supports up to 2048 x 1536 @ 60 Hz LVDS: Single channel 24-bit LVDS up to WXGA 1366 x 768 (Integrated in I-Panel Link)
	Dual Display	VGA + LVDS
Ethernet	LAN1	10/100/1000 Mbps Intel 82567V GbE, support Wake On LAN
	LAN2	10/100/1000 Mbps Intel 82583V GbE, support Wake On LAN
Audio	Interfaces	Realtek ALC892, Line-out
IO Interface	Serial Ports	1 x RS-232 1 x RS-232/422/485 (Jumper selection, suggest go for T-P/N or CTOS due to complicated access), support Auto-flow control
	USB Interface	4 x USB ports, USB 2.0 Compliant
	Digital I/O	8-bit programmable DIO
	Watchdog timer	255-level timer interval, setup by software
	Integrated LVDS Interface	DB36 with LVDS, 2 x USB, Rx/Tx and backlight control
Storage	HDD	Supports one SATA 2.5" HDD Bay (support 9.5 mm height only)
	SSD	Supports one external CompactFlash socket for type I/II CompactFlash disk
Expansion	PCIe	1 x PCIe with full-size mini card interface, w/o USB signal
Software Support	Microsoft Windows	Windows 7, XP Professional, XP Embedded
Power Requirement	Power Type	AT/ATX
	Power Input Voltage	12 V <sub>oc</sub>
	Minimum Power Input	DC 12V @ 3A (without supplying power to panel)
	Power Adapter (Optional)	AC-to-DC, 60W DC12V/5A
Power Consumption	Typical	11.88 W (w/o supplying power to panel)
	Max.	16.44 W (w/o supplying power to panel)
Mechanical	Construction	Aluminum housing
	Mounting	Desk/wall-mounting
	Dimensions (W x H x D)	230.6 x 44.4 x 133.0 mm (9.08" x 1.75" x 5.24")
	Weight	1.9 kg (4.18 lbs)
Environment	Operating Temperature	With extended temperature peripherals: -20 ~ 60° C, w/extend temperature HDD: 0-45° C
	Storage Temperature	- 40 ~ 85° C ( -40 ~ 185° F)
	Relative Humidity	95% @ 40° C (non-condensing)
	Vibration Loading During Operation	With Compact Flash/2.5" SATA SSD only: 5 Grms, IEC 60068-2-64, random, 5 ~ 500 Hz, 1 Oct./min, 1 hr/axis
	Shock During Operation	With Compact Flash/2.5" SATA SSD only: 50 G, IEC 60068-2-27, half sine, 11 ms duration
	EMC	CE/FCC Class A, BSMI, CCC, KCC
	Safety Certifications	UL, CCC, BSMI, KCC



## Ordering Information

Part Number	Intel CPU	RAM	VGA	LVDS	Audio	GbE	2.5" HDD bay	CF	USB 2.0	RS-232	RS-232/422/485	8-bit GPIO	PCIe	Operating Temp.
ARK-1503F-D6A1E	Atom D525 1.8GHz	Up to 4GB	1	1	Line out	2	1	1	4	1	1	1	1	-20 ~ 60° C

Note: Memory, storage and operating system bundled by request.

## Packing List

Part Number	Description
-	1 x ARK-1503 Unit
-	1 x Driver/Utility CD/Manual
-	1 x Power bracket
1700001967	1 x Flat cable for RS-485/422 mode of COM2

## Embedded OS

Part Number	Description
2070010408	Image XPE WES2009 ARK-1503 V4.0 ENG
2070010409	Image XPE WES2009 ARK-1503 V4.0 24MUI

## Optional Items

Part Number	Description
1757003934	AC-to-DC Adapter, DC 12V/5A 60W, with DC Jack Plug, 0 ~ 40° C for Home and Office Use
1757004522-01	AC-to-DC Wide Temperature Adapter, DC 12V/3.33A 40W, -20° C ~ 70° C
1702002600-01	Power cable 3-pin 183 cm, USA type (For power adapter 1757004522-01 & 1757003934)
1700018705	Power cable 3-pin 183 cm, Europe type (For power adapter 1757004522-01 & 1757003934)
1700018704	Power cable 3-pin 183 cm, UK type (For power adapter 1757004522-01 & 1757003934)
1700000237-01	Power cable 3-pin 183 cm, PSE type (For power adapter 1757004522-01 & 1757003934)
AMK-V004E	VESA mounting kit
AMK-R002E	DIN-rail mounting kit