



Chipsmall Limited consists of a professional team with an average of over 10 year of expertise in the distribution of electronic components. Based in Hongkong, we have already established firm and mutual-benefit business relationships with customers from,Europe,America and south Asia,supplying obsolete and hard-to-find components to meet their specific needs.

With the principle of "Quality Parts,Customers Priority,Honest Operation,and Considerate Service",our business mainly focus on the distribution of electronic components. Line cards we deal with include Microchip,ALPS,ROHM,Xilinx,Pulse,ON,Everlight and Freescale. Main products comprise IC,Modules,Potentiometer,IC Socket,Relay,Connector.Our parts cover such applications as commercial,industrial, and automotives areas.

We are looking forward to setting up business relationship with you and hope to provide you with the best service and solution. Let us make a better world for our industry!



Contact us

Tel: +86-755-8981 8866 Fax: +86-755-8427 6832

Email & Skype: info@chipsmall.com Web: www.chipsmall.com

Address: A1208, Overseas Decoration Building, #122 Zhenhua RD., Futian, Shenzhen, China



ARK-6610/6620

Compact Chassis for Mini-ITX Motherboard



ARK-6610

ARK-6620

CE FCC

Features

- ARK-6610 with one front I/O expansion slot
- Various cut-outs for COM/DVI/LVDS,USB,S/C-video
- Shockproof drive bay for slim ODD and 3.5" HDD
- Bottom door to access CF card or Mini-PCle card
- Supports 180W Flex ATX power supply

Specifications

		ARK-6610	ARK-6620
Disk Drive Bay	Slim Optical Drive	1	-
	3.5" (internal)	1	1
I/O Interface	COM	5	2
	USB	2	-
	DVI/LVDS	2	1
	S/C-Video	1	1
	WLAN Antenna	1	1
Cooling	Fan	1 (9 cm / 52.5 CFM)	2 (6 cm / 27.7 CFM, each)
	Air Filter	Yes	Yes
Miscellaneous	LED Indicators	Power, HDD, temperature	Power, HDD, temperature
	Control	Power switch	Power switch
Environment	Operating	Non-operating	Non-operating
	Temperature	0 ~ 40 °C (32 ~ 104 °F)	-20 ~ 60 °C (-4 ~ 140 °F)
	Humidity	10 ~ 85%, 40 °C, non-condensing	10 ~ 95%, @ 40 °C, non-condensing
	Vibration (5 ~ 500 Hz)	1 Grms	2 G
	Shock	10 G (with 11ms duration, half sine wave)	
Physical Characteristics	Dimensions (W x H x D)	250 x 156 x 253 mm (9.8" x 6.1" x 10")	272 x 88 x 232 mm (10.7" x 3.5" x 9.1")
	Weight	4.76 kg (10.47 lb)	3.49 kg (7.68 lb)

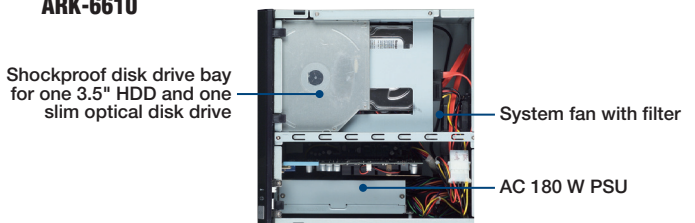
Front View

ARK-6610



Inside View

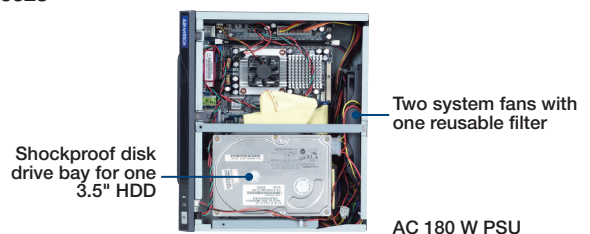
ARK-6610



ARK-6620



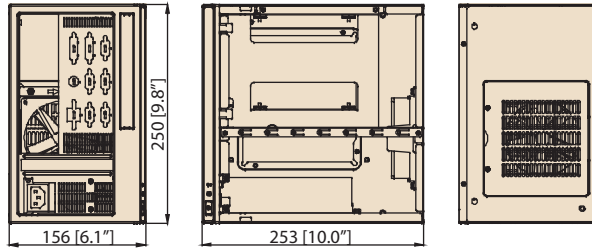
ARK-6620



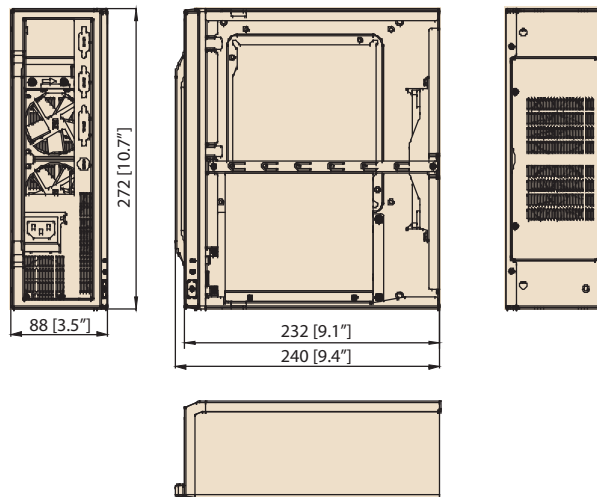
Dimensions

Unit: mm [inch]

ARK-6610

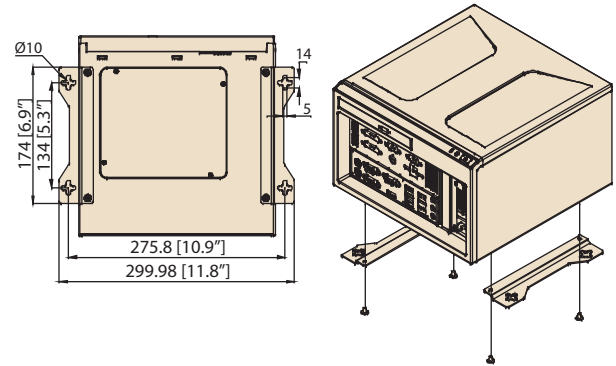


ARK-6620

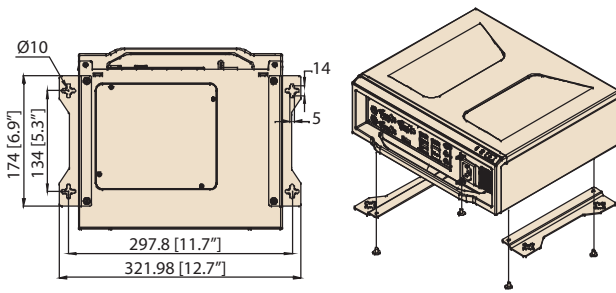


Installation

ARK-6610



ARK-6620



Chassis Ordering Information

Part Number	Power Supply	Power supply Wattage	Support Mini ITX MB type
AC power Mini ITX motherboard			
ARK-6610-18ZBE	96PS-A180WFX	180W	AC power Mini ITX MB
ARK-6620-18ZBE	96PS-A180WFX	180W	AC power Mini ITX MB
DC Power Mini ITX motherboard (AIMB-201DS / 212 / 213 / 214 / 215 / 223 / 224 / 225 / 230)			
ARK-6610-00XBE	-	-	DC power Mini ITX MB

* For ARK-6620 chassis, the only optional cooler for Intel Corei CPU is 1960053065N001, 1U blower. and TDP Max.84W.

Optional Accessories

Part Number	Description
1960053065N001	1U blower for LGA1155/1150/1151
1750002561	52.5 CFM, 92 x 92 x 25.4 mm system cooling fan (For ARK-6610)
1750006419	27.7 CFM, system cooling fan 60 x 60 x 13 mm (For ARK-6620)
1960014495N001	PSU cover for DC Motherboard configuration