



Chipsmall Limited consists of a professional team with an average of over 10 year of expertise in the distribution of electronic components. Based in Hongkong, we have already established firm and mutual-benefit business relationships with customers from,Europe,America and south Asia,supplying obsolete and hard-to-find components to meet their specific needs.

With the principle of “Quality Parts,Customers Priority,Honest Operation,and Considerate Service”,our business mainly focus on the distribution of electronic components. Line cards we deal with include Microchip,ALPS,ROHM,Xilinx,Pulse,ON,Everlight and Freescale. Main products comprise IC,Modules,Potentiometer,IC Socket,Relay,Connector.Our parts cover such applications as commercial,industrial, and automotives areas.

We are looking forward to setting up business relationship with you and hope to provide you with the best service and solution. Let us make a better world for our industry!



Contact us

Tel: +86-755-8981 8866 Fax: +86-755-8427 6832

Email & Skype: info@chipsmall.com Web: www.chipsmall.com

Address: A1208, Overseas Decoration Building, #122 Zhenhua RD., Futian, Shenzhen, China



ARK-6622

Compact Chassis with one front slot for Mini-ITX Motherboard



Features

- With front I/O interfaces and one expansion slot
- Shockproof drive bay for two 2.5" HDDs
- Bottom door to access CF card or Mini-PCle card
- LED indicators for system fault detection
- Equipped 180W FLEX power supply



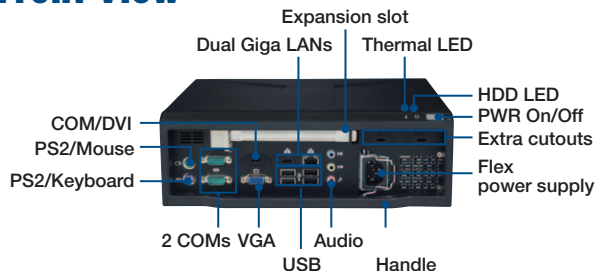
Specifications

| | | | |
|--------------------------|------------------------|---|--|
| Disk Drive Bay | 2.5" (internal) | 2 | |
| Front I/O Openings | USB | 4 | |
| | PS/2 | 2 | |
| | COM | 2 | |
| | DVI/COM | 1 | |
| | RJ-45 | 2 | |
| | Audio | 3 (Mic-in, Line-out, Line-in) | |
| | VGA | 1 | |
| | Expansion slot | 1* | |
| Cooling | Reserved cutouts | 2 x DB-9 and 2 x Wireless Antenna Opening | |
| | System Fan | ARK-6622H 2 (6 cm/27.7CFM) | ARK-6622L 1 (6 cm/15.4CFM) |
| Miscellaneous | Air Filter | Yes | Yes |
| | LED Indicators | Power, HDD, Temperature | |
| Environment | Control | Power switch | |
| | Temperature | Operating 0 ~ 40° C (32 ~ 104° F) | Non-operating -20 ~ 60° C (-4 ~ 140° F) |
| | Humidity | 10 ~ 85%, @ 40° C, non-condensing | 10 ~ 95%, @ 40° C, non-condensing |
| | Vibration (5 ~ 500 Hz) | 1 Grms | 2 G |
| | Shock | 10 G (with 11ms duration, half sine wave) | 30 G |
| Physical Characteristics | Dimensions (W x H x D) | 272 x 88 x 232 mm (10.7" x 3.5" x 9.1") | |
| | Weight | 3.49 kg (7.68 lb) | |

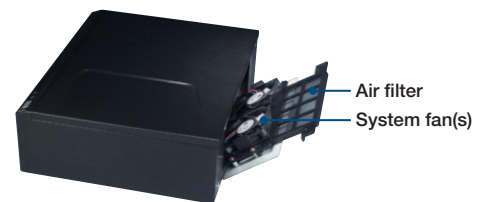
* The expansion slot is supported by dedicated riser cards, so an optional riser card is required for the add-on card.

* 176 mm (W) x 22 mm (H) space is available for add-on cards to assemble in slot.

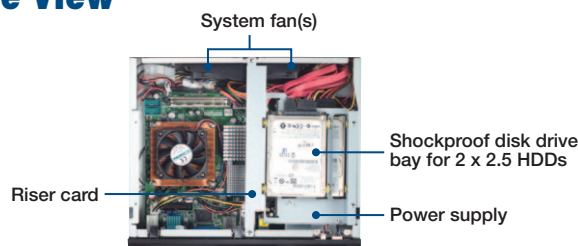
Front View



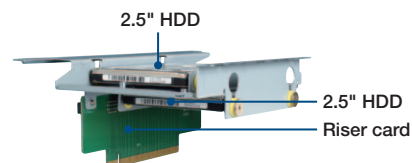
Rear Cover for Replacing Fans

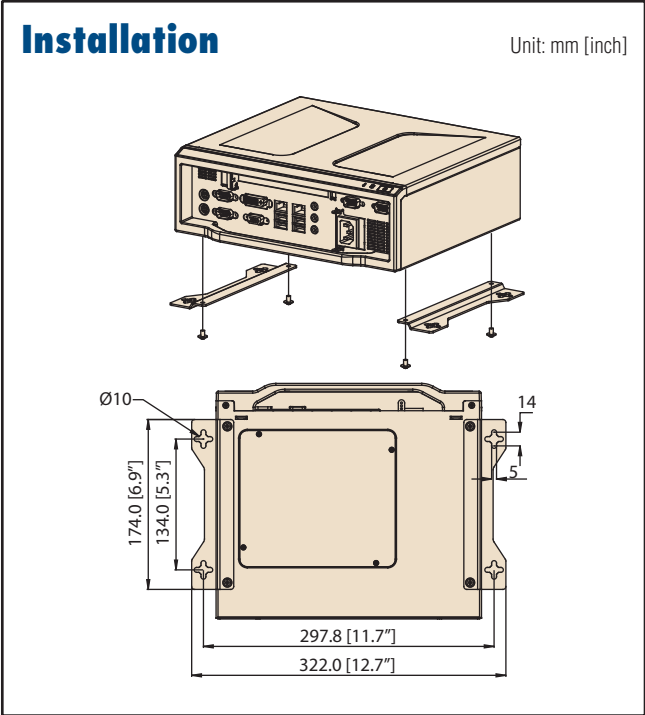
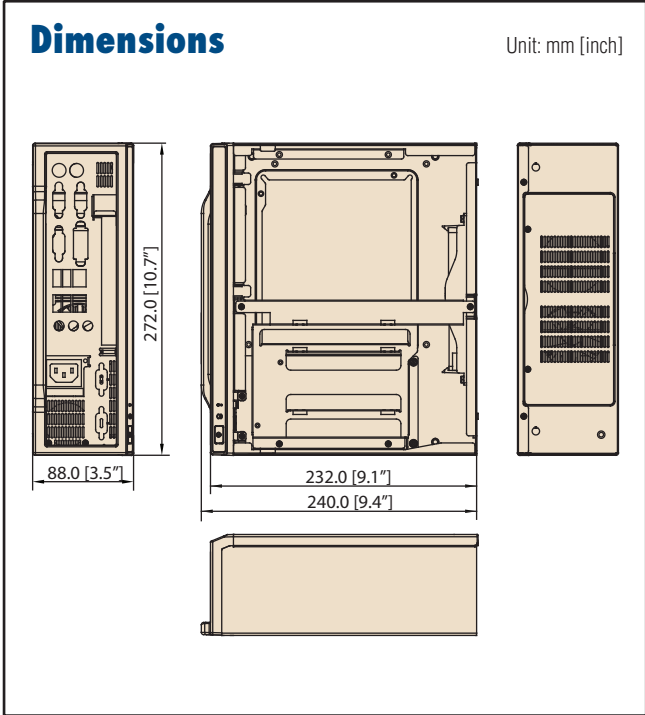


Inside View



2.5" HDDs and Riser Card Bracket





Ordering Information

| Part Number | Power Supply | Recommended Motherboard | Recommended Riser Card |
|----------------|--------------|-------------------------|----------------------------|
| ARK-6622H-18ZE | 96PS-A180WFX | AIMB-270/262 | 9892662210E |
| ARK-6622L-18ZE | 96PS-A180WFX | AIMB-258 AIMB-210 | 9892662210E 9892662200E |

Optional Accessories

| Part Number | Description |
|-------------|--|
| 9892662200E | PCI Interface Riser Card (for AIMB-210) |
| 9892662210E | PCIe x16 Interface Riser Card (AIMB-258/262/270) |
| 98R2662001E | VESA mounting kit |
| 1750006419 | 27.7 CFM system cooling fan (For ARK-6622H) |
| 1750005863 | 15.4 CFM system cooling fan (For ARK-6622L) |