



Chipsmall Limited consists of a professional team with an average of over 10 year of expertise in the distribution of electronic components. Based in Hongkong, we have already established firm and mutual-benefit business relationships with customers from,Europe,America and south Asia,supplying obsolete and hard-to-find components to meet their specific needs.

With the principle of “Quality Parts,Customers Priority,Honest Operation,and Considerate Service”,our business mainly focus on the distribution of electronic components. Line cards we deal with include Microchip,ALPS,ROHM,Xilinx,Pulse,ON,Everlight and Freescale. Main products comprise IC,Modules,Potentiometer,IC Socket,Relay,Connector.Our parts cover such applications as commercial,industrial, and automotives areas.

We are looking forward to setting up business relationship with you and hope to provide you with the best service and solution. Let us make a better world for our industry!



Contact us

Tel: +86-755-8981 8866 Fax: +86-755-8427 6832

Email & Skype: info@chipsmall.com Web: www.chipsmall.com

Address: A1208, Overseas Decoration Building, #122 Zhenhua RD., Futian, Shenzhen, China



PART NAME ALUMINUM RELAY RACK

PART No. ARR-1276-NF & ARR-1276-BT
ARR-1296 NF & ARR-1296-BT

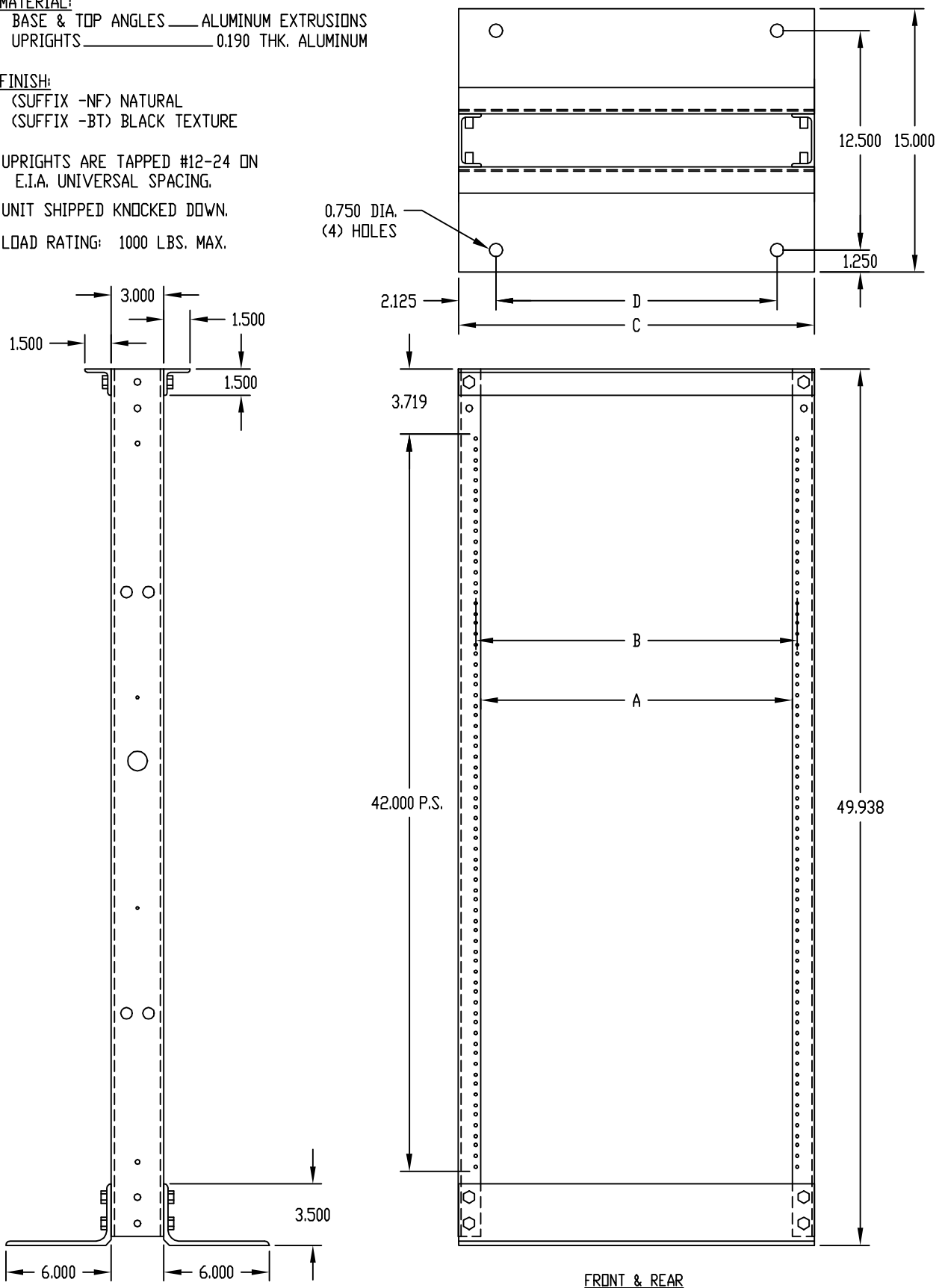
MATERIAL:
 BASE & TOP ANGLES — ALUMINUM EXTRUSIONS
 UPRIGHTS — 0.190 THK. ALUMINUM

FINISH:
 (SUFFIX -NF) NATURAL
 (SUFFIX -BT) BLACK TEXTURE

UPRIGHTS ARE TAPPED #12-24 DN
 E.I.A. UNIVERSAL SPACING.

UNIT SHIPPED KNOCKED DOWN.

LOAD RATING: 1000 LBS. MAX.



FRONT & REAR

PART NO.	PANEL SPACE	OVERALL HEIGHT	A	B	C	D
ARR-1276-NF	42.000	49.938	17.752	18.312	20.250	16.000
ARR-1276-BT	42.000	49.938	17.752	18.312	20.250	16.000
ARR-1296-NF	42.000	49.938	21.752	22.312	24.250	20.000
ARR-1296-BT	42.000	49.938	21.752	22.312	24.250	20.000