



Chipsmall Limited consists of a professional team with an average of over 10 year of expertise in the distribution of electronic components. Based in Hongkong, we have already established firm and mutual-benefit business relationships with customers from,Europe,America and south Asia,supplying obsolete and hard-to-find components to meet their specific needs.

With the principle of “Quality Parts,Customers Priority,Honest Operation,and Considerate Service”,our business mainly focus on the distribution of electronic components. Line cards we deal with include Microchip,ALPS,ROHM,Xilinx,Pulse,ON,Everlight and Freescale. Main products comprise IC,Modules,Potentiometer,IC Socket,Relay,Connector.Our parts cover such applications as commercial,industrial, and automotives areas.

We are looking forward to setting up business relationship with you and hope to provide you with the best service and solution. Let us make a better world for our industry!



Contact us

Tel: +86-755-8981 8866 Fax: +86-755-8427 6832

Email & Skype: info@chipsmall.com Web: www.chipsmall.com

Address: A1208, Overseas Decoration Building, #122 Zhenhua RD., Futian, Shenzhen, China



2M RANGE UHF RFID ON METAL

ART915X050503OP-IC



5.0 x 5.0 x 3.0 mm



RoHS/RoHS II Compliant

MSL = 2

FEATURES

- Long 2.0m read range
- Compatible with any material, including metal
- Passive tag requires no battery or power supply
- Suitable for applications in harsh conditions
- Wide operating temperature -40~+85
- Compliant with ISO 18000-6C/EPC Class1 Gen6
- 902 ~ 928MHz operation
- Utilizing Alien H3 RFID chipset
- Compact 5.0 x 5.0 mm footprint
- 3.0 mm height ideal for low profile requirements

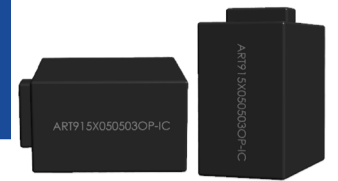
APPLICATIONS

- Local asset tracking for industrial, heavy equipment, and data center applications
- Medical equipment
- Aviation equipment and tools
- Military devices and vehicles
- Oil and gas industry
- Trains and other transportation assets

STANDARD SPECIFICATIONS

Parameters	Minimum	Typical	Maximum	Units	Notes
Range of Receiving Frequency	902-928			MHz	
Frequency of Lowest Return Loss	915±5			MHz	(Based on 150 x 150mm GND Plane)
Polarization	Linear			°C	
IC Protocol	ISO 18000-6C/EPC Class1 Gen2			°C	
Memory	96 EPC			Bits	
	512 User			Bits	
	64 TID				
IC Type	Alien H3			Ω	
Reading Range	2.0			m	On metal, 4W EIRP
	1.0			m	In metal, 4W EIRP
Operating Temperature	-40		+85	°C	
Application Temperature	-40		+150	°C	
IP rate	IP68				

2M RANGE UHF RFID ON METAL



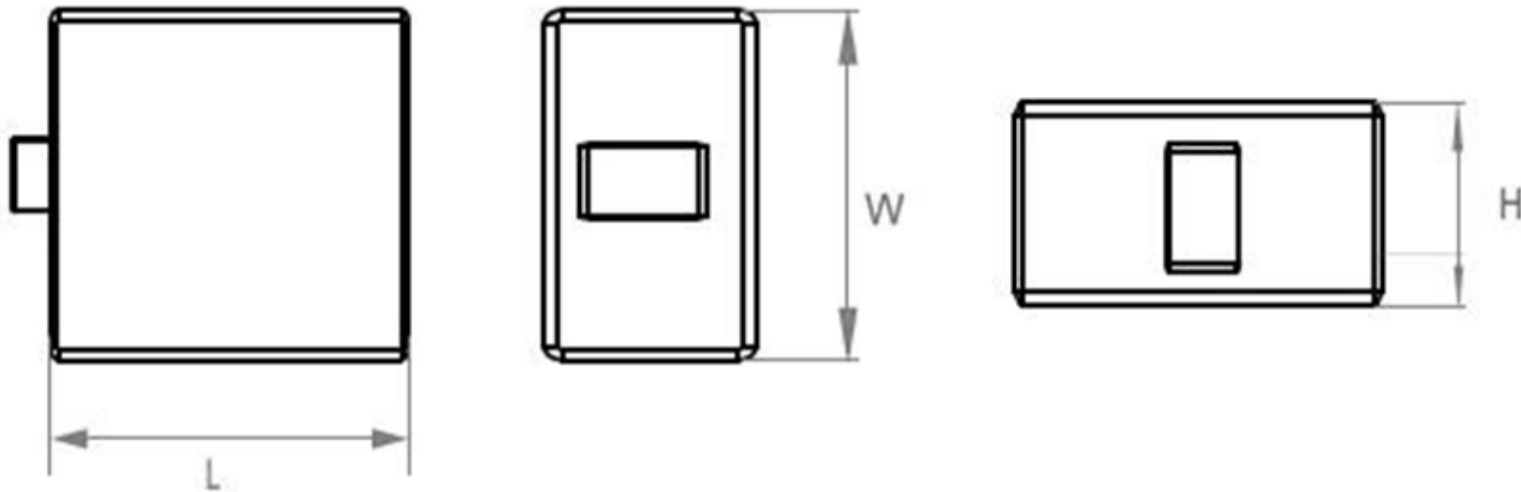
5.0 x 5.0 x 3.0 mm

RoHS/RoHS II Compliant
MSL = 2

ART915X050503OP-IC

OUTLINE DRAWING | UNIT: mm

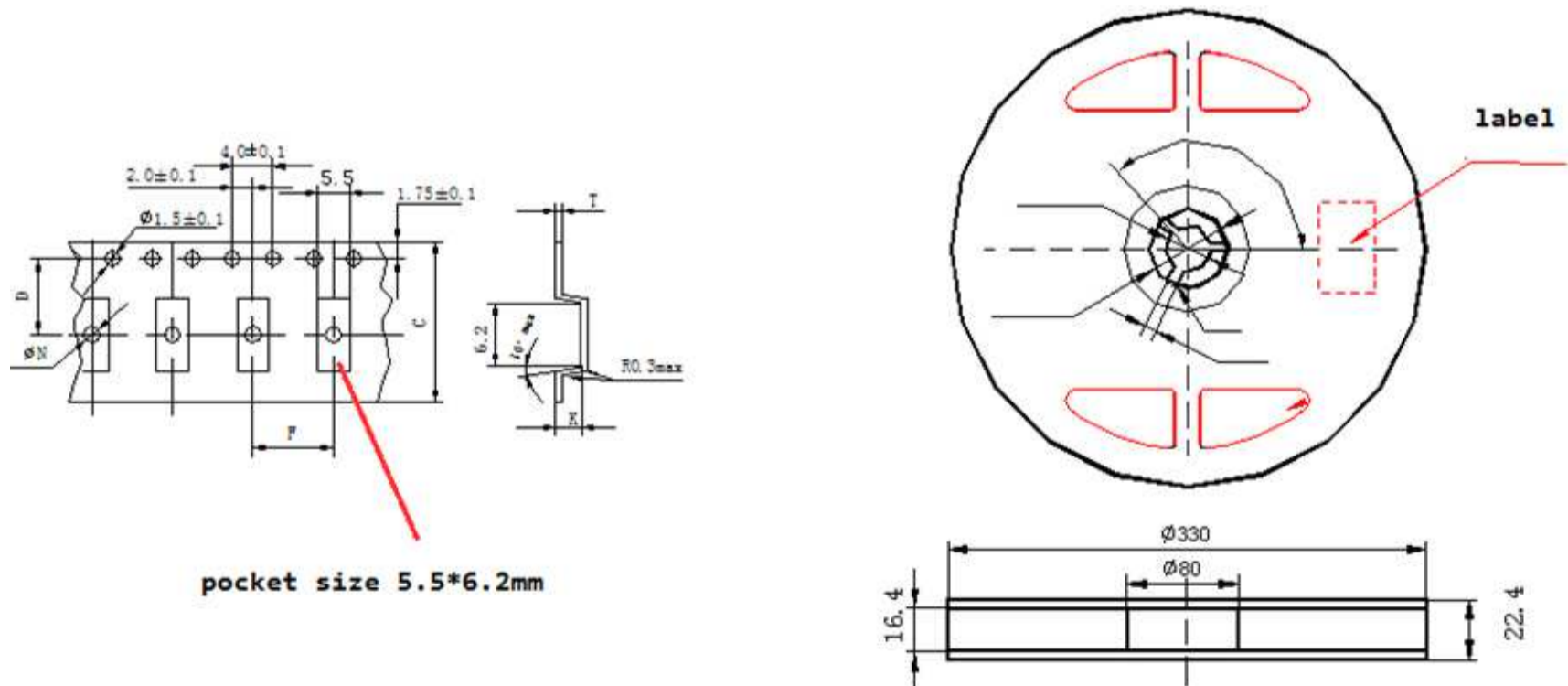
TOLERANCES ARE ± 0.2 MM, UNLESS OTHERWISE SPECIFIED



L	W	H
5 TYP	5 TYP	3 TYP

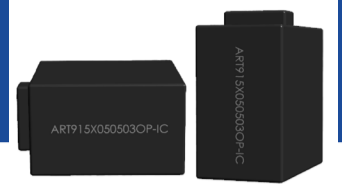
PACKAGING

1000 PCS/REEL, 10 REELS/CARTON



2M RANGE UHF RFID ON METAL

ART915X050503OP-IC



5.0 x 5.0 x 3.0 mm



RoHS/RoHS II Compliant

MSL = 2

NOTE

1. The parts are manufactured in accordance with this specification. If other conditions and specifications which are required for this specification, please contact ABRACON for more information.
2. ABRACON will supply the parts in accordance with this specification unless we receive a written request to modify prior to an order placement.
3. In no case shall ABRACON be liable for any product failure from in appropriate handling or operation of the item beyond the scope of this specification.
4. When changing your production process, please notify ABRACON immediately.
5. ABRACON's products are COTS – Commercial-Off-The-Shelf products; suitable for Commercial, Industrial and, where designated, Automotive Applications. ABRACON's products are not specifically designed for Military, Aviation, Aerospace, Life-dependant Medical applications or any application requiring high reliability where component failure could result in loss of life and/or property. For applications requiring high reliability and/or presenting an extreme operating environment, written consent and authorization from ABRACON LLC is required. Please contact ABRACON LLC for more information.
6. All specifications and marking will be subject to change without notice.