



Chipsmall Limited consists of a professional team with an average of over 10 year of expertise in the distribution of electronic components. Based in Hongkong, we have already established firm and mutual-benefit business relationships with customers from,Europe,America and south Asia,supplying obsolete and hard-to-find components to meet their specific needs.

With the principle of “Quality Parts,Customers Priority,Honest Operation,and Considerate Service”,our business mainly focus on the distribution of electronic components. Line cards we deal with include Microchip,ALPS,ROHM,Xilinx,Pulse,ON,Everlight and Freescale. Main products comprise IC,Modules,Potentiometer,IC Socket,Relay,Connector.Our parts cover such applications as commercial,industrial, and automotives areas.

We are looking forward to setting up business relationship with you and hope to provide you with the best service and solution. Let us make a better world for our industry!



## Contact us

Tel: +86-755-8981 8866 Fax: +86-755-8427 6832

Email & Skype: info@chipsmall.com Web: www.chipsmall.com

Address: A1208, Overseas Decoration Building, #122 Zhenhua RD., Futian, Shenzhen, China



# LONG RANGE RFID TAG IDEAL FOR METAL SURFACES



Ø16.0 x 2.7 mm

 RoHS/RoHS II Compliant

 ESD Sensitive

MSL= 1

## ART915X1620TX16-IC

### FEATURES

- 1.2 meters read range on metal surfaces
- Wide -30°C to 85°C operating temperature range
- UHF band operation 902 to 928MHz
- Matched for lowest return loss at 915MHz
- Tag incorporates matched Alien H3 RFIC
- Ø16.0mm, 2.7mm height ceramic tag
- ISO 18000-6C/EPC Class1 Gen2 compliant
- Peel & Stick easy installation
- Suitable for non-metal surfaces
- Robust, long life over wide temperature range

### APPLICATIONS

- Asset tracking: vehicles, machinery, tools, steel containers, servers, etc.
- Product inventory management: metallic assemblies, chassis, doors, equipment, etc.
- Industrial Internet of Things (IIoT)
- Automatic Vehicle Identification (AVI)
- Wildlife Identification and Waste Management
- Long distance RFID /Non-Stop Access Control

### STANDARD SPECIFICATIONS

| PARAMETERS                        | MINIMUM | TYPICAL                      | MAXIMUM | UNITS  | NOTE                              |
|-----------------------------------|---------|------------------------------|---------|--------|-----------------------------------|
| Range of Receiving Frequency      |         | 902-928                      |         | MHz    |                                   |
| Frequency of Lowest Return Loss   |         | 915±5                        |         | MHz    | (Based on 200 x 200 mm GND Plane) |
| Polarization                      |         | Linear                       |         |        |                                   |
| IC Protocol                       |         | ISO 18000-6C/EPC Class1 Gen2 |         |        |                                   |
| Memory                            |         | 96 EPC                       |         | Bits   |                                   |
|                                   |         | 512 User                     |         | Bits   |                                   |
| IC Type                           |         | Alien H3                     |         |        |                                   |
| Reading Range                     |         | 1.2                          |         | m      |                                   |
| Working Temperature               | -30     |                              | +85     | °C     |                                   |
| Storage Temperature               | -40     |                              | +110    | °C     |                                   |
| Frequency Temperature Coefficient |         | 0±10                         |         | ppm/°C |                                   |
| ESD (HBM)                         |         |                              | 2       | KV     | 2KV Class 2 HBM                   |

REVISED: 07/19/2018



5101 Hidden Creek Lane Spicewood TX 78669  
 Phone: 512-371-6159 | Fax: 512-351-8858  
 For terms and conditions of sale please visit:  
[www.abracon.com](http://www.abracon.com)

ABRACON IS  
 ISO9001-2015  
 CERTIFIED

# LONG RANGE RFID TAG IDEAL FOR METAL SURFACES



Ø16.0 x 2.7 mm

RoHS/RoHS II Compliant

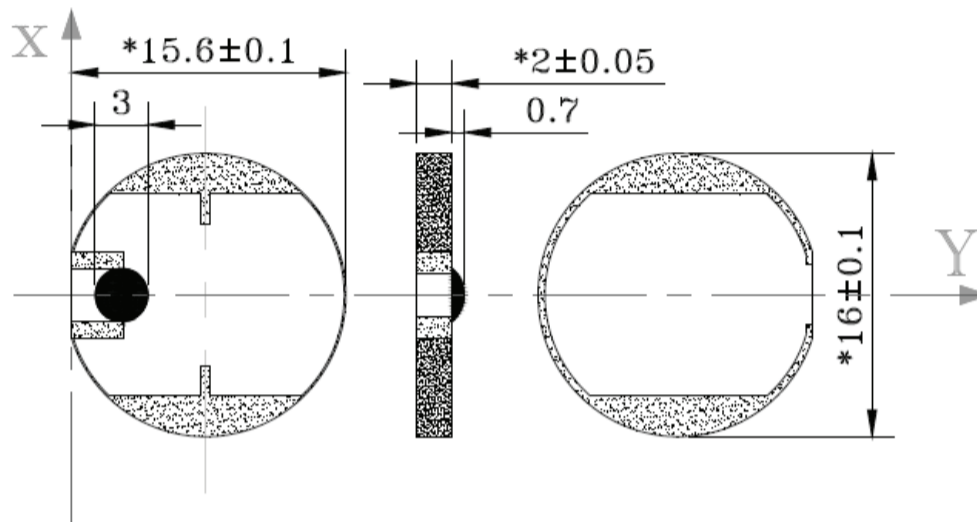
ESD Sensitive

MSL= 1

## ART915X1620TX16-IC

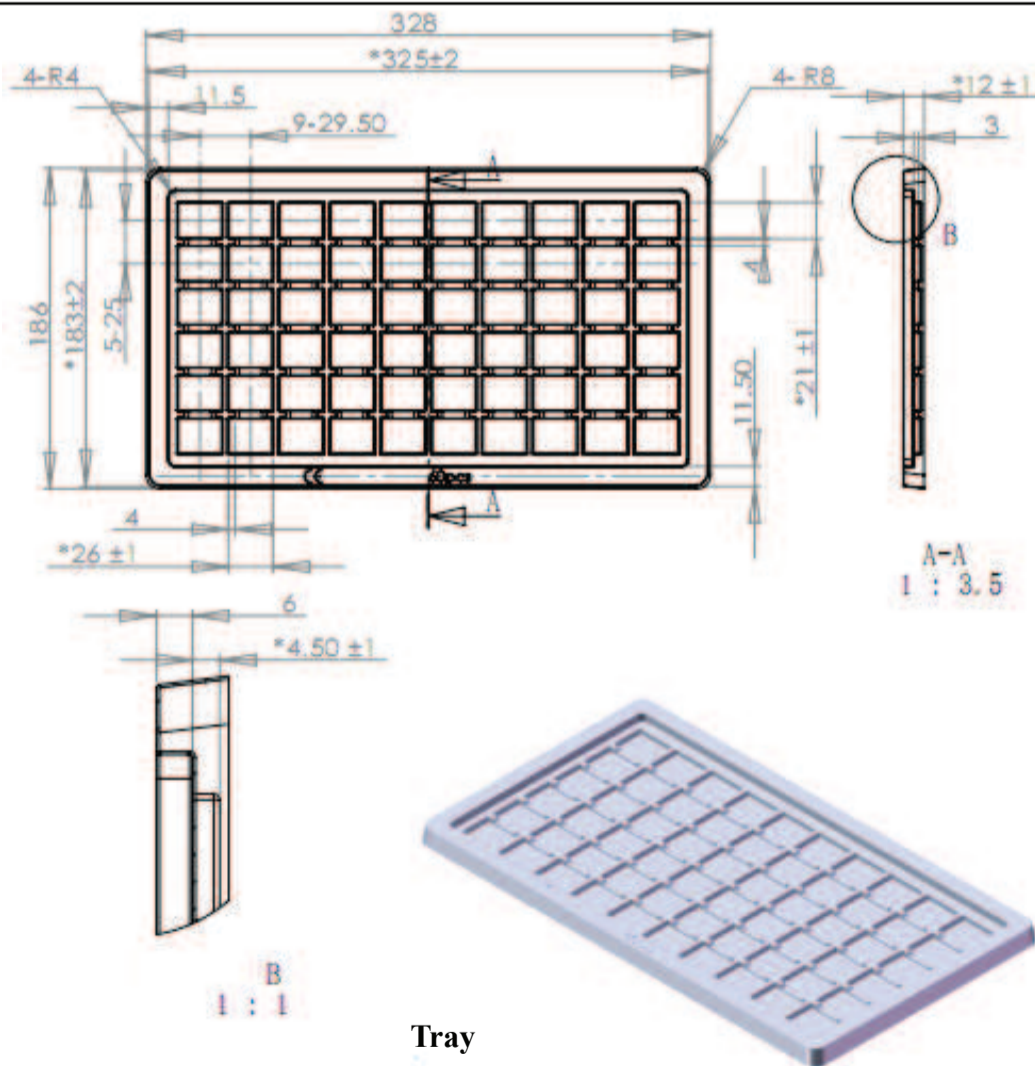
### MECHANICAL DIMENSIONS (ALL DIMENSIONS ARE IN mm)

Tolerances are  $\pm 0.2$ mm, unless otherwise specified\*



Mounting: Mounted with adhesive/tape (not included).

### PACKAGING



| PACKAGE TYPE | QUANTITY           |
|--------------|--------------------|
| Tray         | 60 pcs/tray        |
| Vacuum Bag   | 300pcs/ Vacuum Bag |
| MOQ          | 300pcs             |

# LONG RANGE RFID TAG IDEAL FOR METAL SURFACES



**ART915X1620TX16-IC**

Ø16.0 x 2.7 mm



RoHS/RoHS II Compliant



ESD Sensitive

MSL= 1

## CAUTION

1. Do not apply excess mechanical stress to the component body or terminations. Do not attempt to re-form or bend the components as this will cause damage to the component.
2. Do not expose the component to open flame.
3. This specification applies to the functionality of the component as a single unit. For optimal performance, in-circuit validation is recommended.
4. Electrostatic sensitive device; observe standard precautions for handling.

## NOTES

1. The parts are manufactured in accordance with this specification. If other conditions and specifications which are required for this specification, please contact ABRACON for more information.
2. ABRACON will supply the parts in accordance with this specification unless we receive a written request to modify prior to an order placement.
3. In no case shall ABRACON be liable for any product failure from in appropriate handling or operation of the item beyond the scope of this specification.
4. When changing your production process post-validation, please notify ABRACON immediately.
5. ABRACON's products are COTS – Commercial-Off-The-Shelf products; suitable for Commercial, Industrial and, where designated, Automotive Applications. ABRACON's products are not specifically designed for Military, Aviation, Aerospace, Life-dependant Medical applications or any application requiring high reliability where component failure could result in loss of life and/or property damage.

REVISED: 07/19/2018



5101 Hidden Creek Lane Spicewood TX 78669  
Phone: 512-371-6159 | Fax: 512-351-8858  
For terms and conditions of sale please visit:  
[www.abracon.com](http://www.abracon.com)

ABRACON IS  
ISO9001-2015  
CERTIFIED