



Chipsmall Limited consists of a professional team with an average of over 10 year of expertise in the distribution of electronic components. Based in Hongkong, we have already established firm and mutual-benefit business relationships with customers from,Europe,America and south Asia,supplying obsolete and hard-to-find components to meet their specific needs.

With the principle of “Quality Parts,Customers Priority,Honest Operation,and Considerate Service”,our business mainly focus on the distribution of electronic components. Line cards we deal with include Microchip,ALPS,ROHM,Xilinx,Pulse,ON,Everlight and Freescale. Main products comprise IC,Modules,Potentiometer,IC Socket,Relay,Connector.Our parts cover such applications as commercial,industrial, and automotives areas.

We are looking forward to setting up business relationship with you and hope to provide you with the best service and solution. Let us make a better world for our industry!



Contact us

Tel: +86-755-8981 8866 Fax: +86-755-8427 6832

Email & Skype: info@chipsmall.com Web: www.chipsmall.com

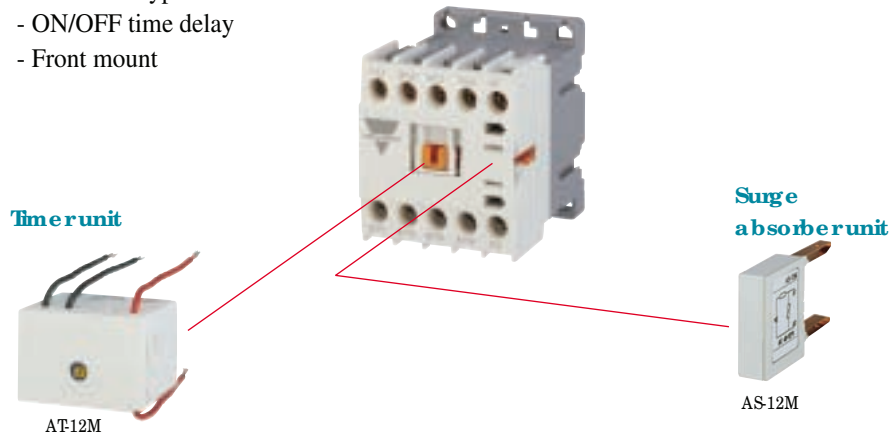
Address: A1208, Overseas Decoration Building, #122 Zhenhua RD., Futian, Shenzhen, China



Accessories for mini contactors

Timer unit, AT-12M

- Electronic type
- ON/OFF time delay
- Front mount



Electronic Timer

Type	Control voltage	Delay	Time	Applied contactors
AT12M / -o n	AC/DC 24~48V	ON	0.1~30s	CGMS-6A~16A CGMS-6D~16D
AT12M / -o ff	AC/DC 24~48V	OFF	0.1~30s	CGMS-6A~16A CGMS-6D~16D
AT12M / o n	AC 100~220V	ON	0.1~30s	CGMS-6A~16A CGMS-6D~16D
AT12M / o ff	AC 100~220V	OFF	0.1~30s	CGMS-6A~16A CGMS-6D~16D

Surge absorber unit, AS-12M

- Coil surge suppressor



Surge absorber unit

Type	Internal element	Operational voltage	Applied contactors
AS-12M / 1	Varistor	AC 24~48V	CGMS-6A~16A
AS-12M / 2		AC 60~127V	
AS-12M / 3		AC 200~240V	
AS-12M / 4		DC 12~24V	CGMS-6D~16D
AS-12M / 5		DC 30~72V	
AS-12M / 6		DC 100~127V	
AS-12M / 7		DC 200~250V	

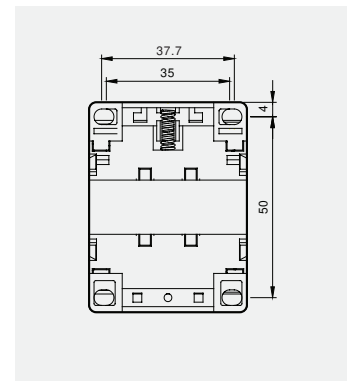
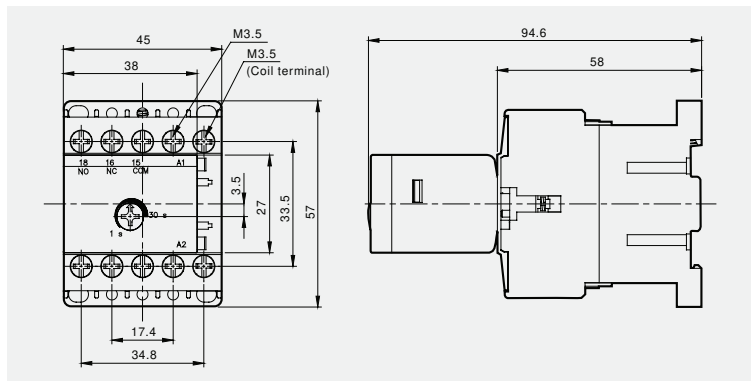
Mini c o n t a c t o r s

Dimensions

CGMS-12A

+

AF12M

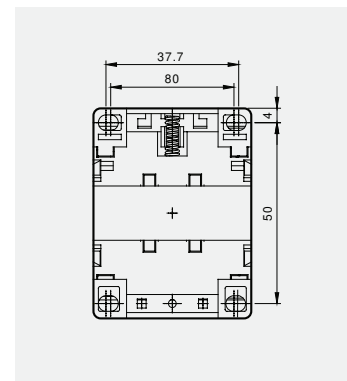
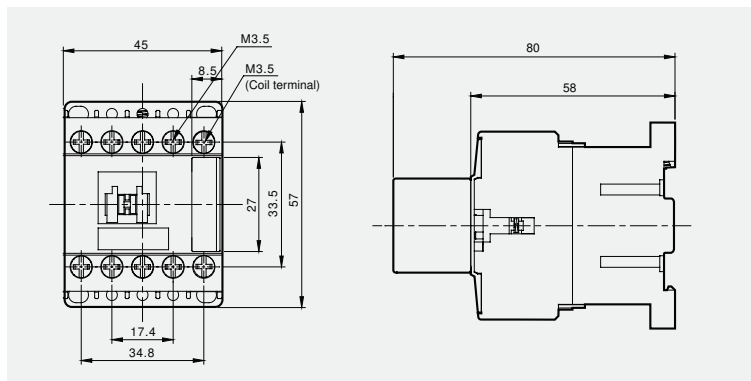


0.21kg

CGMS-12D

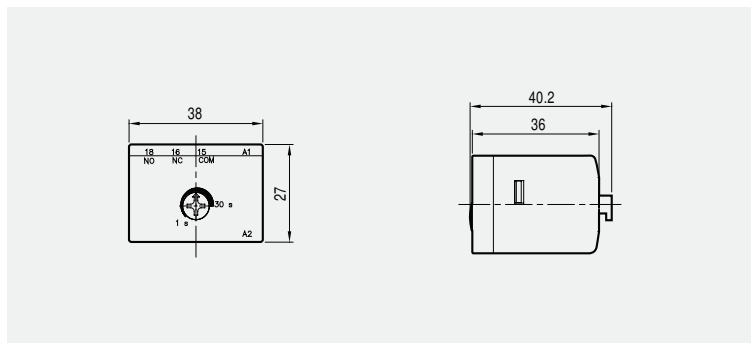
+

AS-12M



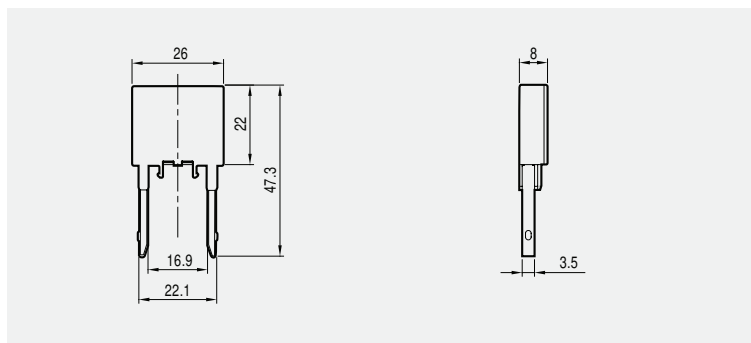
0.175kg

AF12M



0.04kg

AS-12M



0.005kg