



Chipsmall Limited consists of a professional team with an average of over 10 year of expertise in the distribution of electronic components. Based in Hongkong, we have already established firm and mutual-benefit business relationships with customers from,Europe,America and south Asia,supplying obsolete and hard-to-find components to meet their specific needs.

With the principle of “Quality Parts,Customers Priority,Honest Operation,and Considerate Service”,our business mainly focus on the distribution of electronic components. Line cards we deal with include Microchip,ALPS,ROHM,Xilinx,Pulse,ON,Everlight and Freescale. Main products comprise IC,Modules,Potentiometer,IC Socket,Relay,Connector.Our parts cover such applications as commercial,industrial, and automotives areas.

We are looking forward to setting up business relationship with you and hope to provide you with the best service and solution. Let us make a better world for our industry!



Contact us

Tel: +86-755-8981 8866 Fax: +86-755-8427 6832

Email & Skype: info@chipsmall.com Web: www.chipsmall.com

Address: A1208, Overseas Decoration Building, #122 Zhenhua RD., Futian, Shenzhen, China

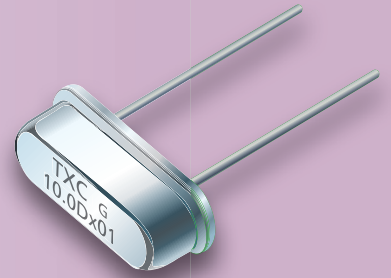


Metal Can Type Crystals HC-49S AS Series

Automotive
 Application Series

Features

- Wide operating temperature range.
- Superior and reliable performance in harsh environment.
- RoHS Compliant / Pb Free.



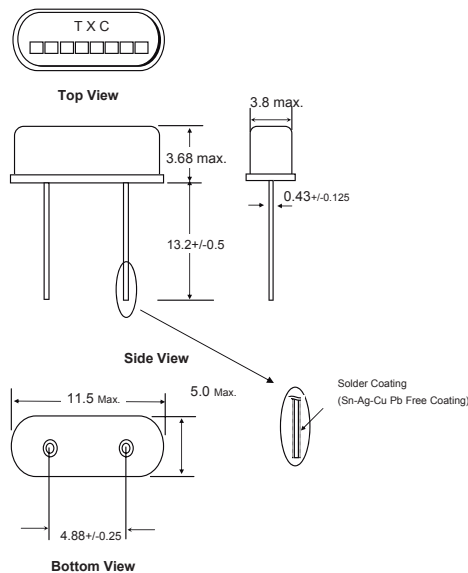
Electrical Specifications

| Item / Type | AS |
|--|---------------------------------|
| Frequency Range | 4 MHz ~ 36 MHz |
| Overtone | Fundamental / 3rd Overtone |
| Frequency Tolerance (at 25 °C) | ± 30 ppm, ± 50 ppm |
| Frequency Stability Over Operating Temperature Range | ± 80 ppm Max. |
| Operating Temperature Range | - 40 ~ +105 °C |
| Drive Level | 10 μW (typical) ; 300 μW (Max.) |
| Load Capacitance | 12 pF, or specify |
| Storage Temperature Range | - 40 ~ +105 °C |
| Reliability Standard | AEC-Q200 |

Equivalent Series Resistance(ESR)

| Fundamental | | | |
|-------------|------------|-------------|------------|
| 4 ~ 6 MHz | 150 Ω Max. | 12 ~ 16 MHz | 60 Ω Max. |
| 6 ~ 8 MHz | 120 Ω Max. | 16 ~ 32 MHz | 50 Ω Max. |
| 8 ~ 10 MHz | 80 Ω Max. | 32 ~ 36 MHz | 120 Ω Max. |
| 10 ~ 12 MHz | 70 Ω Max. | | |

Dimensions



Units: mm

Remark : Specification subject to change without prior notice. Please confirm with our sales. <http://www.txccorp.com>