



Chipsmall Limited consists of a professional team with an average of over 10 year of expertise in the distribution of electronic components. Based in Hongkong, we have already established firm and mutual-benefit business relationships with customers from,Europe,America and south Asia,supplying obsolete and hard-to-find components to meet their specific needs.

With the principle of “Quality Parts,Customers Priority,Honest Operation,and Considerate Service”,our business mainly focus on the distribution of electronic components. Line cards we deal with include Microchip,ALPS,ROHM,Xilinx,Pulse,ON,Everlight and Freescale. Main products comprise IC,Modules,Potentiometer,IC Socket,Relay,Connector.Our parts cover such applications as commercial,industrial, and automotives areas.

We are looking forward to setting up business relationship with you and hope to provide you with the best service and solution. Let us make a better world for our industry!



Contact us

Tel: +86-755-8981 8866 Fax: +86-755-8427 6832

Email & Skype: info@chipsmall.com Web: www.chipsmall.com

Address: A1208, Overseas Decoration Building, #122 Zhenhua RD., Futian, Shenzhen, China





Device Programmers and Development Tools for Microcontrollers

[Home](#)
[Products](#)
[E-Shop](#)
[Support](#)
[Contact](#)
[News](#)
[Site Map](#)

Quick Links

[Help Desk](#)
[Downloads](#)
[All Programmers](#)
[Device Search](#)
[Tools Catalogs](#)

Shopping Cart

Items: 0
Total: \$0.00

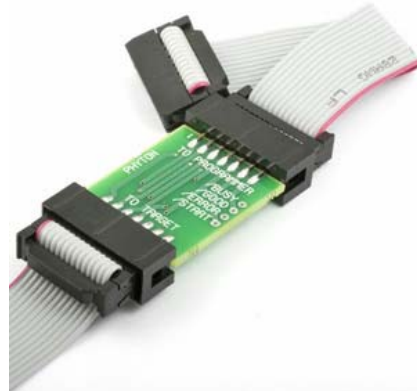
[Your Account](#)

Products

[Development Tools](#)
[ARM](#)
[8051](#)
[Other](#)
[Device programmers](#)
[All Models](#)
[Universal](#)
[In-System](#)
[Gang](#)
[Adapters](#)
[Custom made tools](#)
[OEM tools](#)

AS-ISP-EPM

ChipProg-ISP BH14/ BH10 specialized adapter for in system programming of Altera EPM300A PLD family .



Description:

ChipProg-ISP BH14/BH10 specialized adapter for in system programming of Altera EPM300A PLD family .

Supported Devices:

Click the device programmer model below to get an appropriate list of the devices supported by this programmer with this adapter:

- [ChipProg-ISP](#)

[Adapter wiring diagram](#)

Connections to the target devices:

- [AS-ISP-EPM connection for the EPM300A devices](#)

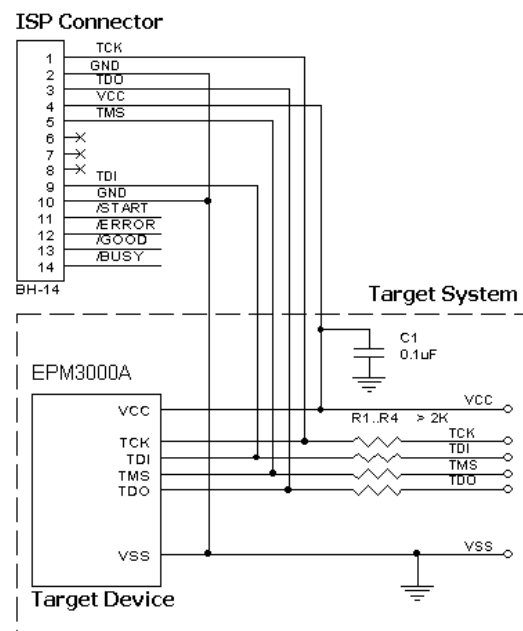
AS-ISP-EPM connection for the EPM300A devices

Supported Devices:

Click the programmer model below to get an appropriate list of the devices supported by the adapter:

- [ChipProg-ISP](#)

Recommended connection:



Powering the target device:

There are two alternative options for powering the targets:

1. The target gets power from the programmer (Vdd). This is possible only if the target does not consume too much energy. A capacity of the target power circuitry should not exceed 50 uF.
2. The target gets power from a built-in or external power supply. In this case the power output from the programmer should not be connected with the target. The target system should be tolerant to applying logical signals with the voltage levels exceeding the voltages on the target.

NOTE! It is strictly prohibited to power the target from both the programmer and built-in or external power supply simultaneously.

Isolating resistors:

Purpose of the R1..R4 resistors is to isolate the programmed chip from rest of target system. Recommended value of resistors R1..R4 is 2k or more. You can also use jumpers instead of the resistors.

ISP characteristics:

1. Programmer's output capability:

1.1 Vcc - 80 mA;
 1.2 Vpp - 50 mA;
 1.3 logical pins - 5 mA.

2. The cable length should be less then one foot.

/Start is the input signal, active state is 0. This signal works as the Start button on the programmer.

/Error, /Good, /Busy are output logical signals, active state is 0. They indicate the programmer status and work as the corresponding LEDs on the programmer case.

Table of connections of the adapter output socket to the device pins:

Adapter Output connector, BH-14	Target Device EPM3xxx	
1	TCK	
2	GND	
3	TDO	
4	VCC	
5	TMS	
6,7,8	-	
9	TDI	
10	GND	
Adapter Connection Table:		
From Programmer Output Connector, BH -14	To the Target Device	Status and Control Signals from Programmer
1	1	
2	2	
3	3	
4	4	
5	5	
6	6	
7	7	
8	8	
9	10	
10	9	
11		/Start
12		/Error
13		/Good
14		/Busy