



Chipsmall Limited consists of a professional team with an average of over 10 year of expertise in the distribution of electronic components. Based in Hongkong, we have already established firm and mutual-benefit business relationships with customers from,Europe,America and south Asia,supplying obsolete and hard-to-find components to meet their specific needs.

With the principle of “Quality Parts,Customers Priority,Honest Operation,and Considerate Service”,our business mainly focus on the distribution of electronic components. Line cards we deal with include Microchip,ALPS,ROHM,Xilinx,Pulse,ON,Everlight and Freescale. Main products comprise IC,Modules,Potentiometer,IC Socket,Relay,Connector.Our parts cover such applications as commercial,industrial, and automotives areas.

We are looking forward to setting up business relationship with you and hope to provide you with the best service and solution. Let us make a better world for our industry!



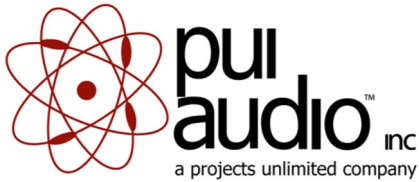
Contact us

Tel: +86-755-8981 8866 Fax: +86-755-8427 6832

Email & Skype: info@chipsmall.com Web: www.chipsmall.com

Address: A1208, Overseas Decoration Building, #122 Zhenhua RD., Futian, Shenzhen, China





New Product Feature

Slim-Line Micro Speakers

PUI Audio, Inc.'s new line of slim-line micro speakers are purpose-built for space-limited, modern electronics such as smartphones, tablets, laptops, as well as wearable technology and IoT devices such as WiFi-enabled thermostats.

15 x 11 mm Slim-Line Micro Speakers

The **AS01508AO-SC-R** is a 15 x 11 speaker with pre-installed double-sided adhesive for quick, easy installation and spring-loaded contacts for a solderless electrical connection and features a 4.42 mm thickness.

25 mm speaker leads replace the spring contacts on the AS01508AO-SC-R to minimize thickness to 3.9 mm on the **AS01508AO-LW25-R**.

For more output and lower distortion, a multi-magnet motor drives the **AS01508AO-3-R**, while solder pads drive the thickness down to 3.5 mm.

A spring-contact version is available in the **AS01508AO-3-SC-R**.

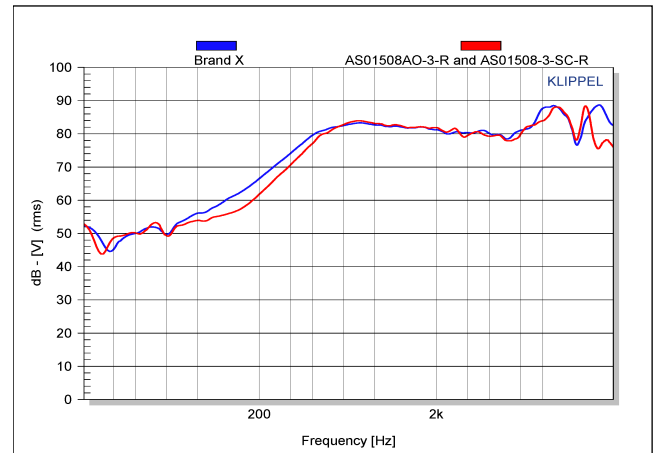
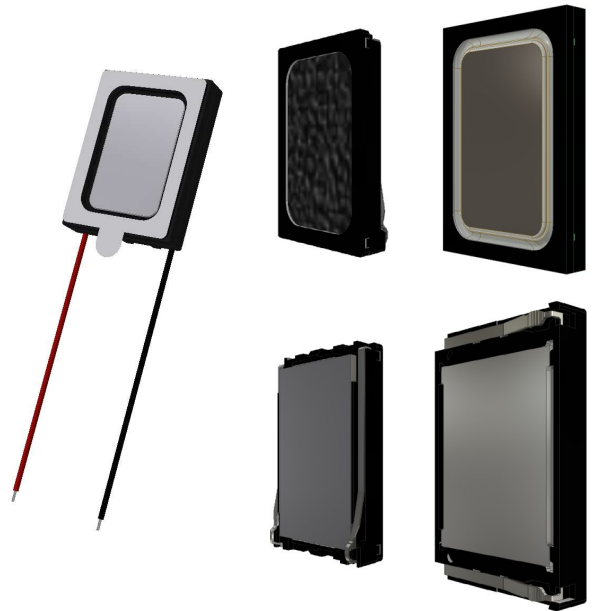
These are also available with an IP65-rated face: the **AS01508AO-WP-R** and the **AS01508AO-SC-WP-R**.

Each 15 x 11 mm speaker features a class-leading resonant frequency below 600 Hz for realistic sound.

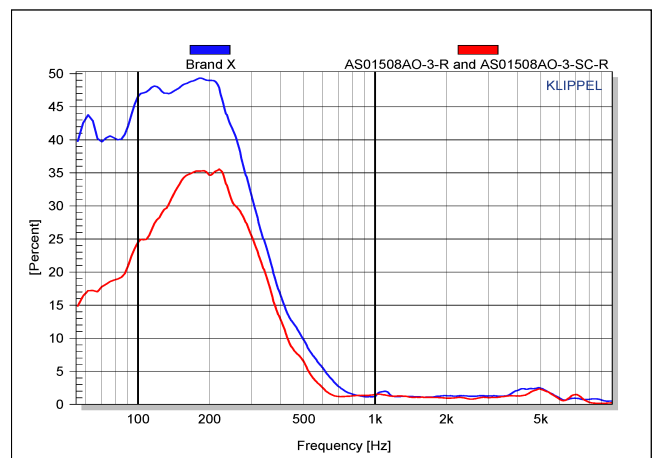
18 x 13 mm Slim-Line Micro Speakers

PUI Audio's 18 x 13 mm speakers build on the performance of the 15 x 11 mm speakers, while reducing the overall thickness to below 3 mm on the **AS01808AO-3-R** with solder pads and 3.1 mm on the **AS01808AO-3-SC-R** with spring contacts.

Both feature an amazingly low resonant frequency of 320 Hz and are available with IP65-rated faces in the **AS01808AO-WP-R** and **AS01808AO-SC-WP-R**.

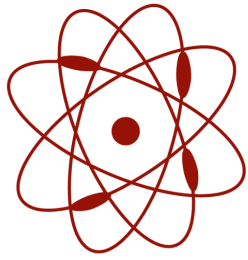


Frequency Response Comparison



Total Harmonic Distortion (THD) Comparison

Contact your PUI Audio distributor today for pricing and availability!



pui
audio™
INC
a projects unlimited company

AS01508AO-3-SC-R 15x11mm Slim-Mount Speaker

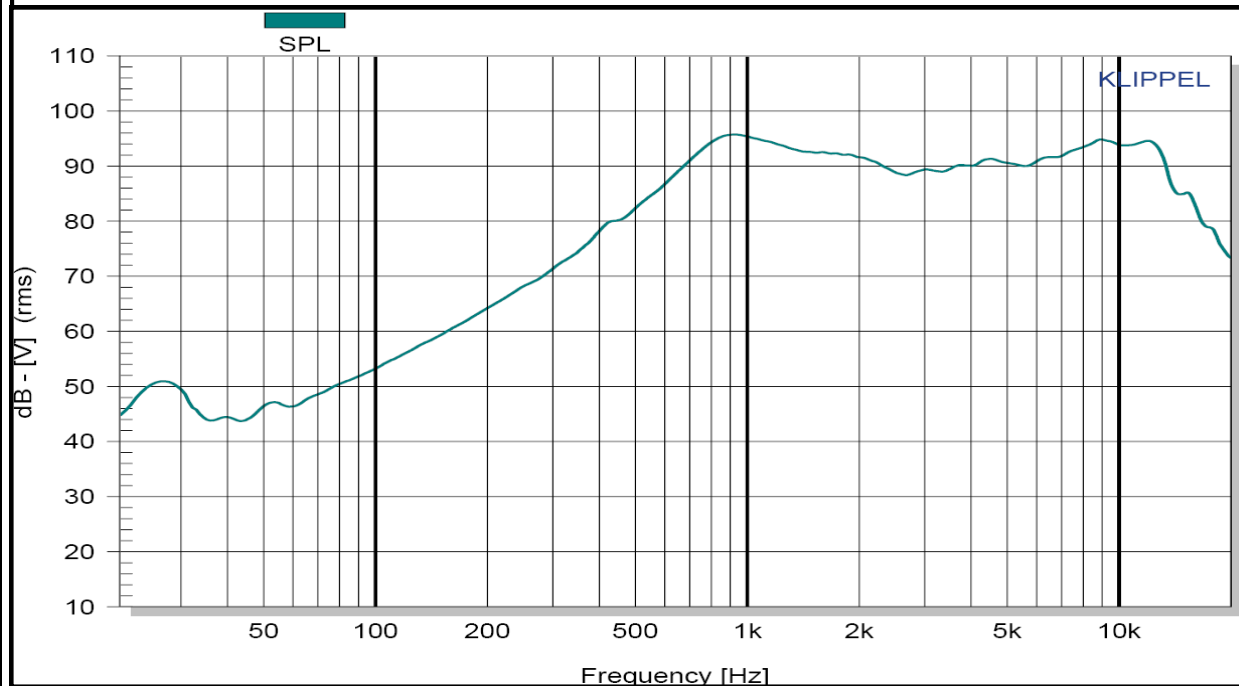
3541 Stop Eight Road • Dayton, Ohio 45414

Product Overview

- 15 x 11 mm speaker with Neodymium magnet for 94 dB sensitivity
- 0.7W continuous, 1W maximum power handling and 8Ω impedance
- Less than 5 mm thick for space-limited applications such as cell phones and consumer electronics with spring contacts

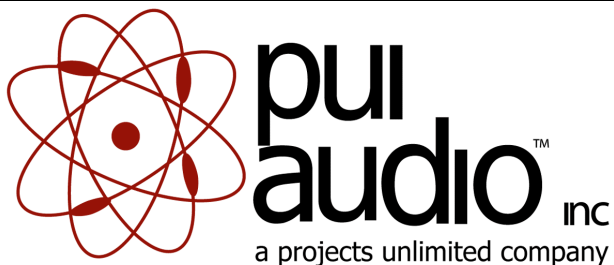


Frequency Response (0.7W @ 10 cm)



An Initiative of the EPC and G&S

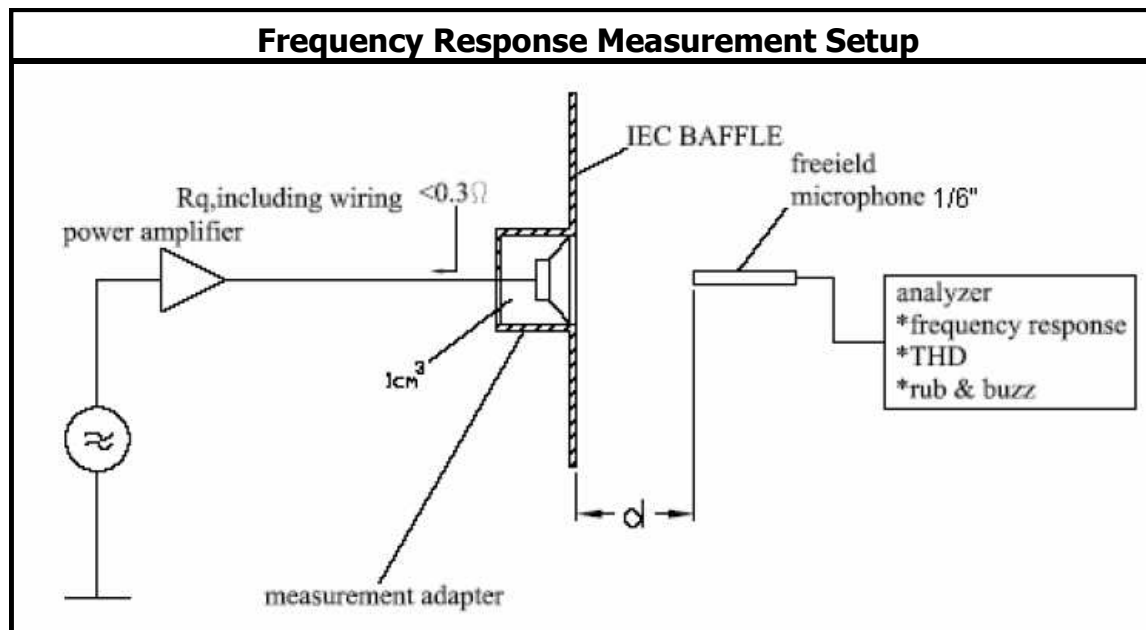




AS01508AO-3-SC-R 15x11mm Slim-Mount Speaker

Mechanical and Environment Testing	
Test Description	Test Condition
High Temperature	60°C with random humidity for 96 hours
Low Temperature	-25°C with random humidity for 96 hours
Humidity	40°C with 90% to 95% relative humidity for 96 hours
Vibration	1.5 mm movement modulated at 15 to 45 Hz for 3 hours
Drop Test	75 cm free fall onto concrete, 10 cycles
Temperature Cycle Test	-25°C to 60°C, 4 cycles

After tests, speaker shall rest for 1 hours. SPL shall not deviate ± 3 dB from pre-test measurement.



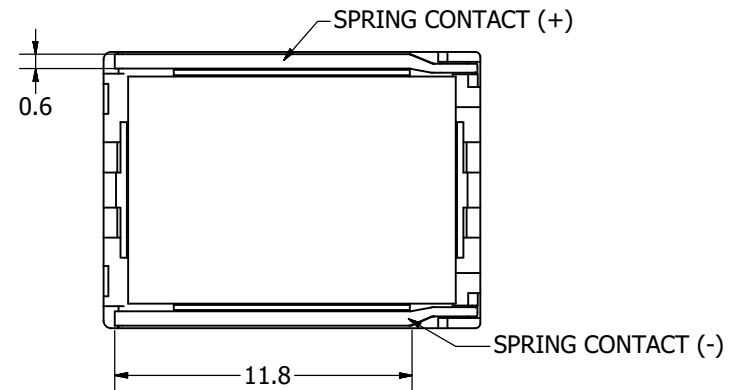
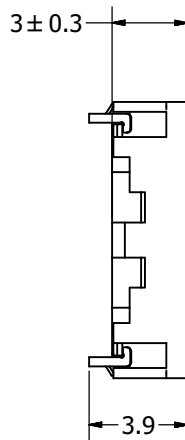
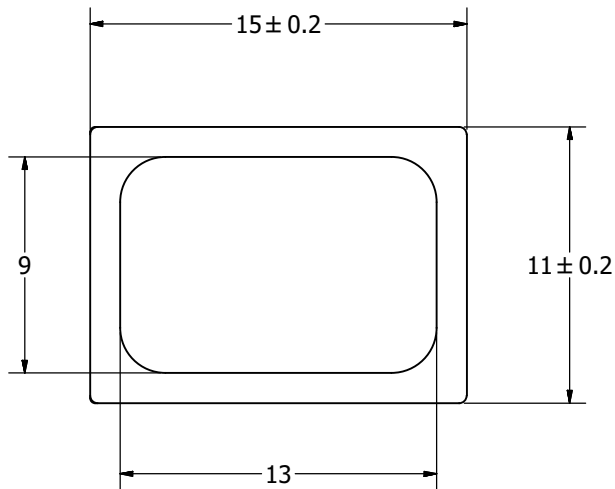
SPECIFICATIONS

PARAMETERS	VALUES	UNITS
RATED INPUT POWER	0.7	W
MAX INPUT POWER	1.0	W
IMPEDANCE	8± 15%	OHM
OUTPUT SPL @ 0.7W/0.1M (AVG. 0.8, 1, 1.2, 1.5 kHz)	94±3	dBa
DISTORTION (MAX.)	5%	-
RESONANT FREQUENCY	500±20%	Hz
FREQUENCY RANGE	Fo ~ 14,000	Hz
HOUSING MATERIAL	ABS	-
CONE MATERIAL	MYLAR	-
MAGNET MATERIAL	NdFeB	-
OPERATING TEMPERATURE	-25 ~ +60	°C
WEIGHT	1.7	grams

THIS DOCUMENT CONTAINS DATA PROPRIETARY TO PROJECTS UNLIMITED, INC. ANY USE OR REPRODUCTION, IN ANY FORM, WITHOUT PRIOR WRITTEN PERMISSION OF PROJECTS UNLIMITED, INC. IS PROHIBITED.
©2003, Projects Unlimited Inc.

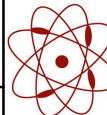
REVISION HISTORY

LTR	DESCRIPTION	DATE	APPROVED
-	RELEASED FROM ENGINEERING	3/23/16	



NOTES:

1. ALL DIMENSIONS ARE IN MILLIMETERS.
2. SPECIFICATIONS SUBJECT TO CHANGE OR WITHDRAWAL WITHOUT NOTICE.
3. THIS PART IS RoHS 2011/65/EU COMPLIANT.

UNLESS OTHERWISE SPECIFIED: DIMENSIONS ARE IN MILLIMETERS, TOLERANCES ARE ±0.5 AND ANGLES ARE ±3°.	SIZE A3	Designed by	Date	Checked by	Date	Approved by	Date	Drawn Date
		M.V.	3/23/2016	M.V.	3/23/2016	B.R.	3/23/2016	3/23/2016
		AS01508AO-3-SC-R.idw		 pui audio <small>INC</small> <small>a projects unlimited company</small>			AS01508AO-3-SC-R Speaker	