



Chipsmall Limited consists of a professional team with an average of over 10 year of expertise in the distribution of electronic components. Based in Hongkong, we have already established firm and mutual-benefit business relationships with customers from,Europe,America and south Asia,supplying obsolete and hard-to-find components to meet their specific needs.

With the principle of “Quality Parts,Customers Priority,Honest Operation,and Considerate Service”,our business mainly focus on the distribution of electronic components. Line cards we deal with include Microchip,ALPS,ROHM,Xilinx,Pulse,ON,Everlight and Freescale. Main products comprise IC,Modules,Potentiometer,IC Socket,Relay,Connector.Our parts cover such applications as commercial,industrial, and automotives areas.

We are looking forward to setting up business relationship with you and hope to provide you with the best service and solution. Let us make a better world for our industry!



Contact us

Tel: +86-755-8981 8866 Fax: +86-755-8427 6832

Email & Skype: info@chipsmall.com Web: www.chipsmall.com

Address: A1208, Overseas Decoration Building, #122 Zhenhua RD., Futian, Shenzhen, China

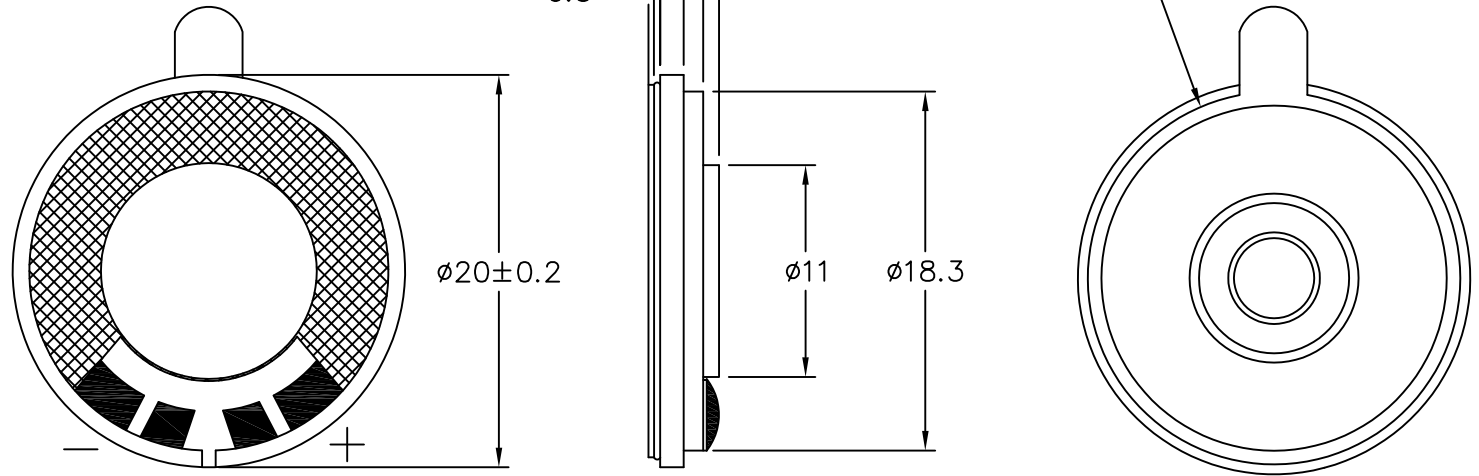


THIS DOCUMENT CONTAINS DATA PROPRIETARY TO PROJECTS UNLIMITED, INC. ANY USE OR REPRODUCTION, IN ANY FORM, WITHOUT PRIOR WRITTEN PERMISSION OF PROJECTS UNLIMITED, INC. IS PROHIBITED.
© 2005, Projects Unlimited Inc.

SPECIFICATIONS

| PARAMETERS | VALUES | UNITS |
|---|-------------|-------|
| RATED INPUT POWER | 0.5 | W |
| MAX INPUT POWER | 0.8 | W |
| IMPEDANCE | 8±15% | OHM |
| OUTPUT SPL @ 0.1W/0.1M (AT 0.8, 1.0, 1.2, 1.5 kHz) | 86±3 | dBa |
| DISTORTION (MAX.) | 5% | - |
| RESONANT FREQUENCY | 500±20% | Hz |
| FREQUENCY RANGE | 500 ~ 4,000 | Hz |
| HOUSING MATERIAL | METAL | - |
| CONE MATERIAL | MYLAR | - |
| MAGNET MATERIAL | Nd-Fe-B | - |
| OPERATING TEMPERATURE | -20 ~ +55 | °C |
| WEIGHT | 2.4 | grams |


| REVISIONS | | | |
|-----------|---------------------------|---------|----------|
| LTR | DESCRIPTION | DATE | APPROVED |
| - | RELEASED FROM ENGINEERING | 4/28/09 | |
| A | REVISED TERMINAL LAYOUT | 9/24/10 | B.R. |



NOTES:

1. ALL DIMENSIONS ARE IN MILLIMETERS.
2. SPECIFICATION SUBJECT TO CHANGE OR WITHDRAWAL WITHOUT NOTICE.
3. THIS PART IS RoHS 2002/95/EC COMPLIANT.

FILE NAME
AS02008MR-5-R.DWG

| | | | |
|---|------|--|---|
| UNLESS OTHERWISE SPECIFIED: DIMENSIONS ARE IN MILLIMETERS, TOLERANCES ARE ± 0.5 AND ANGLES ARE $\pm 3^\circ$. | |  <p>pui audio A Division of Projects Unlimited</p> | 6300 Sand Lake Road Dayton, Ohio 45414 |
| APPROVALS | DATE | | |
| DRAWN | B.R. | 4/09 | <h2>SPEAKER</h2> <p>DRAWING NO. AS02008MR-5-R</p> |
| CHECKED | C.W. | 4/09 | |
| APPROVED | B.R. | 4/09 | |
| SCALE: N.T.S. | | SHEET 1 OF 1 | |