



Chipsmall Limited consists of a professional team with an average of over 10 year of expertise in the distribution of electronic components. Based in Hongkong, we have already established firm and mutual-benefit business relationships with customers from,Europe,America and south Asia,supplying obsolete and hard-to-find components to meet their specific needs.

With the principle of "Quality Parts,Customers Priority,Honest Operation,and Considerate Service",our business mainly focus on the distribution of electronic components. Line cards we deal with include Microchip,ALPS,ROHM,Xilinx,Pulse,ON,Everlight and Freescale. Main products comprise IC,Modules,Potentiometer,IC Socket,Relay,Connector.Our parts cover such applications as commercial,industrial, and automotives areas.

We are looking forward to setting up business relationship with you and hope to provide you with the best service and solution. Let us make a better world for our industry!



Contact us

Tel: +86-755-8981 8866 Fax: +86-755-8427 6832

Email & Skype: info@chipsmall.com Web: www.chipsmall.com

Address: A1208, Overseas Decoration Building, #122 Zhenhua RD., Futian, Shenzhen, China

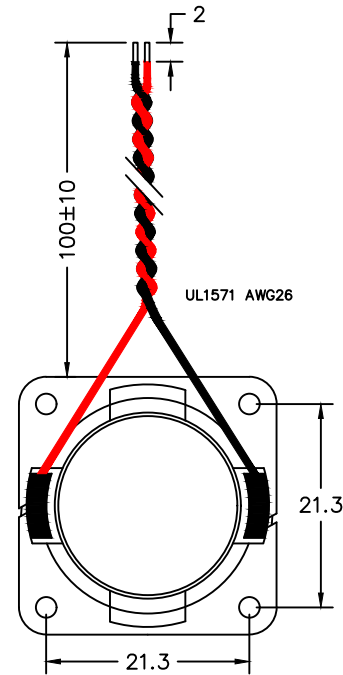
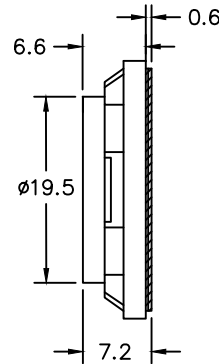
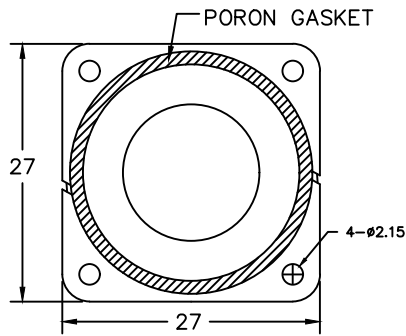


THIS DOCUMENT CONTAINS DATA PROPRIETARY TO PROJECTS UNLIMITED, INC. ANY USE OR REPRODUCTION, IN ANY FORM, WITHOUT PRIOR WRITTEN PERMISSION OF PROJECTS UNLIMITED, INC. IS PROHIBITED.
© 2005, Projects Unlimited Inc.

SPECIFICATIONS


PARAMETERS	VALUES	UNITS
RATED INPUT POWER	2.0	W
MAX INPUT POWER	2.5	W
IMPEDANCE	4±15%	OHM
OUTPUT SPL @ 1W/0.5M (0.8, 1, 1.2, 1.5 kHz AVG.)	79±3	dB
DISTORTION (MAX.)	10%	—
RESONANT FREQUENCY	350±20%	Hz
FREQUENCY RANGE	F _o ~ 20,000	Hz
HOUSING MATERIAL	PBT	—
CONE MATERIAL	PEI	—
MAGNET MATERIAL	NdFeB	—
OPERATING TEMPERATURE	-20 ~ +60	°C
WEIGHT	TBD	grams

REVISIONS			
LTR	DESCRIPTION	DATE	APPROVED
-	RELEASED FROM ENGINEERING	3/21/18	



NOTES:

- ALL DIMENSIONS ARE IN MILLIMETERS.
- SPECIFICATION SUBJECT TO CHANGE OR WITHDRAWAL WITHOUT NOTICE.
- THIS PART IS RATED IP66 FROM FACE OF SPEAKER WHEN PROPERLY MOUNTED.
- THIS PART IS RoHS 2011/65/EU COMPLIANT.

<small>UNLESS OTHERWISE SPECIFIED: ALL PURCHASES ARE SUBJECT TO THE PUI AUDIO TERMS AND CONDITIONS SALE FOUND AT http://www.puiaudio.com/pdf/terms_conditions.pdf (paper copy available upon request). DIMENSIONS ARE IN MILLIMETERS.TOLERANCES ARE ±0.5 AND ANGLES ARE ±3°.</small>		 <p>pui audio inc a projects unlimited company</p>	<p>3541 Stop Eight Road Dayton, Ohio 45414</p>		
APPROVALS	DATE			<h1>SPEAKER</h1>	
DRAWN	M.L.	3/18	SIZE		<p>DRAWING NO. AS02704MS-N50-LW100-R</p>
CHECKED	M.L.	3/18	A		
APPROVED	B.R.	3/18	SCALE: N.T.S.	SHEET 1 OF 1	

BASE SPEAKER:
AS02504PR-N50-R

FILE NAME
AS02704MS-N50-LW100-R.DWG