



Chipsmall Limited consists of a professional team with an average of over 10 year of expertise in the distribution of electronic components. Based in Hongkong, we have already established firm and mutual-benefit business relationships with customers from,Europe,America and south Asia,supplying obsolete and hard-to-find components to meet their specific needs.

With the principle of “Quality Parts,Customers Priority,Honest Operation,and Considerate Service”,our business mainly focus on the distribution of electronic components. Line cards we deal with include Microchip,ALPS,ROHM,Xilinx,Pulse,ON,Everlight and Freescale. Main products comprise IC,Modules,Potentiometer,IC Socket,Relay,Connector.Our parts cover such applications as commercial,industrial, and automotives areas.

We are looking forward to setting up business relationship with you and hope to provide you with the best service and solution. Let us make a better world for our industry!



Contact us

Tel: +86-755-8981 8866 Fax: +86-755-8427 6832

Email & Skype: info@chipsmall.com Web: www.chipsmall.com

Address: A1208, Overseas Decoration Building, #122 Zhenhua RD., Futian, Shenzhen, China



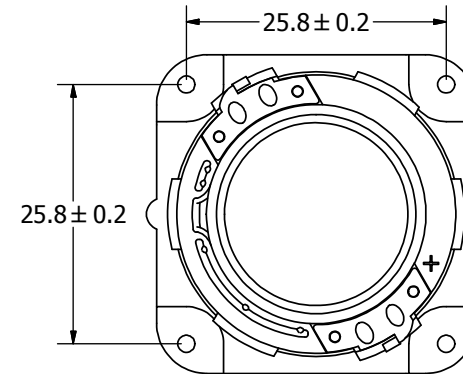
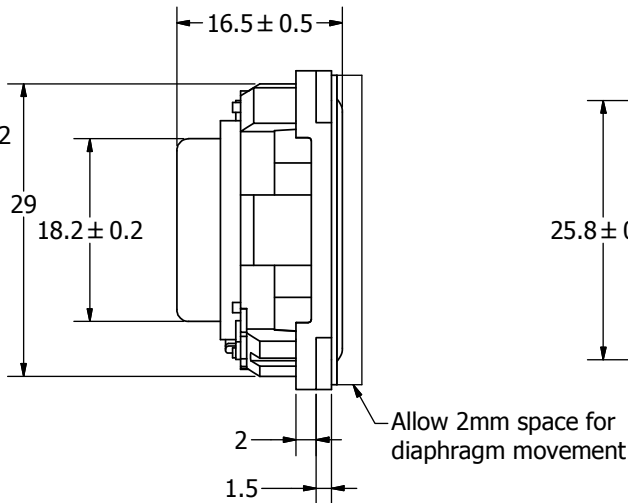
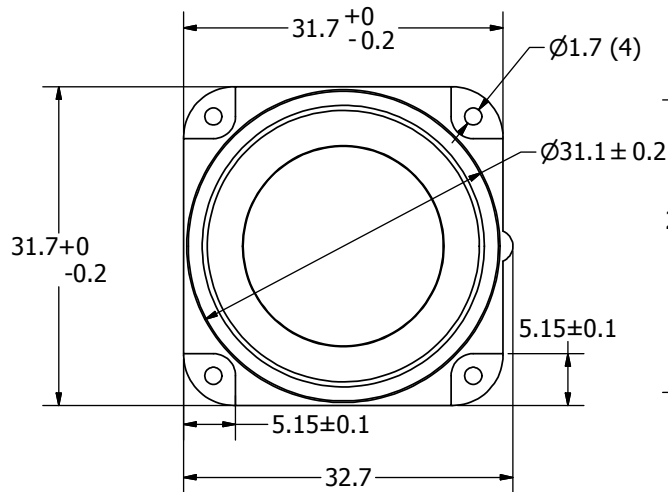
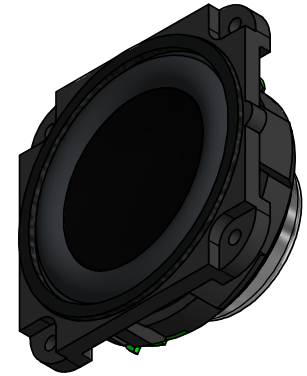
SPECIFICATIONS

PARAMETERS	VALUES	UNITS
RATED INPUT POWER	3	W
MAX INPUT POWER	4	W
IMPEDANCE	8 ± 15%	OHM
OUTPUT SPL @ 1W/0.5M (AT 0.6, 0.8, 1.0, 1.2 kHz)	85 ± 3	dBA
DISTORTION (MAX. @ 1W/1 kHz)	5%	-
RESONANT FREQUENCY	200 ± 20%	Hz
FREQUENCY RANGE	200 ~ 20,000	Hz
HOUSING MATERIAL	ABS	-
CONE MATERIAL	PPE	-
MAGNET MATERIAL	NdFeB	-
OPERATING TEMPERATURE	-25 ~ +60	°C
WEIGHT	16.6	grams

THIS DOCUMENT CONTAINS DATA PROPRIETARY TO PROJECTS UNLIMITED, INC. ANY USE OR REPRODUCTION, IN ANY FORM, WITHOUT PRIOR WRITTEN PERMISSION OF PROJECTS UNLIMITED, INC. IS PROHIBITED.
©2003, Projects Unlimited Inc.

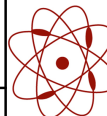
REVISION HISTORY

LTR	DESCRIPTION	DATE	APPROVED
-	RELEASED FROM ENGINEERING	5/2/16	
A	REVISED IP RATING TO IP65	12/8/16	M.V.



NOTES:

1. ALL DIMENSIONS ARE IN MILLIMETERS.
2. SPECIFICATIONS SUBJECT TO CHANGE OR WITHDRAWL WITHOUT NOTICE.
3. THIS PART IS RoHS 2011/65/EU COMPLIANT.
4. THE FACE OF THIS PART COMPLIES WITH IP65 WATERPROOFING AND DUST INGRESS STANDARDS.

UNLESS OTHERWISE SPECIFIED: DIMENSIONS ARE IN MILLIMETERS, TOLERANCES ARE ±0.5 AND ANGLES ARE ±3°.	SIZE A3	Designed by	Date	Checked by	Date	Approved by	Date	Drawn Date
		M.V.	5/2/2016	M.V.	5/2/2016	B.R.	5/2/2016	5/2/2016
AS03208MS-3-R.idw		 pui audio a projects unlimited company		AS03208MS-3-R Speaker			Edition	Sheet
							-	1 / 1

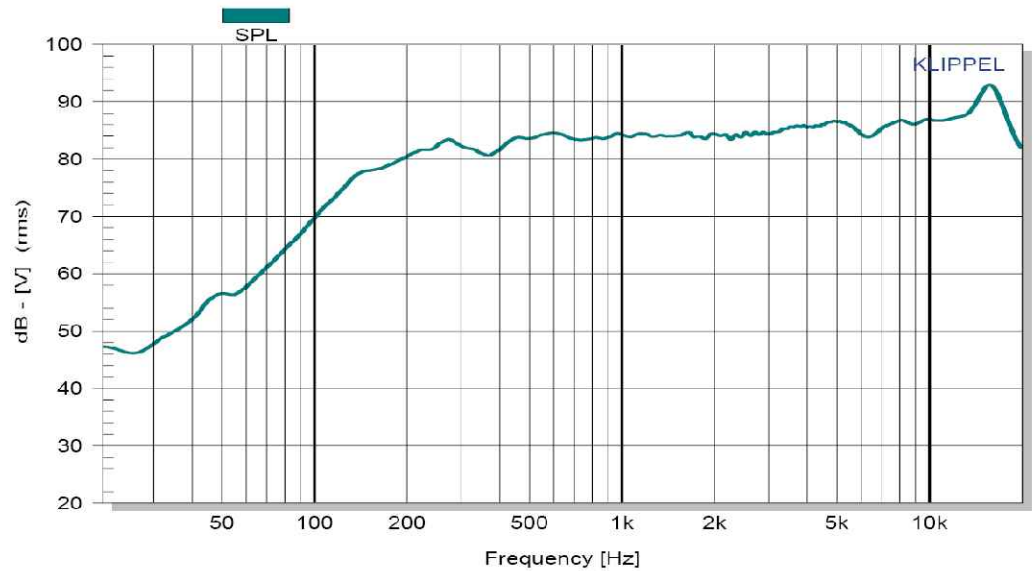
THIS DOCUMENT CONTAINS DATA PROPRIETARY TO PROJECTS UNLIMITED, INC. ANY USE OR REPRODUCTION, IN ANY FORM, WITHOUT PRIOR WRITTEN PERMISSION OF PROJECTS UNLIMITED, INC. IS PROHIBITED.
© 2005, Projects Unlimited Inc.

THIELE/SMALL PARAMETERS


PARAMETERS	VALUES
DC RESISTANCE (Re)	7.57
INDUCTANCE (Le) @ 1kHz	0.36
MAXIMUM IMPEDANCE (Zm)	41 OHMS
MECHANICAL Q FACTOR (Qms)	4.07
ELECTRICAL Q FACTOR (Qes)	0.92
TOTAL Q FACTOR (Qts)	0.75
EQUIVALENT AIR VOLUME (Vas)	0.05 LITERS
VOICE COIL DIAMETER	14 mm
XMAX ((VOICE COIL HEIGHT - GAP)/2)	1.5 mm
XMECH (MAXIMUM EXCURSION BEFORE DAMAGE)	2.5 mm
RECOMMENDED SEALED ENCLOSURE VOLUME RANGE	0.05~1 LITERS
RECOMMENDED PORTED VOLUME AND TUNING FREQUENCY	0.25L, 90 Hz (-3 dB) 85 Hz



REVISIONS			
LTR	DESCRIPTION	DATE	APPROVED
-	RELEASED FROM ENGINEERING	5/12/16	



- High fidelity design for consumer applications where sound quality matters
- Great sensitivity and power handling for a speaker this size
- IP65 rated speaker face for outdoor use
- Works well in a wide range of enclosure volumes

<small>UNLESS OTHERWISE SPECIFIED: ALL PURCHASES ARE SUBJECT TO THE PUI AUDIO TERMS AND CONDITIONS SALE FOUND AT http://www.puiaudio.com/pdf/terms_conditions.pdf (paper copy available upon request). DIMENSIONS ARE IN MILLIMETERS, TOLERANCES ARE ±0.5 AND ANGLES ARE ±3°.</small>		 <p>pui audio inc a projects unlimited company</p>	3541 Stop Eight Road Dayton, Ohio 45414
APPROVALS DRAWN <i>M.V.</i> CHECKED <i>M.V.</i> APPROVED <i>B.R.</i>	DATE 5/16 5/16 5/16		