



Chipsmall Limited consists of a professional team with an average of over 10 year of expertise in the distribution of electronic components. Based in Hongkong, we have already established firm and mutual-benefit business relationships with customers from,Europe,America and south Asia,supplying obsolete and hard-to-find components to meet their specific needs.

With the principle of “Quality Parts,Customers Priority,Honest Operation,and Considerate Service”,our business mainly focus on the distribution of electronic components. Line cards we deal with include Microchip,ALPS,ROHM,Xilinx,Pulse,ON,Everlight and Freescale. Main products comprise IC,Modules,Potentiometer,IC Socket,Relay,Connector.Our parts cover such applications as commercial,industrial, and automotives areas.

We are looking forward to setting up business relationship with you and hope to provide you with the best service and solution. Let us make a better world for our industry!



Contact us

Tel: +86-755-8981 8866 Fax: +86-755-8427 6832

Email & Skype: info@chipsmall.com Web: www.chipsmall.com

Address: A1208, Overseas Decoration Building, #122 Zhenhua RD., Futian, Shenzhen, China



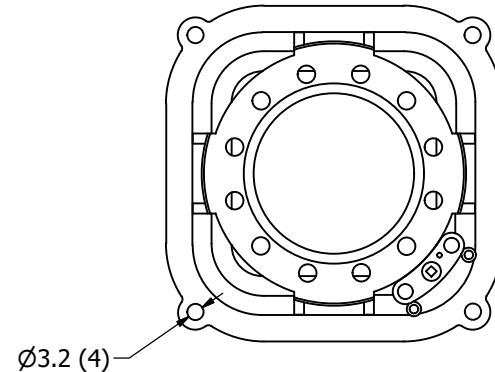
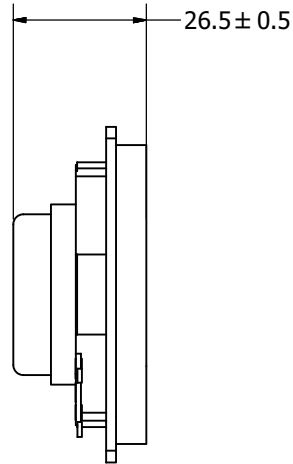
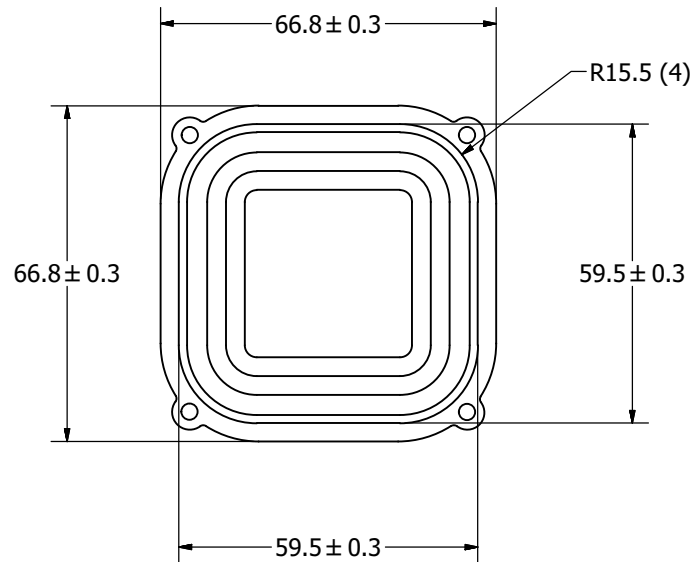
SPECIFICATIONS

| PARAMETERS | VALUES | UNITS |
|---|------------|-------|
| RATED INPUT POWER | 10 | W |
| MAX INPUT POWER | 15 | W |
| IMPEDANCE | 8± 15% | OHM |
| OUTPUT SPL @ 1W/0.1M (AT 110, 1,000, and 6,000 Hz) | 99± 3 | dB |
| RESONANT FREQUENCY | 160± 20% | Hz |
| FREQUENCY RANGE | Fo~ 18,000 | Hz |
| HOUSING MATERIAL | ABS | - |
| CONE MATERIAL | PAPER | - |
| MAGNET MATERIAL | NdFeB | - |
| OPERATING TEMPERATURE | -20~ +60 | °C |
| WEIGHT | 85 | grams |

THIS DOCUMENT CONTAINS DATA PROPRIETARY TO PROJECTS UNLIMITED, INC. ANY USE OR REPRODUCTION, IN ANY FORM, WITHOUT PRIOR WRITTEN PERMISSION OF PROJECTS UNLIMITED, INC. IS PROHIBITED.
©2003, Projects Unlimited Inc.

REVISION HISTORY

| LTR | DESCRIPTION | DATE | APPROVED |
|-----|---------------------------|-----------|----------|
| - | RELEASED FROM ENGINEERING | 5/19/2016 | |



NOTES:

1. ALL DIMENSIONS ARE IN MILLIMETERS.
2. SPECIFICATIONS SUBJECT TO CHANGE OR WITHDRAWAL WITHOUT NOTICE.
3. THIS PART IS RoHS 2011/65/EU COMPLIANT.

| UNLESS OTHERWISE SPECIFIED: DIMENSIONS ARE IN MILLIMETERS, TOLERANCES ARE ±0.5 AND ANGLES ARE ±3°. | SIZE A3 | Designed by | Date | Checked by | Date | Approved by | Date | Drawn Date |
|--|-------------------|-------------|-----------|------------|-------------------------------|-------------|-----------|------------|
| | | M.V. | 5/19/2016 | M.V. | 5/19/2016 | B.R. | 5/19/2016 | 5/19/2016 |
| AS06008PS-R.idw | | | | | AS06008PS-R Speaker | | Edition | Sheet |
| | | | | | | | - | 1 / 1 |

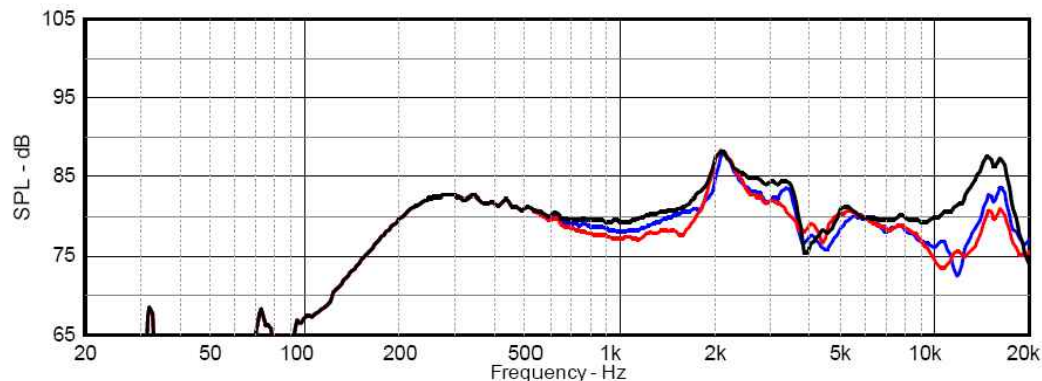
THIS DOCUMENT CONTAINS DATA PROPRIETARY TO PROJECTS UNLIMITED, INC. ANY USE OR REPRODUCTION, IN ANY FORM, WITHOUT PRIOR WRITTEN PERMISSION OF PROJECTS UNLIMITED, INC. IS PROHIBITED.
© 2005, Projects Unlimited Inc.

THIELE/SMALL PARAMETERS

| PARAMETERS | VALUES |
|---|--------------------------------|
| DC RESISTANCE (Re) | 8.65 OHMS |
| INDUCTANCE (Le) @ 1kHz | 0.36 mH |
| MAXIMUM IMPEDANCE (Zm) | 24.7 OHMS |
| MECHANICAL Q FACTOR (Qms) | 3.35 |
| ELECTRICAL Q FACTOR (Qes) | 1.80 |
| TOTAL Q FACTOR (Qts) | 1.17 |
| EQUIVALENT AIR VOLUME (Vas) | 0.06 LITERS |
| VOICE COIL DIAMETER | 25.4 mm |
| XMAX ((VOICE COIL HEIGHT - GAP)/2) | EVEN HUNG |
| XMECH (MAXIMUM EXCURSION BEFORE DAMAGE) | 4 mm |
| RECOMMENDED SEALED ENCLOSURE VOLUME RANGE | 0.1~0.6 LITERS |
| RECOMMENDED PORTED VOLUME AND TUNING FREQUENCY FOR FLAT RESPONSE AND LOWEST FREQUENCY EXTENSION | 0.7L, 130 Hz (-3 dB) 110 Hz |



| REVISIONS | | | |
|-----------|---------------------------|---------|----------|
| LTR | DESCRIPTION | DATE | APPROVED |
| - | RELEASED FROM ENGINEERING | 5/19/16 | |



Black is on-axis Blue is 45° off-axis Red is 90° off-axis

- Unique design produces superior off-axis response for great coverage
- Even-hung motor design with high-energy magnet reduces distortion
- Flat design for an overall height that is less than 26mm
- Dual spiders for extreme power handling

| | | | |
|---|------------------------------|--|--|
| <small>UNLESS OTHERWISE SPECIFIED: ALL PURCHASES ARE SUBJECT TO THE PUI AUDIO TERMS AND CONDITIONS SALE FOUND AT http://www.puiaudio.com/pdf/terms_conditions.pdf (paper copy available upon request). DIMENSIONS ARE IN MILLIMETERS.TOLERANCES ARE ±0.5 AND ANGLES ARE ±3°.</small> | | | 3541 Stop Eight Road Dayton, Ohio 45414 |
| APPROVALS DRAWN <i>M.V.</i> CHECKED <i>M.V.</i> APPROVED <i>B.R.</i> | DATE 5/16 5/16 5/16 | | |