



Chipsmall Limited consists of a professional team with an average of over 10 year of expertise in the distribution of electronic components. Based in Hongkong, we have already established firm and mutual-benefit business relationships with customers from,Europe,America and south Asia,supplying obsolete and hard-to-find components to meet their specific needs.

With the principle of “Quality Parts,Customers Priority,Honest Operation,and Considerate Service”,our business mainly focus on the distribution of electronic components. Line cards we deal with include Microchip,ALPS,ROHM,Xilinx,Pulse,ON,Everlight and Freescale. Main products comprise IC,Modules,Potentiometer,IC Socket,Relay,Connector.Our parts cover such applications as commercial,industrial, and automotives areas.

We are looking forward to setting up business relationship with you and hope to provide you with the best service and solution. Let us make a better world for our industry!



## Contact us

Tel: +86-755-8981 8866 Fax: +86-755-8427 6832

Email & Skype: info@chipsmall.com Web: www.chipsmall.com

Address: A1208, Overseas Decoration Building, #122 Zhenhua RD., Futian, Shenzhen, China



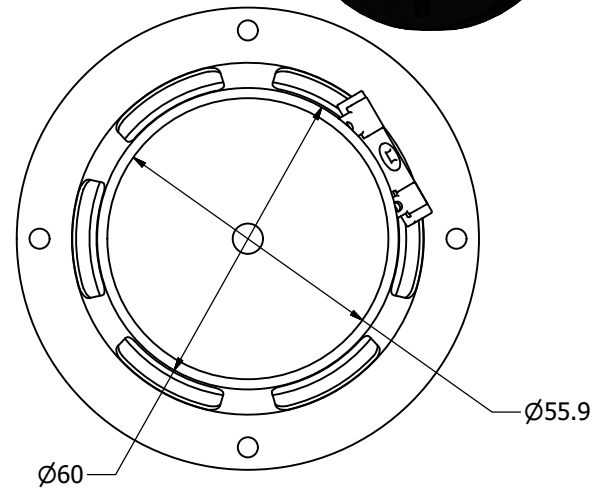
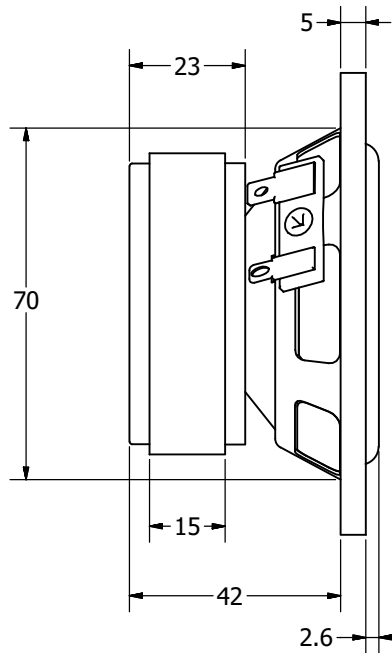
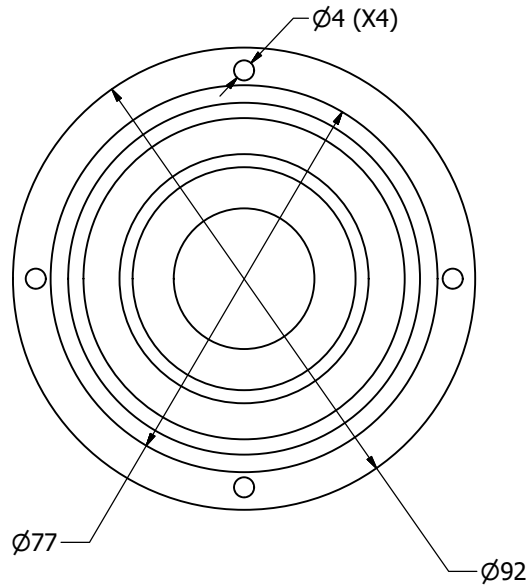
# SPECIFICATIONS

PARAMETERS	VALUES	UNITS
RATED INPUT POWER	10	W
MAX INPUT POWER	15	W
IMPEDANCE	8± 15%	OHM
OUTPUT SPL @ 2.83V/1M	82 ± 3	dBA
RESONANT FREQUENCY	90 ± 20%	Hz
FREQUENCY RANGE	90 ~ 15,000	Hz
FRAME MATERIAL	STAMPED STEEL	-
CONE MATERIAL	ALUMINUM	-
MAGNET MATERIAL	FERRITE	-
OPERATING TEMPERATURE	-20~ +60	°C
WEIGHT	360	grams

THIS DOCUMENT CONTAINS DATA PROPRIETARY TO PROJECTS UNLIMITED, INC. ANY USE OR REPRODUCTION, IN ANY FORM, WITHOUT PRIOR WRITTEN PERMISSION OF PROJECTS UNLIMITED, INC. IS PROHIBITED.  
©2003, Projects Unlimited Inc.

# REVISION HISTORY

LTR	DESCRIPTION	DATE	APPROVED
-	RELEASED FROM ENGINEERING	7/27/2016	



## NOTES:

1. ALL DIMENSIONS ARE IN MILLIMETERS.
2. SPECIFICATIONS SUBJECT TO CHANGE OR WITHDRAWAL WITHOUT NOTICE.
3. THIS PART IS RoHS 2011/65/EU COMPLIANT.

UNLESS OTHERWISE SPECIFIED: DIMENSIONS ARE IN MILLIMETERS, TOLERANCES ARE ±0.5 AND ANGLES ARE ±3°.	SIZE <b>A3</b>	Designed by	Date	Checked by	Date	Approved by	Date	Drawn Date	
		M.V.	7/27/2016	B.R.	7/27/2016	B.R.	7/27/2016	7/27/2016	
AS09208AR-R.idw					<b>AS09208AR-R</b> Speaker			Edition -	Sheet 1 / 1



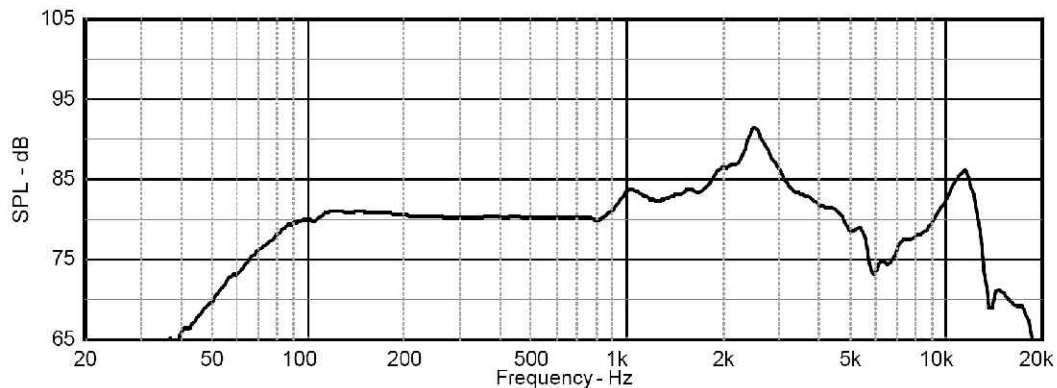
THIS DOCUMENT CONTAINS DATA PROPRIETARY TO PROJECTS UNLIMITED, INC. ANY USE OR REPRODUCTION, IN ANY FORM, WITHOUT PRIOR WRITTEN PERMISSION OF PROJECTS UNLIMITED, INC. IS PROHIBITED.  
© 2005, Projects Unlimited Inc.

### THIELE/SMALL PARAMETERS

PARAMETERS	VALUES
DC RESISTANCE (Re)	6.4 OHMS
INDUCTANCE (Le) @ 1kHz	0.66 mH
MAXIMUM IMPEDANCE (Zm)	32.9 OHMS
MECHANICAL Q FACTOR (Qms)	3.80
ELECTRICAL Q FACTOR (Qes)	0.92
TOTAL Q FACTOR (Qts)	0.74
EQUIVALENT AIR VOLUME (Vas)	1.0 LITER
VOICE COIL DIAMETER	20.4 mm
XMAX ((VOICE COIL HEIGHT - GAP)/2)	2.5 mm
XMECH (MAXIMUM EXCURSION BEFORE DAMAGE)	4 mm
RECOMMENDED SEALED ENCLOSURE VOLUME RANGE	0.25~4.5 LITERS
RECOMMENDED PORTED VOLUME AND TUNING FREQUENCY FOR FLAT RESPONSE AND LOWEST FREQUENCY EXTENSION	3L, 60 Hz (-3 dB) 52 Hz



REVISIONS			
LTR	DESCRIPTION	DATE	APPROVED
-	RELEASED FROM ENGINEERING	7/27/16	



- Designed for high fidelity full range response
- Purpose-built to work in a wide range of enclosures
- Reinforced mounting flange with integrated gasket
- Vented pole piece improves "chuffing", power compression, and voice coil cooling
- Carefully selected components for maximum reliability and weather resistance

<small>UNLESS OTHERWISE SPECIFIED: ALL PURCHASES ARE SUBJECT TO THE PUI AUDIO TERMS AND CONDITIONS SALE FOUND AT <a href="http://www.puiaudio.com/pdf/terms_conditions.pdf">http://www.puiaudio.com/pdf/terms_conditions.pdf</a> (paper copy available upon request). DIMENSIONS ARE IN MILLIMETERS.TOLERANCES ARE ±0.5 AND ANGLES ARE ±3°.</small>			3541 Stop Eight Road Dayton, Ohio 45414
APPROVALS DRAWN <i>M.V.</i> CHECKED <i>M.V.</i> APPROVED <i>B.R.</i>	DATE 7/16 7/16 7/16		