



Chipsmall Limited consists of a professional team with an average of over 10 year of expertise in the distribution of electronic components. Based in Hongkong, we have already established firm and mutual-benefit business relationships with customers from,Europe,America and south Asia,supplying obsolete and hard-to-find components to meet their specific needs.

With the principle of “Quality Parts,Customers Priority,Honest Operation,and Considerate Service”,our business mainly focus on the distribution of electronic components. Line cards we deal with include Microchip,ALPS,ROHM,Xilinx,Pulse,ON,Everlight and Freescale. Main products comprise IC,Modules,Potentiometer,IC Socket,Relay,Connector.Our parts cover such applications as commercial,industrial, and automotives areas.

We are looking forward to setting up business relationship with you and hope to provide you with the best service and solution. Let us make a better world for our industry!



## Contact us

Tel: +86-755-8981 8866 Fax: +86-755-8427 6832

Email & Skype: info@chipsmall.com Web: www.chipsmall.com

Address: A1208, Overseas Decoration Building, #122 Zhenhua RD., Futian, Shenzhen, China





**austriamicrosystems AG**

**is now**

**ams AG**

The technical content of this austriamicrosystems document is still valid.

**Contact information:**

**Headquarters:**

ams AG  
Tobelbaderstrasse 30  
8141 Unterpremstaetten, Austria  
Tel: +43 (0) 3136 500 0  
e-Mail: [ams\\_sales@ams.com](mailto:ams_sales@ams.com)

Please visit our website at [www.ams.com](http://www.ams.com)

# AS5115

## Programmable 360° Magnetic Angle Encoder with SINE & COSINE Output Signals

## AS5115 Adapterboard OPERATION MANUAL

### 1 General Description

The AS5115 is a contactless rotary encoder sensor for accurate angular measurement over a full turn of 360° and over an extended ambient temperature range of -40°C...+150°C.

Based on an integrated Hall element array, the angular position of a simple two-pole magnet is translated into analog output voltages. The angle information is provided by means of buffered sine and cosine voltages. This approach gives maximum flexibility in system design, as it can be directly

integrated into existing architectures and optimized for various applications in terms of speed and accuracy. An SSI Interface is implemented for signal path configurations, as well as a one time programmable register block (OTP), which allows the customer to adjust the signal path gain for different mechanical constraints and magnetic fields.

### 2 The AS5115 Adapter board

#### 2.1 Board description

The AS5115 adapter board is a simple circuit allowing test and evaluation the rotary encoder quickly without building a test fixture or PCB. The connections of JP1 are required for supplying, communicating and measuring. Connector JP2 provides access to PROG, CM\_COS and CM\_SIN. The common mode voltage at JP2 – 2 and JP – 3 provide the same level. Resistor R1 (100k) is used as Pull-up on CS pin and capacitor C1 (2.2uF) is placed between VDD and GND.

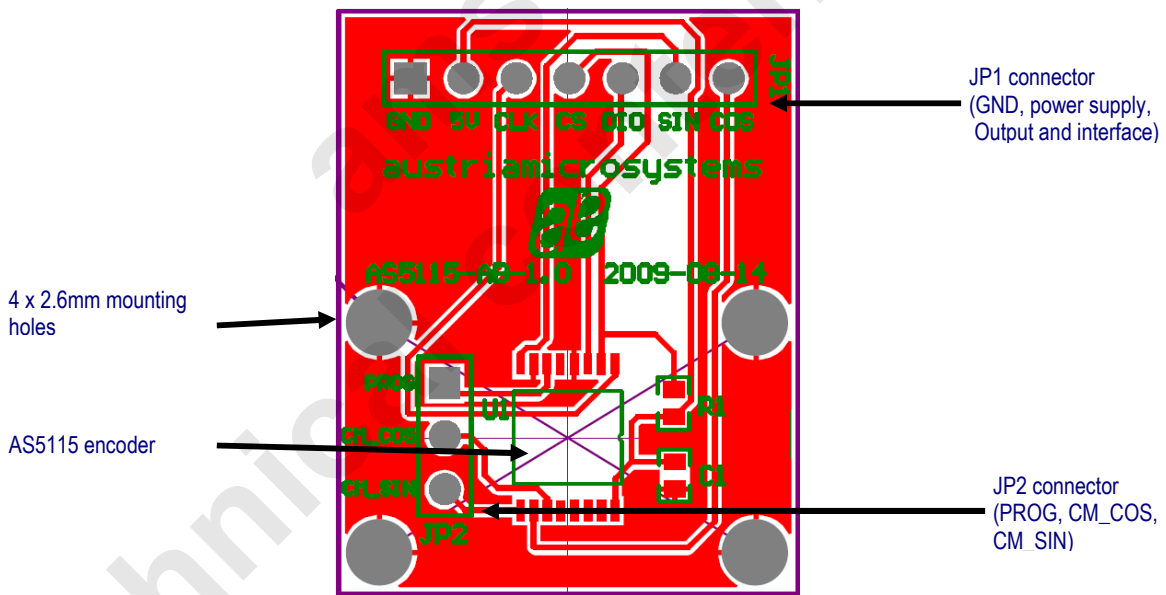


Figure 1: AS5115 Adapterboard

## 2.2 Mounting the AS5115 adapter board

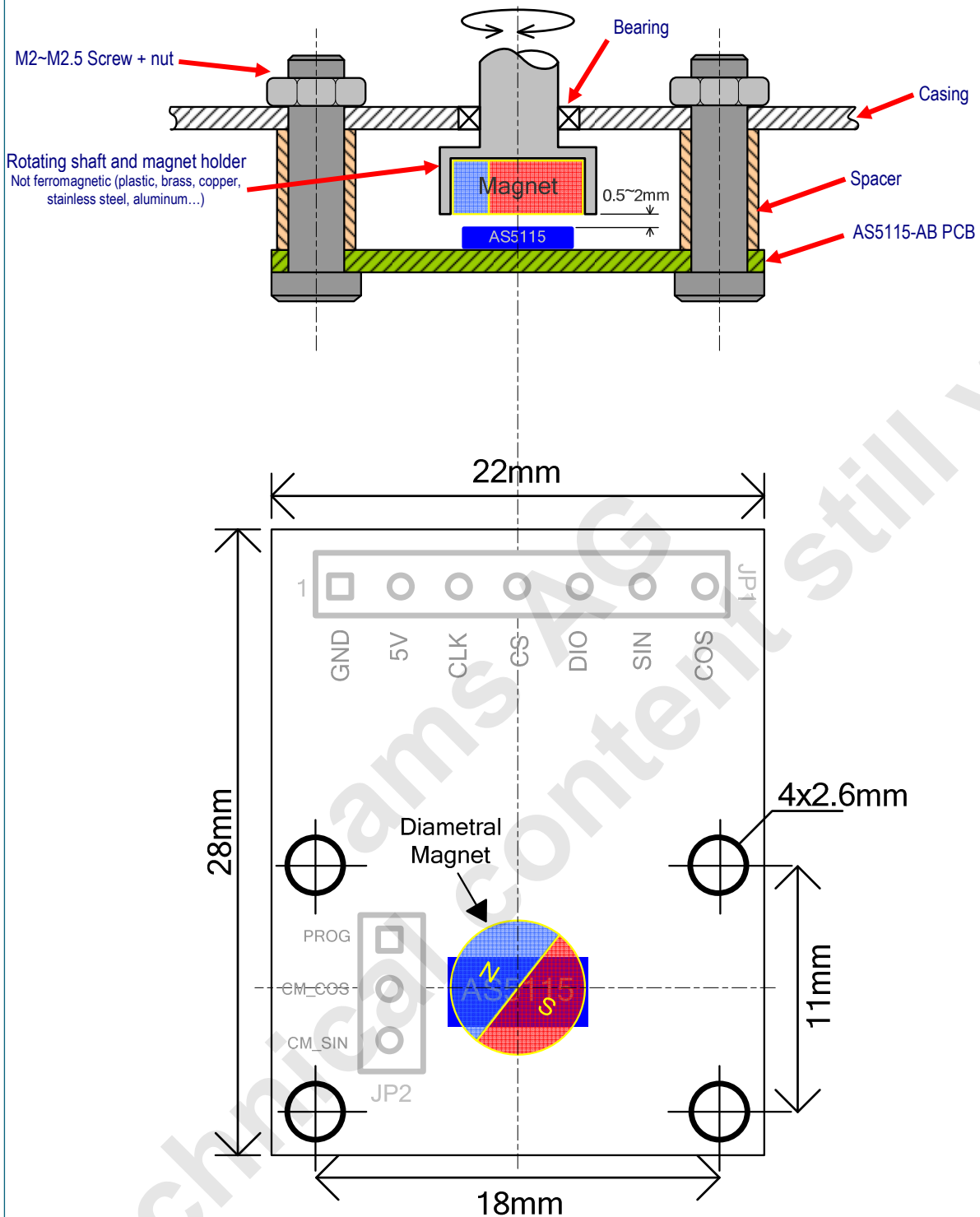


Figure 2: AS5115 adapter board mounting and dimension

A 6x2.5mm (standard magnet: AS5000-MD6H-2 from BOMATEC) diametric magnet must be placed over on under the AS5115 encoder, and should be centered on the middle of the package with a tolerance of 0.5mm.

The airgap between the magnet and the encoder casing should be maintained in the range 0.5mm~2mm.

The magnet holder must not be ferromagnetic. Materials as brass, copper, aluminum, stainless steel are the best choices to make this part.



### 3 AS5115 adapter board and pinout

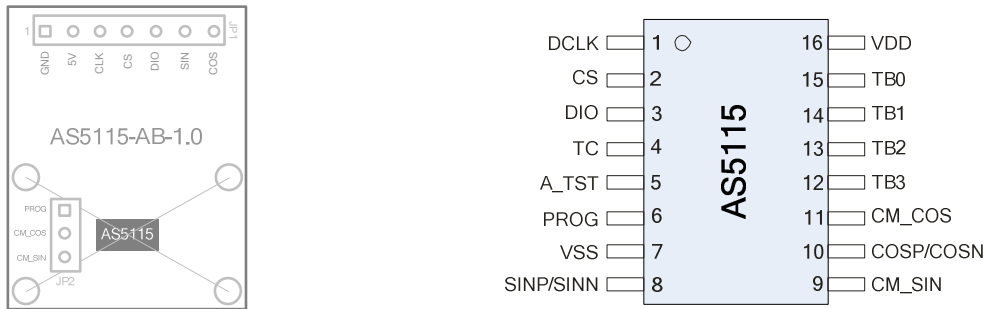


Figure 3: AS5115 adapter board connectors and encoder pinout

Pin# Board	Pin# AS5115	Symbol Board	Type	Description
JP1 - 1	7	GND	S	Supply ground
JP1 - 2	16	5V	S	Positive supply
JP1 - 3	1	CLK	DI	Clock input for digital interface
JP1 - 4	2	CS	DI	Chip select
JP1 - 5	3	DIO	DIO	Data I/O for digital interface
JP1 - 6	8	SIN	AO	Switchable buffered analog outputs
JP1 - 7	10	COS	AO	Switchable buffered analog outputs
JP2 - 1	6	PROG		OTP Programming Pad
JP2 - 2	11	CM_COS	AO	Switchable buffered analog or common mode output
JP2 - 3	9	CM_SIN	AO	Switchable buffered analog or common mode output

Table 1: Pin description

Pin types: DIO      digital input/output  
 DI            digital input  
 AO            analog output  
 S             supply pin

## 4 Operation case

### 4.1 Standalone Sine-Cosine Output

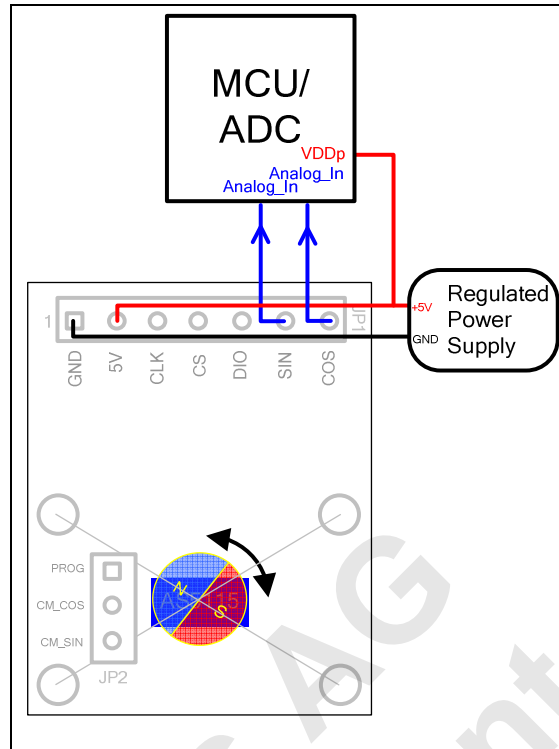


Figure 4: Operation cases with the adapter board

The AS5115 provides analog Sine and Cosine outputs (JP1 – 6 and JP1 – 7). These outputs allow the user to perform the angle calculation by an external ADC +  $\mu\text{C}$ , e.g. to compute the angle with a high resolution. The signal lines should be kept as short as possible, longer lines should be shielded in order to achieve best noise performance.

Through the programming of one bit, you have the possibility to choose between the analog Sine and Cosine outputs (SINP, COSP) and their inverted signals (SINN, COSN). Furthermore, by programming the bits <9:10> you can enable the common mode output signals of SIN and COS (JP2 – 2 and JP – 3). The DC bias voltage is 1.5 or 2.5 V.

For further information, please refer to datasheet.

## 4.2 Programming the AS5115

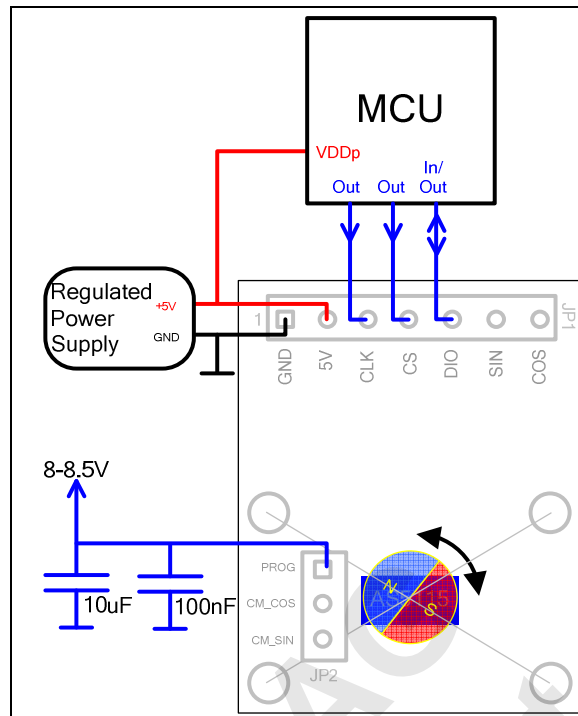


Figure 5: Programming with the adapter board

For programming of the OTP, an additional voltage has to be applied to the pin PROG. It has to be buffered by a fast 100nF capacitor (ceramic) and a 10µF capacitor (as close as possible to PROG pin).

Programming of the AS5115 OTP memory does not require a dedicated programming hardware. The programming can be simply accomplished over the serial 3-wire interface (see Figure 5). For permanent programming (command PROG OTP, #25), a constant DC voltage of 8.0 – 8.5V (=100mA) must be connected to PROG. For temporary OTP write (“soft write”; command WRITE OTP, #31), the programming voltage is not required.

For further information, please refer to datasheet.

## 5 AS5115 adapter board hardware

### 5.1 AS5115-AB-1.0 schematics

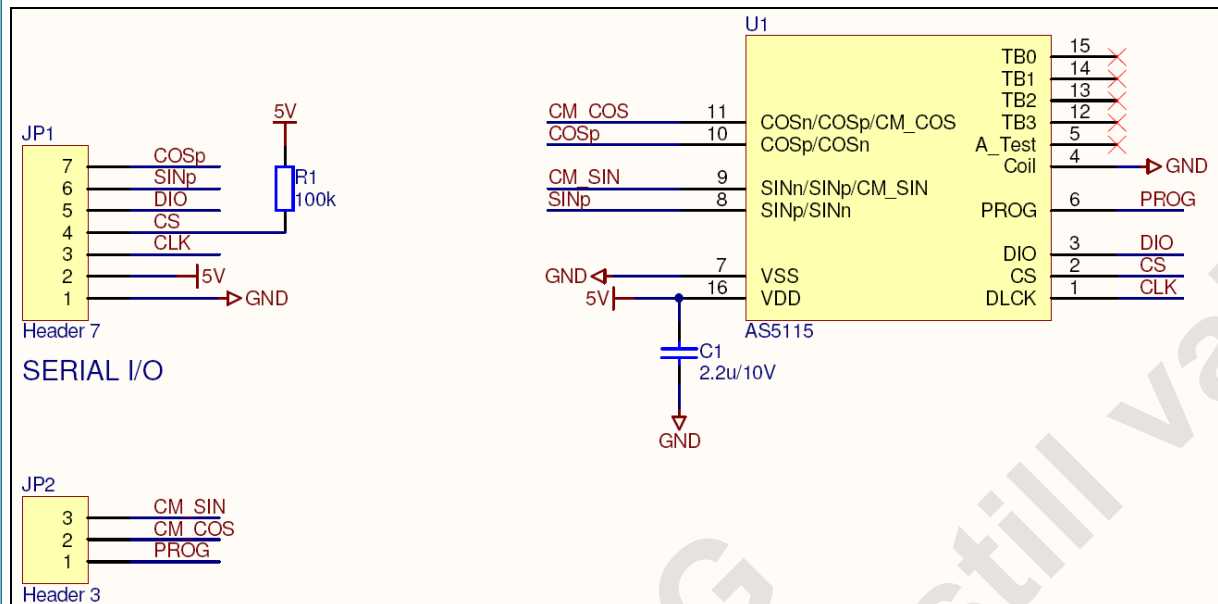


Figure 6: AS5115-AB-1.0 adapterboard schematics

### 5.2 AS5115-AB-1.0 PCB layout

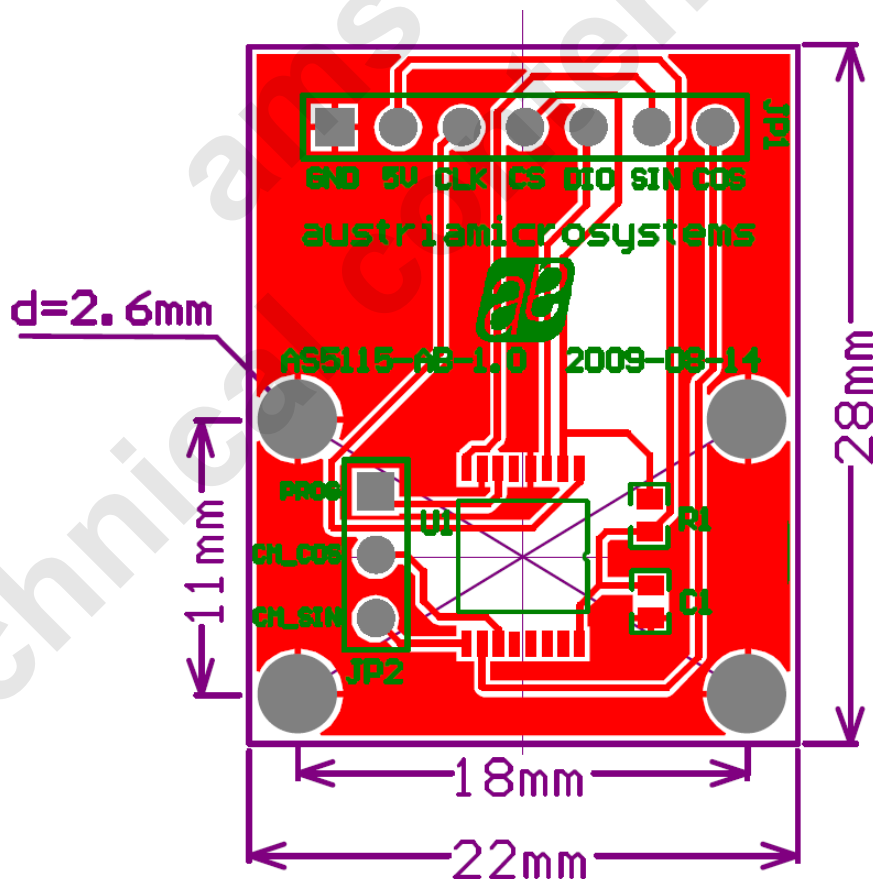


Figure 7: AS5115-AB-1.0 adapter board layout



## Revision History

Revision	Date	Description
1.0	05.March 2010	First release

## Copyrights

Copyright © 1997-2009, austriamicrosystems AG, Schloss Premstaetten, 8141 Unterpremstaetten, Austria-Europe. Trademarks Registered ®. All rights reserved. The material herein may not be reproduced, adapted, merged, translated, stored, or used without the prior written consent of the copyright owner. All products and companies mentioned are trademarks or registered trademarks of their respective companies.

## Disclaimer

Devices sold by austriamicrosystems AG are covered by the warranty and patent indemnification provisions appearing in its Term of Sale. austriamicrosystems AG makes no warranty, express, statutory, implied, or by description regarding the information set forth herein or regarding the freedom of the described devices from patent infringement. austriamicrosystems AG reserves the right to change specifications and prices at any time and without notice. Therefore, prior to designing this product into a system, it is necessary to check with austriamicrosystems AG for current information. This product is intended for use in normal commercial applications. Applications requiring extended temperature range, unusual environmental requirements, or high reliability applications, such as military, medical life-support or lifesustaining equipment are specifically not recommended without additional processing by austriamicrosystems AG for each application. The information furnished here by austriamicrosystems AG is believed to be correct and accurate. However, austriamicrosystems AG shall not be liable to recipient or any third party for any damages, including but not limited to personal injury, property damage, loss of profits, loss of use, interruption of business or indirect, special, incidental or consequential damages, of any kind, in connection with or arising out of the furnishing, performance or use of the technical data herein. No obligation or liability to recipient or any third party shall arise or flow out of austriamicrosystems AG rendering of technical or other services.

## Contact Information

### Headquarters

austriamicrosystems AG  
A-8141 Schloss Premstaetten, Austria  
Tel: +43 (0) 3136 500 0  
Fax: +43 (0) 3136 525 01

For Sales Offices, Distributors and Representatives, please visit:

<http://www.austriamicrosystems.com>