



Chipsmall Limited consists of a professional team with an average of over 10 year of expertise in the distribution of electronic components. Based in Hongkong, we have already established firm and mutual-benefit business relationships with customers from,Europe,America and south Asia,supplying obsolete and hard-to-find components to meet their specific needs.

With the principle of “Quality Parts,Customers Priority,Honest Operation,and Considerate Service”,our business mainly focus on the distribution of electronic components. Line cards we deal with include Microchip,ALPS,ROHM,Xilinx,Pulse,ON,Everlight and Freescale. Main products comprise IC,Modules,Potentiometer,IC Socket,Relay,Connector.Our parts cover such applications as commercial,industrial, and automotives areas.

We are looking forward to setting up business relationship with you and hope to provide you with the best service and solution. Let us make a better world for our industry!



Contact us

Tel: +86-755-8981 8866 Fax: +86-755-8427 6832

Email & Skype: info@chipsmall.com Web: www.chipsmall.com

Address: A1208, Overseas Decoration Building, #122 Zhenhua RD., Futian, Shenzhen, China



AS5163

12-Bit Automotive Angle Position Sensor

General Description

The AS5163 is a contactless magnetic angle position sensor for accurate angular measurement over a full turn of 360°. A sub range can be programmed to achieve the best resolution for the application. It is a system-on-chip, combining integrated Hall elements, analog front-end, digital signal processing and best in class automotive protection features in a single device.

To measure the angle, only a simple two-pole magnet, rotating over the center of the chip, is required. The magnet may be placed above or below the IC.

The absolute angle measurement provides instant indication of the magnet's angular position with a resolution of $0.022^\circ = 16384$ positions per revolution. According to this resolution the adjustment of the application specific mechanical positions are possible. The angular output data is available over a 12-bit PWM signal or 12-bit ratiometric analog output.

The AS5163 operates at a supply voltage of 5V and the supply and output pins are protected against overvoltage up to +27V. In addition, the supply pins are protected against reverse polarity up to -18V.

Ordering Information and Content Guide appear at end of datasheet.

Key Benefits & Features

The benefits and features of AS5163, 12-Bit Automotive Angle Position Sensor are listed below:

Figure 1:
Added Value of Using AS5163

Benefits	Features
<ul style="list-style-type: none"> • Great flexibility on angular excursion 	<ul style="list-style-type: none"> • 360° contactless high resolution angular position sensing
<ul style="list-style-type: none"> • Simple programming 	<ul style="list-style-type: none"> • User programmable start and end point of the application region • Saw tooth mode 1-4 slopes per revolution • Clamping levels • Transition point
<ul style="list-style-type: none"> • Additional linearization points for output characteristic 	<ul style="list-style-type: none"> • Output linearization
<ul style="list-style-type: none"> • Failure diagnostics 	<ul style="list-style-type: none"> • Broken GND and VDD detection for all external load cases

Benefits	Features
<ul style="list-style-type: none"> Selectable output signal 	<ul style="list-style-type: none"> Analog output ratiometric to VDD or PWM-encoded digital output
<ul style="list-style-type: none"> Ideal for applications in harsh environments due to contactless position sensing 	<ul style="list-style-type: none"> Wide temperature range: - 40°C to 150°C

Applications

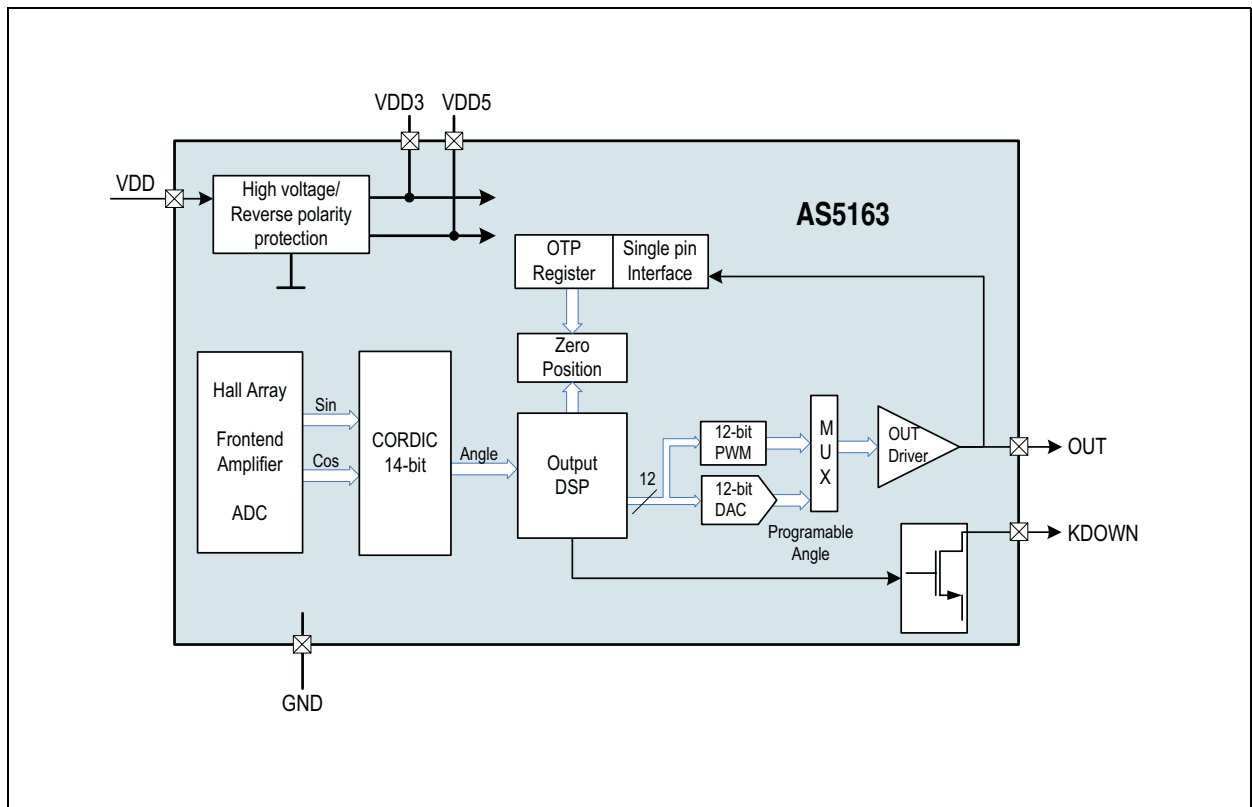
AS5163 is ideal for automotive applications like:

- Throttle and valve position sensing
- Gearbox position sensor
- Headlight position control
- Torque sensing
- Pedal position sensing
- Non-contact potentiometers

Block Diagram

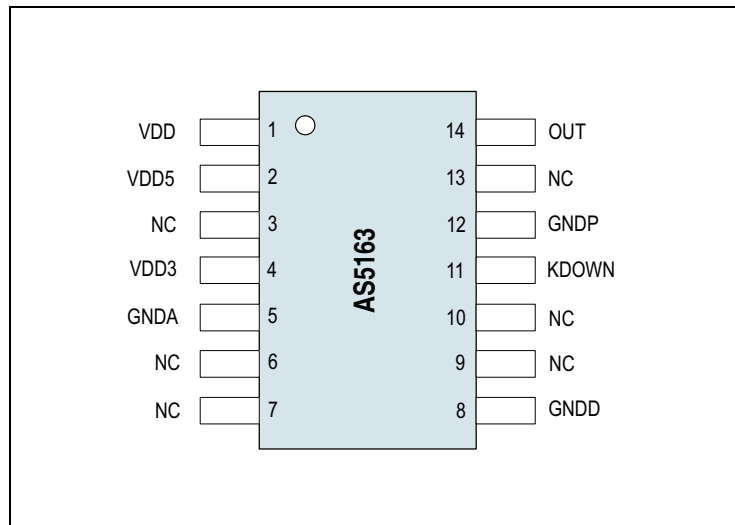
The functional blocks of this device are shown below:

Figure 2:
AS5163 Block Diagram



Pin Assignment

Figure 3:
Pin Diagram (Top View)



Pin Description

Figure 4 provides the description of each pin of the standard TSSOP14 package (14-Lead Thin Shrink Small Outline Package) (see Figure 3).

Figure 4:
Pin Descriptions

Pin Number	Pin Name	Pin Type	Description
1	VDD	Supply pin	Positive supply pin. This pin is high voltage protected.
2	VDD5	Supply pin	4.5V- Regulator output, internally regulated from VDD. This pin needs an external ceramic capacitor of minimum 2.2 μ F.
3	NC	DIO/AIO multi purpose pin	Test pin for fabrication. Connected to ground in the application board.
4	VDD3	Supply pin	3.45V- Regulator output, internally regulated from VDD5. This pin needs an external ceramic capacitor of minimum 2.2 μ F.
5	GNDA	Supply pin	Analog ground pin. Connected to ground in the application board.

Pin Number	Pin Name	Pin Type	Description
6	NC	DIO/AIO multi purpose pin	Test pin for fabrication. Connected to ground in the application board.
7	NC	DIO/AIO multi purpose pin	Test pin for fabrication. Open in the application.
8	GNDD	Supply pin	Digital ground pin. Connected to ground in the application board.
9	NC	DIO/AIO multi purpose pin	Test pins for fabrication. Connected to ground in the application board.
10	NC	DIO/AIO multi purpose pin	
11	KDOWN	Digital output open drain	Additional output pin with kick down functionality. This pin can be used for a compare function including a hysteresis. An open drain configuration is used. If the internal angle is above a programmable threshold, then the output is switched to low. Below the threshold the output is high using a pull-up resistor.
12	GNDP	Supply pin	Analog ground pin. Connected to ground in the application board.
13	NC	DIO/AIO multi purpose pin	Test pin for fabrication. Connected to ground in the application board.
14	OUT	DIO/AIO multi purpose pin	Output pin. This pin is used for the analog output or digital PWM signal. In addition, this pin is used for programming of the device.

Absolute Maximum Ratings

Stresses beyond those listed in [Absolute Maximum Ratings](#) may cause permanent damage to the device. These are stress ratings only. Functional operation of the device at these or any other conditions beyond those indicated in [Electrical Characteristics](#) is not implied. Exposure to absolute maximum rating conditions for extended periods may affect device reliability.

Figure 5:
Absolute Maximum Ratings

Symbol	Parameter	Min	Max	Units	Comments
Electrical Parameters					
V _{DD}	DC supply voltage at pin VDD Overvoltage	-18	27	V	No operation
V _{OUT}	Output voltage OUT	-0.3	27	V	Permanent
V _{KDOWN}	Output voltage KDOWN	-0.3	27	V	
VDD3	DC supply voltage at pin VDD3	-0.3	5	V	
VDD5	DC supply voltage at pin VDD5	-0.3	7	V	
I _{scr}	Input current (latchup immunity)	-100	100	mA	JEDEC 78
Electrostatic Discharge					
ESD	Electrostatic discharge	±4		kV	MIL 883 E method 3015 This value is applicable to pins VDD, GND, OUT, and KDOWN. All other pins ±2 kV.
Temperature Ranges and Storage Conditions					
T _{Strg}	Storage temperature	-55	150	°C	Min -67°F; Max 257°F
T _{Body}	Body temperature (lead-free package)		260	°C	t=20s to 40s, The reflow peak soldering temperature (body temperature) specified is in accordance with <i>IPC/JEDEC J-STD-020 "Moisture/Reflow Sensitivity Classification for Non-Hermetic Solid State Surface Mount Devices"</i> . The lead finish for Pb-free leaded packages is matte tin (100% Sn).
RH _{NC}	Relative humidity non-condensing	5	85	%	
MSL	Moisture sensitivity level	3			Represents a maximum floor life time of 168h

Electrical Characteristics

Operating Conditions

In this specification, all the defined tolerances for external components need to be assured over the whole operation conditions range and also over lifetime.

$T_{AMB} = -40^{\circ}\text{C}$ to 150°C , $VDD = +4.5\text{V}$ to $+5.5\text{V}$, $CLREG5 = 2.2\mu\text{F}$, $CLREG3 = 2.2\mu\text{F}$, $R_{PU} = 1\text{K}\Omega$, $R_{PD} = 1\text{K}\Omega$ to $5.6\text{K}\Omega$, (Analog only), $C_{LOAD} = 0\text{nF}$ to 42nF , $R_{PUKDWN} = 1\text{K}\Omega$ to $5.6\text{K}\Omega$, $C_{LOAD_KDWN} = 0\text{nF}$ to 42nF , unless otherwise specified. A positive current is intended to flow into the pin.

Figure 6:
Operating Conditions

Symbol	Parameter	Condition	Min	Typ	Max	Units
T_{AMB}	Ambient temperature	-40°F to 302°F	-40		150	$^{\circ}\text{C}$
I_{supp}	Supply current	Lowest magnetic input field			20	mA

Magnetic Input Specification

$T_{AMB} = -40^{\circ}\text{C}$ to 150°C , $VDD = 4.5\text{V}$ to 5.5V (5V operation), unless otherwise noted.

Two-Pole Cylindrical Diametrically Magnetized Source

Figure 7:
Magnetic Input Specification

Symbol	Parameter	Condition	Min	Typ	Max	Units
B_{pk}	Magnetic input field amplitude	Required vertical component of the magnetic field strength on the die's surface, measured along a concentric circle with a radius of 1.1mm	30		70	mT
B_{off}	Magnetic offset	Constant magnetic stray field			± 10	mT
	Field non-linearity	Including offset gradient			5	%

Electrical System Specifications

$T_{AMB} = -40^{\circ}\text{C}$ to 150°C , $VDD = 4.5\text{V}$ to 5.5V (5V operation),
[Magnetic Input Specification](#), unless otherwise noted.

Figure 8:
Electrical System Specifications

Symbol	Parameter	Conditions	Min	Typ	Max	Units
RES	Resolution Analog and PWM Output	Angular operating range $\geq 90^{\circ}\text{C}$			12	bit
INL_{opt}	Integral non-linearity (optimum) 360 degree full turn	Maximum error with respect to the best line fit. Centered magnet without calibration, $T_{AMB}=25^{\circ}\text{C}$			± 0.5	deg
INL_{temp}	Integral non-linearity (optimum) 360 degree full turn	Maximum error with respect to the best line fit. Centered magnet without calibration, $T_{AMB} = -40^{\circ}\text{C}$ to 150°C			± 0.9	deg
INL	Integral non-linearity 360 degree full turn	Best line fit = $(Err_{max} - Err_{min}) / 2$ Over displacement tolerance with 6mm diameter magnet, without calibration, $T_{AMB} = -40^{\circ}\text{C}$ to 150°C . ⁽¹⁾		± 1.4		deg
TN	Transition noise	1 sigma; ⁽²⁾		0.06		deg RMS
$VDD5_{LowTH}$	Undervoltage lower threshold	$VDD5 = 5\text{V}$	3.1	3.4	3.7	V
$VDD5_{HighTH}$	Undervoltage higher threshold		3.6	3.9	4.2	
t_{PwrUp}	Power-up time	Fast mode, times 2 in slow mode			10	ms
t_{delay}	System propagation delay absolute output: delay of ADC, DSP and absolute interface	Fast mode, times 2 in slow mode			100	μs

Note(s):

1. This parameter is a system parameter and is dependant on the selected magnet.
2. The noise performance is dependent on the programming of the output characteristic.
3. The INL performance is specified over the full turn of 360 degrees. An operation in an angle segment increases the accuracy. A two point linearization is recommended to achieve the best INL performance for the chosen angle segment.

Timing Characteristics

Figure 9:
Timing Conditions

Symbol	Parameter	Conditions	Min	Typ	Max	Units
FRCOT	Internal Master Clock		4.05	4.5	4.95	MHz
TCLK	Interface Clock Time	$TCLK = 1 / FRCOT$	202	222.2	247	ns
TDETWD	WatchDog error detection time				12	ms

Detailed Description

The AS5163 is manufactured in a CMOS process and uses a spinning current Hall technology for sensing the magnetic field distribution across the surface of the chip.

The integrated Hall elements are placed around the center of the device and deliver a voltage representation of the magnetic field at the surface of the IC.

Through Sigma-Delta Analog / Digital Conversion and Digital Signal-Processing (DSP) algorithms, the AS5163 provides accurate high-resolution absolute angular position information. For this purpose, a Coordinate Rotation Digital Computer (CORDIC) calculates the angle and the magnitude of the Hall array signals.

The DSP is also used to provide digital information at the outputs that indicate movements of the used magnet towards or away from the device's surface.

A small low cost diametrically magnetized (two-pole) standard magnet provides the angular position information.

The AS5163 senses the orientation of the magnetic field and calculates a 14-bit binary code. This code is mapped to a programmable output characteristic. The type of output is programmable and can be selected as PWM or analog output. This signal is available at the pin 14 (**OUT**).

The analog and PWM output can be configured in many ways. The application angular region can be programmed in a user friendly way. The start angle position **T1** and the end point **T2** can be set and programmed according to the mechanical range of the application with a resolution of 14 bits. In addition, the **T1Y** and **T2Y** parameter can be set and programmed according to the application. The transition point 0 to 360 degree can be shifted using the break point parameter **BP**. This point is programmable with a high resolution of 14 bits of 360 degrees. The voltage for clamping level low **CLL** and clamping level high **CLH** can be programmed with a resolution of 7 bits. Both levels are individually adjustable.

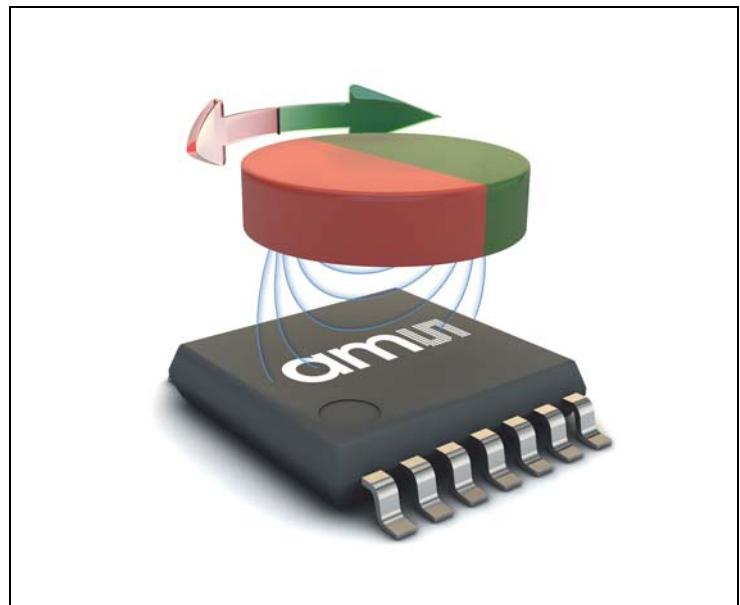
These parameters are also used to adjust the PWM duty cycle.

The AS5163 also provides a compare function. The internal angular code is compared to a programmable level using hysteresis. The function is available over the output pin 11 (**KDOWN**).

The output parameters can be programmed in an OTP register. No additional voltage is required to program the AS5163. The setting may be overwritten at any time and will be reset to default when power is cycled. To make the setting permanent, the OTP register must be programmed by using a lock bit. Else, the content could be frozen for ever.

The AS5163 is tolerant to magnet misalignment and unwanted external magnetic fields due to differential measurement technique and Hall sensor conditioning circuitry.

Figure 10:
Typical Arrangement of AS5163 and Magnet

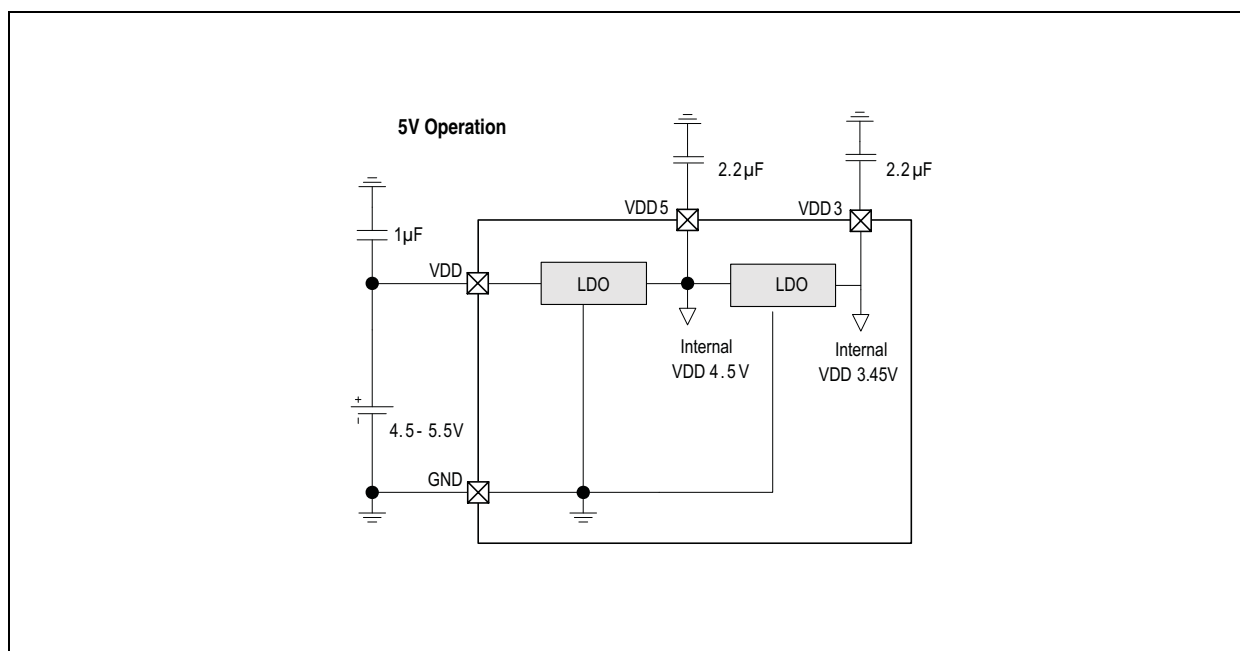


Operation

The AS5163 operates at $5V \pm 10\%$, using two internal Low-Dropout (LDO) voltage regulators. For operation, the 5V supply is connected to pin **VDD**. While **VDD3** and **VDD5** (LDO outputs) must be buffered by $2.2\mu F$ capacitors, the VDD requires a $1\mu F$ capacitor. All capacitors (low ESR ceramic) are supposed to be placed close to the supply pins (see Figure 11).

The VDD3 and VDD5 outputs are intended for internal use only. It must not be loaded with an external load.

Figure 11:
Connections for 5V Supply Voltages



Note(s):

1. The pins VDD3 and VDD5 must always be buffered by a capacitor. These pins must not be left floating, as this may cause unstable internal supply voltages, which may lead to larger output jitter of the measured angle
2. Only VDD is overvoltage protected up to 27V. In addition, the VDD has a reverse polarity protection.

VDD Voltage Monitor

VDD Overvoltage Management

If the voltage applied to the VDD pin exceeds the overvoltage upper threshold for longer than the detection time, then the device enters a low power mode reducing the power consumption. When the overvoltage event has passed and the voltage applied to the VDD pin falls below the overvoltage lower threshold for longer than the recovery time, then the device enters the normal mode.

VDD5 Undervoltage Management

When the voltage applied to the VDD5 pin falls below the undervoltage lower threshold for longer than the VDD5_ detection time, then the device stops the clock of the digital part and the output drivers are turned OFF to reduce the power consumption. When the voltage applied to the VDD5 pin exceeds the VDD5 undervoltage upper threshold for longer than the VDD5_recovery time, then the clock is restarted and the output drivers are turned ON.

Analog Output

The reference voltage for the Digital-to-Analog converter (DAC) is taken internally from VDD. In this mode, the output voltage is ratiometric to the supply voltage.

Programming Parameters

The Analog output voltage modes are programmable by OTP. Depending on the application, the analog output can be adjusted. The user can program the following application specific parameters.

**Figure 12:
Programming Parameters**

T1	Mechanical angle start point
T2	Mechanical angle end point
T1Y	Voltage level at the T1 position
T2Y	Voltage level at the T2 position
CLL	Clamping Level Low
CLH	Clamping Level High
BP	Break point (transition point 0 to 360 degree)

The above listed parameters are input parameters. Over the provided programming software and programmer, these parameters are converted and finally written into the AS5163 128-bit OTP memory.

Application Specific Angular Range Programming

The application range can be selected by programming **T1** with a related **T1Y** and **T2** with a related **T2Y** into the AS5163. The internal gain factor is calculated automatically. The clamping levels **CLL** and **CLH** can be programmed independently from the **T1** and **T2** position and both levels can be separately adjusted.

Figure 13:
Programming of an Individual Application Range

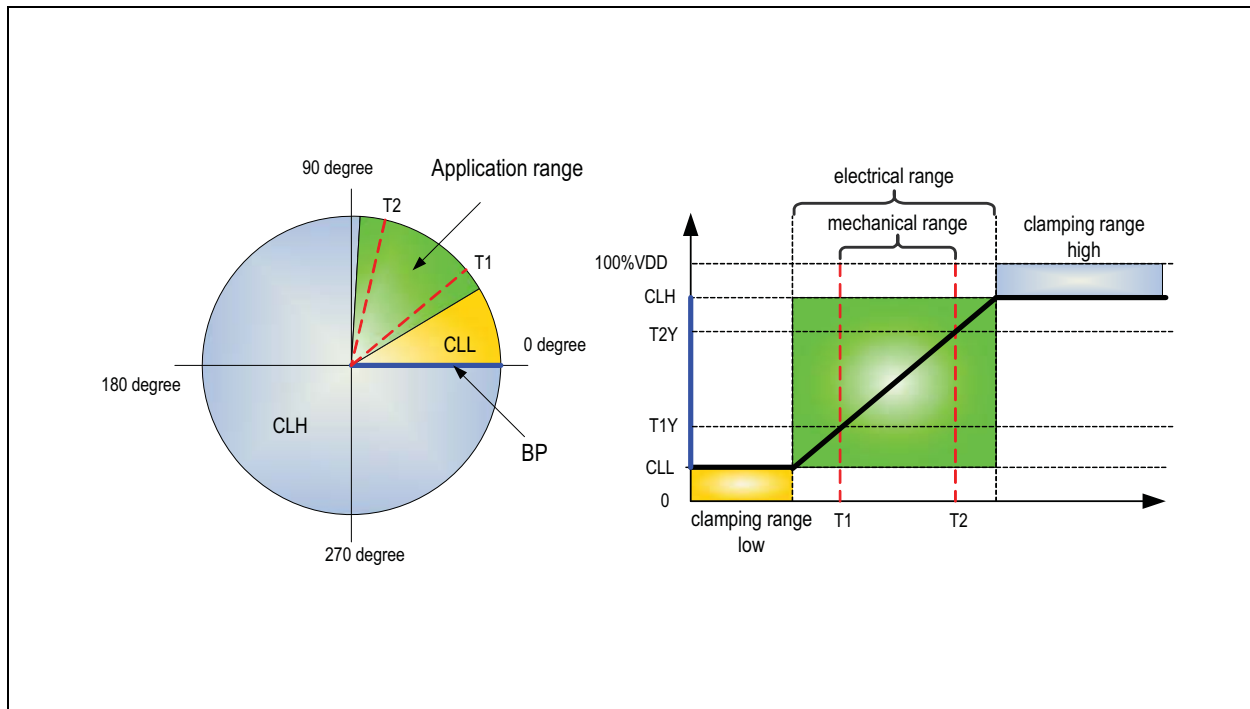
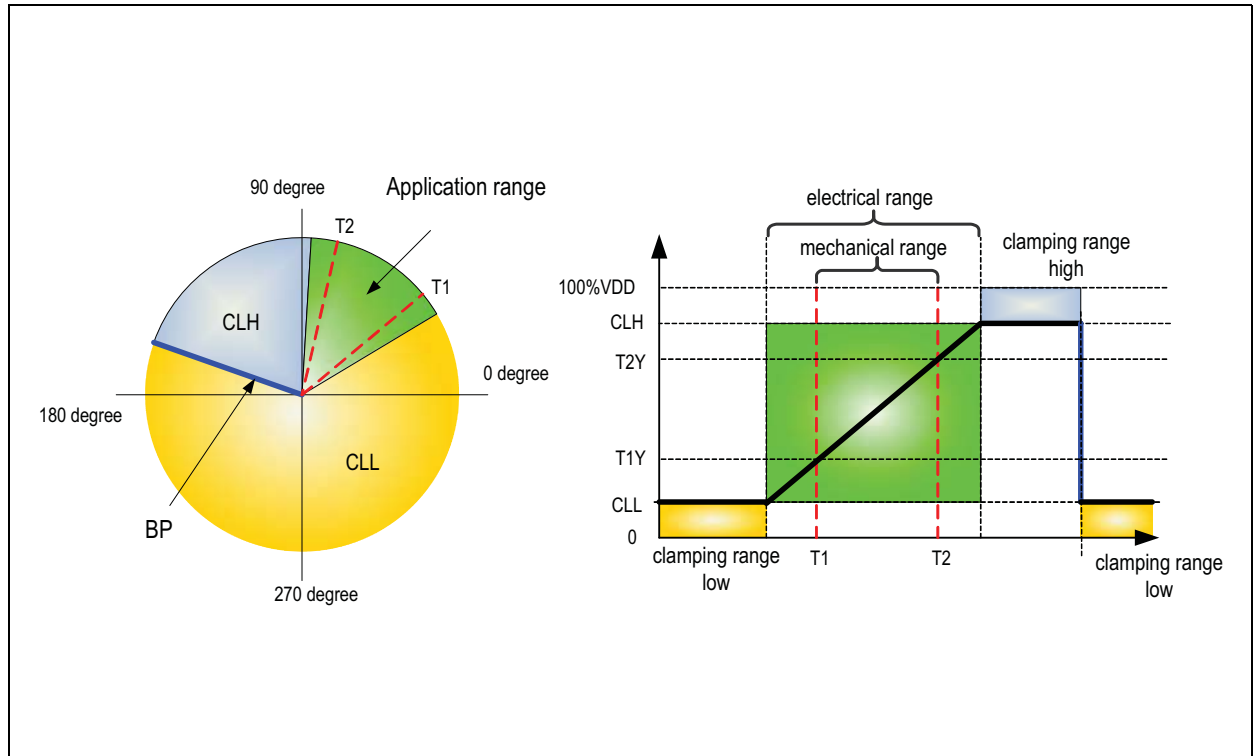


Figure 13 shows a simple example of the selection of the range. The mechanical starting point **T1** and the mechanical end point **T2** define the mechanical range. A sub range of the internal CORDIC output range is used and mapped to the needed output characteristic. The analog output signal has 12 bit, hence the level **T1Y** and **T2Y** can be adjusted with this resolution. As a result of this level and the calculated slope the clamping region low is defined. The break point **BP** defines the transition between **CLL** and **CLH**. In this example, the **BP** is set to 0 degree. The **BP** is also the end point of the clamping level high **CLH**. This range is defined by the level **CLH** and the calculated slope. Both clamping levels can be set independently from each other. The minimum application range is 10 degrees.

Application Specific Programming of the Break Point

The break point **BP** can be programmed as well with a resolution of 14 bits. This is important when the default transition point is inside the application range. In such a case, the default transition point must be shifted out of the application range. The parameter **BP** defines the new position. The function can be used also for an ON-OFF indication.

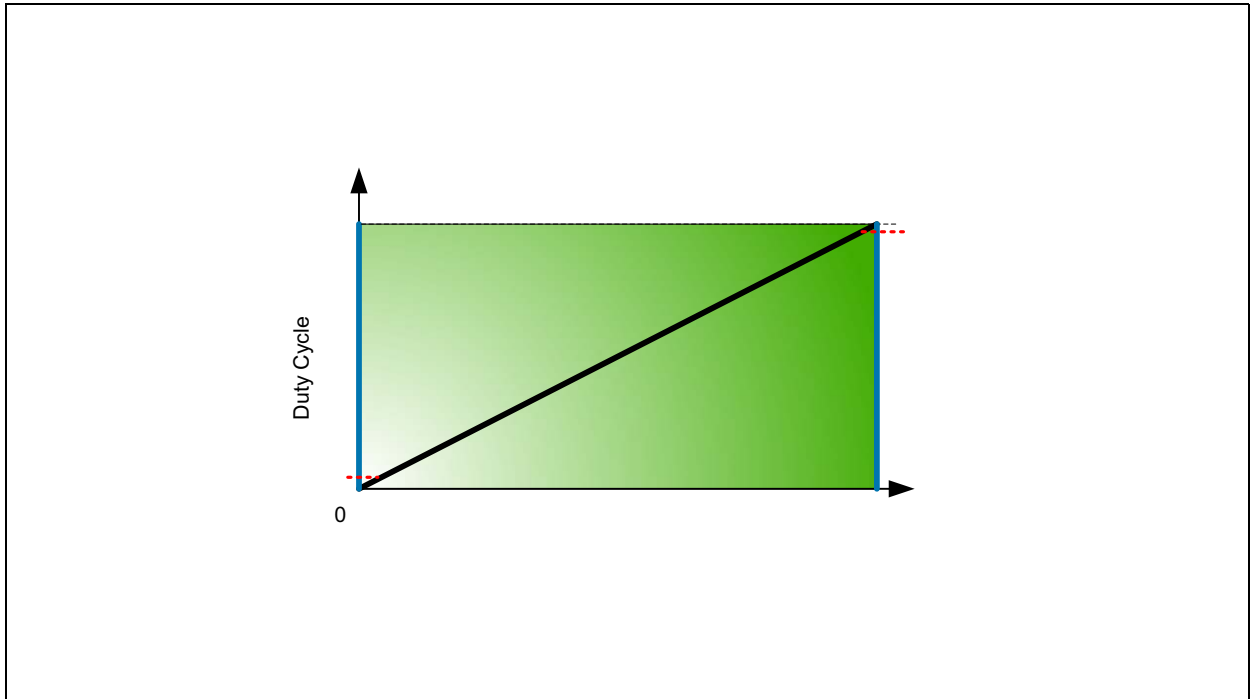
Figure 14:
Individual Programming of the Break Point BP



Full Scale Mode

The AS5163 can be programmed as well in the full scale mode. The BP parameter defines the position of the transition.

Figure 15:
Full Scale Mode



For simplification, [Figure 15](#) describes a linear output voltage from rail to rail (0V to VDD) over the complete rotation range. In practice, this is not feasible due to saturation effects of the output stage transistors. The actual curve will be rounded towards the supply rails (as indicated [Figure 15](#)).

Resolution of the Parameters

The programming parameters have a wide resolution of up to 14 bits.

Figure 16:
Resolution of the Programming Parameters

Symbol	Parameter	Resolution	Note
T1	Mechanical angle start point	14 bits	
T2	Mechanical angle stop point	14 bits	
T1Y	Mechanical start voltage level	12 bits	
T2Y	Mechanical stop voltage level	12 bits	
CLL	Clamping level low	7 bits	4096 LSBs is the maximum level
CLH	Clamping level high	7 bits	31 LSBs is the minimum level
BP	Break point	14 bits	

Figure 17:
Overview of the Angular Output Voltage

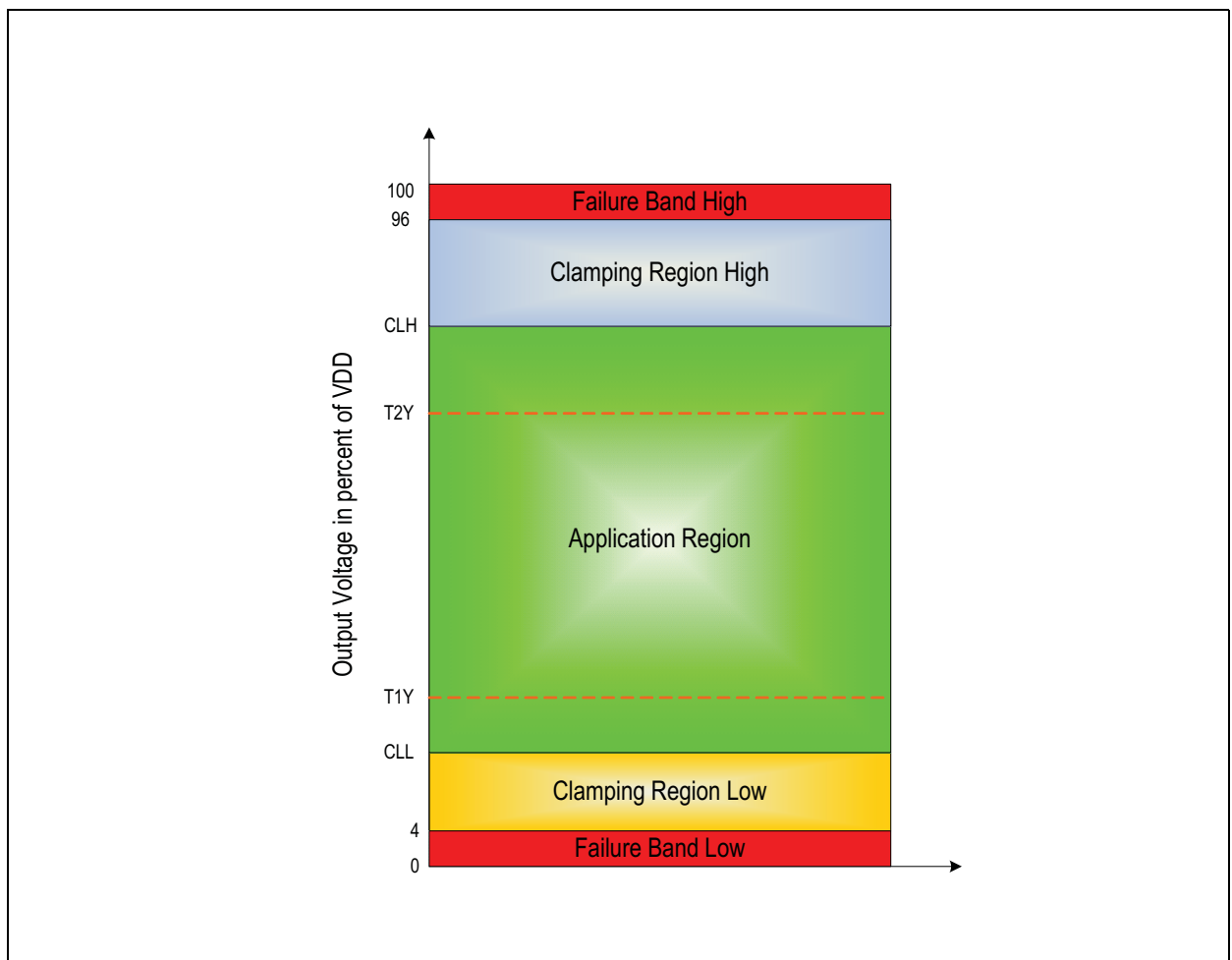


Figure 17 gives an overview of the different ranges. The failure bands are used to indicate a wrong operation of the AS5163. This can be caused due to a broken supply line. By using the specified load resistors, the output level will remain in these bands during a fail. It is recommended to set the clamping level CLL above the lower failure band and the clamping level CLH below the higher failure band.

Analog Output Diagnostic Mode

Due to the low pin count in the application, a wrong operation must be indicated by the output pin **OUT**. This could be realized using the failure bands. The failure band is defined with a fixed level. The failure band low is specified from 0% to 4% of the supply range. The failure band high is defined from 100% to 96%. Several failures can happen during operation. The output signal remains in these bands over the specified operating and load conditions. All the different failures can be grouped into the internal alarms (failures) and the application related failures.

$$C_{LOAD} \leq 42nF, R_{PU} = 2k\Omega \text{ to } 5.6k\Omega$$

$$R_{PD} = 2k\Omega \text{ to } 5.6k\Omega \text{ load pull-up}$$

Figure 18:
Different Failure Cases of AS5163

Type	Failure Mode	Symbol	Failure Band	Note
Internal alarms (failures)	Out of magnetic range (too less or too high magnetic input)	MAGRng	High/Low	Could be switched OFF by one OTP bit ALARM_DISABLE . Programmable by OTP bit DIAG_HIGH
	CORDIC overflow	COF	High/Low	Programmable by OTP bit DIAG_HIGH
	Offset compensation finished	OCF	High/Low	Programmable by OTP bit DIAG_HIGH
	Watchdog fail	WDF	High/Low	Programmable by OTP bit DIAG_HIGH
	Oscillator fail	OF	High/Low	Programmable by OTP bit DIAG_HIGH
Application related failures	Overtoltage condition	OV	High/Low	Dependant on the load resistor Pull up->failure band high Pull down->failure band low
	Broken VDD	BVDD		
	Broken VSS	BVSS		
	Short circuit output	SCO	High/Low	Switch OFF-> short circuit dependent

For efficient use of diagnostics, it is recommended to program to clamping levels **CLL** and **CLH**.

Analog Output Driver Parameters

The output stage is configured in a push-pull output. Therefore it is possible to sink and source currents.

$$C_{LOAD} \leq 42\text{nF}, R_{PU} = 2\text{k}\Omega \text{ to } 5.6\text{k}\Omega$$

$$R_{PD} = 2\text{k}\Omega \text{ to } 5.6\text{k}\Omega \text{ load pull-up}$$

Figure 19:
General Parameters for the Output Driver

Symbol	Parameter	Min	Typ	Max	Units	Note
IOUTSCL	Short circuit output current (low side driver)	8		32	mA	$V_{OUT}=27V$
IOUTSCH	Short circuit output current (high side driver)	-8		-32	mA	$V_{OUT}=0V$
TSCDET	Short circuit detection time	20		600	μs	output stage turned OFF
TSCREC	Short circuit recovery time	2		20	ms	output stage turned ON
ILEAKOUT	Output leakage current	-20		20	μA	$V_{OUT}=VDD=5V$
BGNDDPU	Output voltage broken GND with pull-up	96		100	%VDD	$R_{PU} = 2\text{k to } 5.6\text{k}$
BGNDDPD	Output voltage broken GND with pull-down	0		4	%VDD	$R_{PD} = 2\text{k to } 5.6\text{k}$
BVDDPU	Output voltage broken VDD with pull-up	96		100	%VDD	$R_{PU} = 2\text{k to } 5.6\text{k}$
BVDDPD	Output voltage broken VDD with pull-down	0		4	%VDD	$R_{PD} = 2\text{k to } 5.6\text{k}$

Note(s):

1. A Pull-Up/Down load is up to 1k Ω with increased diagnostic bands from 0%-6% and 94%-100%.

Figure 20:
Electrical Parameters for the Analog Output Stage

Symbol	Parameter	Min	Typ	Max	Units	Note
VOUT	Output voltage range	4		96	%VDD	Valid when $1k \leq R_{LOAD} < 2k$
		6		94		
VOUTINL	Output integral nonlinearity			10	LSB	
VOUTDNL	Output differential nonlinearity	-10		10	LSB	
VOUTOFF	Output offset	-50		50	mV	At 2048 LSB level
VOUTUD	Update rate of the output		100		μ s	Info parameter
VOUTSTEP	Output step response			550	μ s	Between 10% and 90%, $R_{PU}/R_{PD} = 1k\Omega$, $C_{LOAD} = 1nF$; $VDD = 5V$
VOUTDRIFT	Output voltage temperature drift	2		2	%	Of value at mid code
VOURATE	Output ratiometricity error	-1.5		1.5	%VDD	$0.04 * VDD \leq VOUT \leq 0.96 * VDD$
VOUTNOISE	Noise ⁽¹⁾			10	mVpp	1Hz to 30kHz; at 2048 LSB level

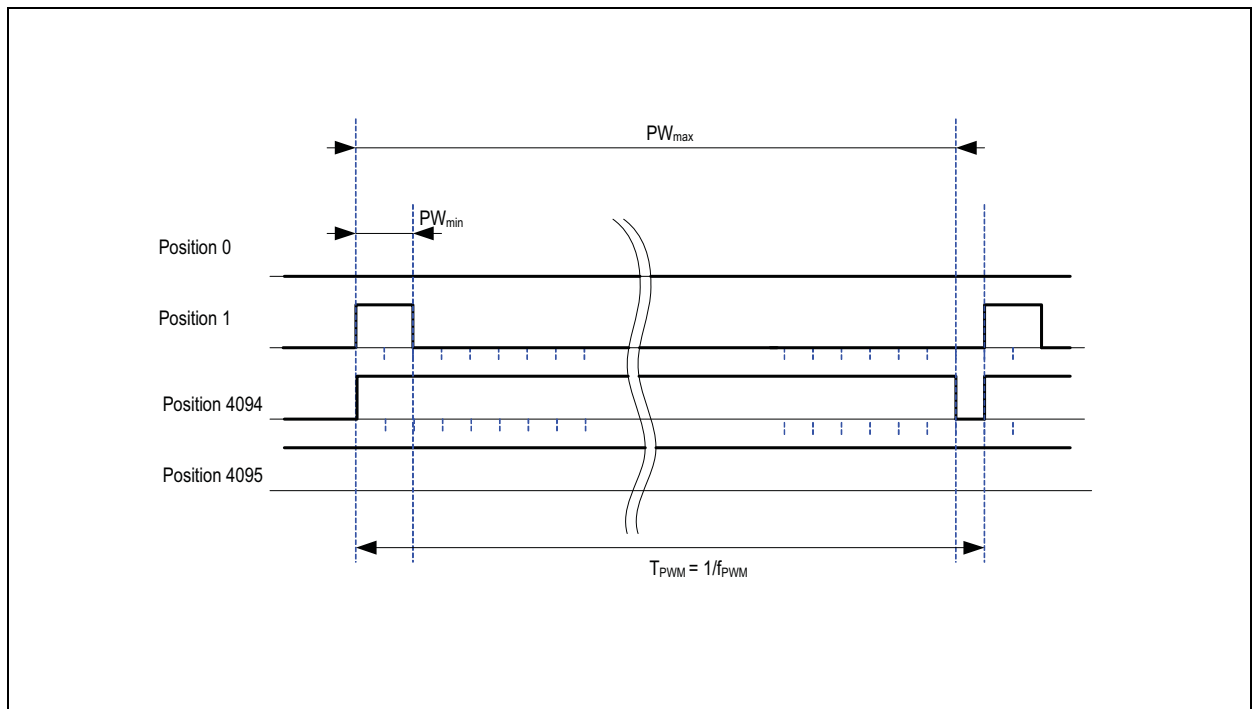
Note(s):

1. Not tested in production; characterization only.

Pulse Width Modulation (PWM) Output

The AS5163 provides a pulse width modulated output (PWM), whose duty cycle is proportional to the measured angle. This output format is selectable over the OTP memory **OP_MODE(0)** bit. If output pin **OUT** is configured as open drain configuration, then an external load resistor (pull up) is required. The PWM frequency is internally trimmed to an accuracy of $\pm 10\%$ over full temperature range. This tolerance can be cancelled by measuring the ratio between the ON and OFF state. In addition, the programmed clamping levels **CLL** and **CLH** will also adjust the PWM signal characteristic.

Figure 21:
PWM Output Signal



The PWM frequency can be programmed by the OTP bits **PWM_frequency (1:0)**. Therefore, four different frequencies are possible.

Figure 22:
PWM Signal Parameters

Symbol	Parameter	Min	Typ	Max	Units	Note
f_{PWM1}	PWM frequency1	123.60	137.33	151.06	Hz	PWM_frequency (1:0) = "11"
f_{PWM2}	PWM frequency2	247.19	274.66	302.13	Hz	PWM_frequency (1:0) = "10"
f_{PWM3}	PWM frequency3	494.39	549.32	604.25	Hz	PWM_frequency (1:0) = "01"
f_{PWM4}	PWM frequency4	988.77	1098.63	1208.50	Hz	PWM_frequency (1:0) = "00"
PW_{MIN}	MIN pulse width		$(1+1)*1 / f_{PWM}$		μs	
PW_{MAX}	MAX pulse width		$(1+4094)*1 / f_{PWM}$		ms	

Taking into consideration the AC characteristic of the PWM output including load, it is recommended to use the clamping function. The recommended range is 0% to 4% and 96% to 100%.

Figure 23:
Electrical Parameters for the PWM Output Mode

Symbol	Parameter	Min	Typ	Max	Units	Note
PWMVOL	Output voltage low	0		0.4	V	$I_{OUT}=8mA$
ILEAK	Output leakage	-20		20	μA	$V_{OUT}=V_{DD}=5V$
PWMDC	PWM duty cycle range	4		96	%	
PWMSRF	PWM slew rate	1	2	4	V/ μs	Between 75% and 25% $R_{PU}/R_{PD} = 1k\Omega$, $C_{LOAD} = 1nF$, $V_{DD} = 5V$

Kick Down Function

The AS5163 provides a special compare function. This function is implemented using a programmable angle value with a programmable hysteresis. It will be indicated over the open drain output pin **KDOWN**. If the actual angle is above the programmable value plus the hysteresis, the output is switched to low. The output will remain at low level until the value KD is reached in the reverse direction.

Figure 24:
Kick Down Hysteresis Implementation

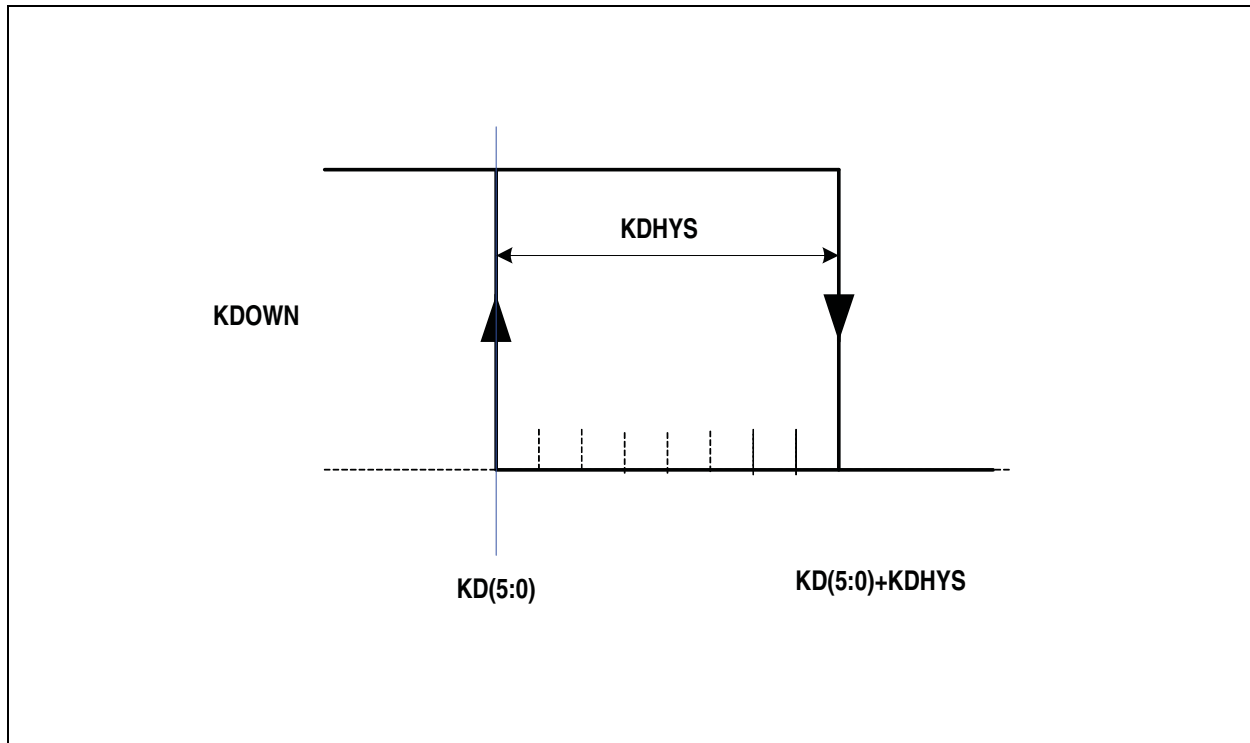


Figure 25:
Programming Parameters for the Kick Down Function

Symbol	Parameter	Resolution	Note
KD	Kick Down Angle	6 bits	
KDHYS	Kick Down Hysteresis	2 bits	KDHYS (1:0) = "00" -> 8 LSB hysteresis KDHYS (1:0) = "01" -> 16 LSB hysteresis KDHYS (1:0) = "10" -> 32 LSB hysteresis KDHYS (1:0) = "11" -> 64 LSB hysteresis

Pull-up resistance 1k to 5.6K to VDD

 C_{LOAD} max 42nF

Figure 26:
Electrical Parameters of the KDOWN Output

Symbol	Parameter	Min	Typ	Max	Unit	Note
IKDSC	Short circuit output current (Low Side Driver)	6		24	mA	$V_{KDOWN} = 27V$
TSCDET	Short circuit detection time	20		600	μs	Output stage turned OFF
TSCREC	Short circuit recovery time	2		20	ms	Output stage turned ON
KDVOL	Output voltage low	0		1.1	V	$I_{KDOWN} = 6mA$
KDILEAK	Output leakage	-20		20	μA	$V_{KDOWN} = 5V$
KDSRF	KDOWN slew rate (falling edge)	1	2	4	$V/\mu s$	Between 75% and 25%, $R_{PUKDOWN} = 1k\Omega$, $C_{LOAD_KDOWN} = 1nF, VDD = 5V$

Application Information

The benefits of AS5163 are as follows:

- Unique fully differential patented solution
- Best protection for automotive applications
- Easy to program
- Flexible interface selection PWM, analog output
- Ideal for applications in harsh environments due to contactless position sensing
- Robust system, tolerant to magnet misalignment, airgap variations, temperature variations and external magnetic fields
- No calibration required because of inherent accuracy
- High driving capability of analog output (including diagnostics)

Programming the AS5163

The AS5163 programming is a one-time-programming (OTP) method, based on polysilicon fuses. The advantage of this method is that no additional programming voltage is needed. The internal LDO provides the current for programming.

The OTP consists of 128 bits, wherein several bits are available for user programming. In addition, factory settings are stored in the OTP memory. Both regions are independently lockable by built-in lock bits.

A single OTP cell can be programmed only once. By default, each cell is "0"; a programmed cell will contain a "1". While it is not possible to reset a programmed bit from "1" to "0", multiple OTP writes are possible, as long as only unprogrammed "0"-bits are programmed to "1".

Independent of the OTP programming, it is possible to overwrite the OTP register temporarily with an OTP write command. This is possible only if the user lock bit is not programmed.

Due to the programming over the output pin, the device will initially start in the communication mode. In this mode, the digital angle value can be read with a specific protocol format. It is a bidirectional communication possible. Parameters can be written into the device. A programming of the device is triggered by a specific command. With another command (pass2funcion), the device can be switched into operation mode (analog or PWM output). In case of a programmed user lock bit, the AS5163 automatically starts up in the functional operation mode. No communication of the specific protocol is possible after this.

Hardware Setup

The pin OUT and the supply connection are required for OTP memory access. Without the programmed **Mem_Lock_USER** OTP bit, the device will start up in the communication mode and will remain into an IDLE operation mode. The pull up resistor $R_{\text{Communication}}$ is required during startup. [Figure 2](#) shows the configuration of an AS5163.

Figure 27:
Programming Schematic of the AS5163

