



Chipsmall Limited consists of a professional team with an average of over 10 year of expertise in the distribution of electronic components. Based in Hongkong, we have already established firm and mutual-benefit business relationships with customers from,Europe,America and south Asia,supplying obsolete and hard-to-find components to meet their specific needs.

With the principle of “Quality Parts,Customers Priority,Honest Operation,and Considerate Service”,our business mainly focus on the distribution of electronic components. Line cards we deal with include Microchip,ALPS,ROHM,Xilinx,Pulse,ON,Everlight and Freescale. Main products comprise IC,Modules,Potentiometer,IC Socket,Relay,Connector.Our parts cover such applications as commercial,industrial, and automotives areas.

We are looking forward to setting up business relationship with you and hope to provide you with the best service and solution. Let us make a better world for our industry!



Contact us

Tel: +86-755-8981 8866 Fax: +86-755-8427 6832

Email & Skype: info@chipsmall.com Web: www.chipsmall.com

Address: A1208, Overseas Decoration Building, #122 Zhenhua RD., Futian, Shenzhen, China





Eval Kit Manual

AS5215

Adapter Board

AS5215-AB

Table of Contents

1	Introduction	3
1.1	Kit Content	3
2	Board description	4
2.1	Mounting the AS5215 adapter board	5
3	AS5215 adapter board and pinout	6
4	Operation case	7
4.1	Standalone sine-cosine output.....	7
4.2	Programming of the AS5215.....	8
5	AS5215-AB Hardware.....	9
5.1	AS5215-AB schematics	9
5.2	AS5215-AB PCB layout	10
6	Ordering & Contact Information	11
7	Copyrights & Disclaimer.....	12

Revision History

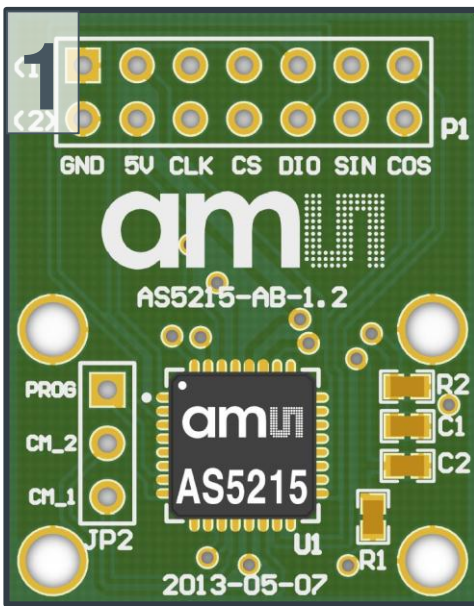
Revision	Date	Owner	Description
1.0	25.08.2009		Initial version
1.1	02.09.2009		Inserted adapter board photos
1.2	09.12.2009		Insert note
1.3	08.05.2013	mzie	Updated to new corporate design
1.4	10.12.2014	mzie	Updated all figures, updated to new template

1 Introduction

The AS5215 adapter board is a small PCB allowing simple and quick testing or evaluation of the AS5215 magnetic position sensor without the need to build a test fixture or design an own PCB.

1.1 Kit Content

Figure 1: Kit content



Pos.	Item	Comment
1	AS5215-AB	Adapter board

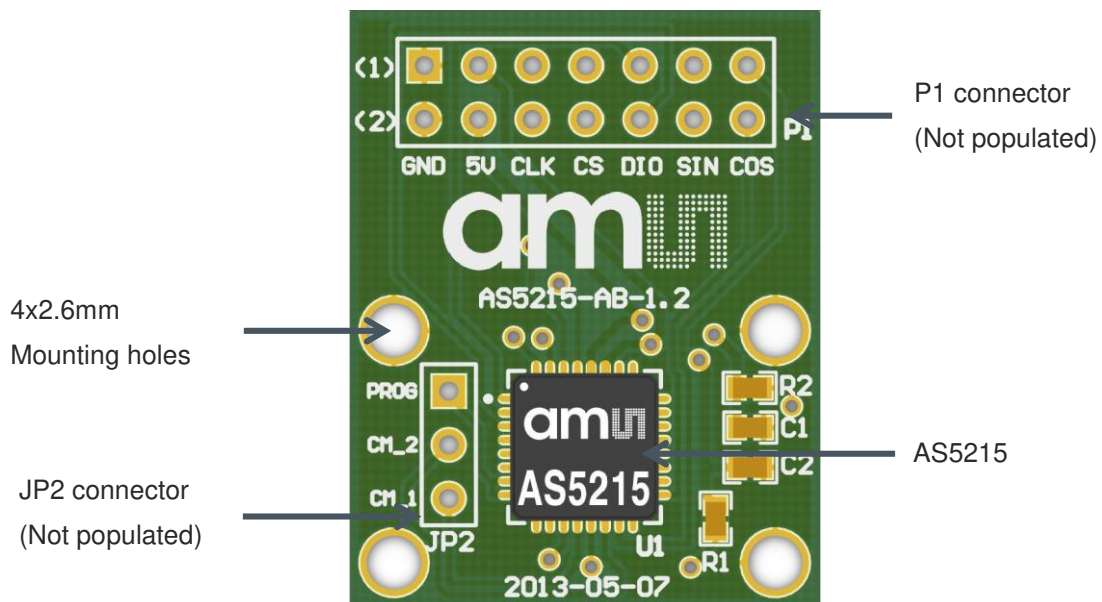
2 Board description

P1 has to be populated with a 2x7 pin header and is required for power supply as well as programming and signal output.

The connector JP2 provides access to PROG, CM_SIN1 and CM_SIN2.

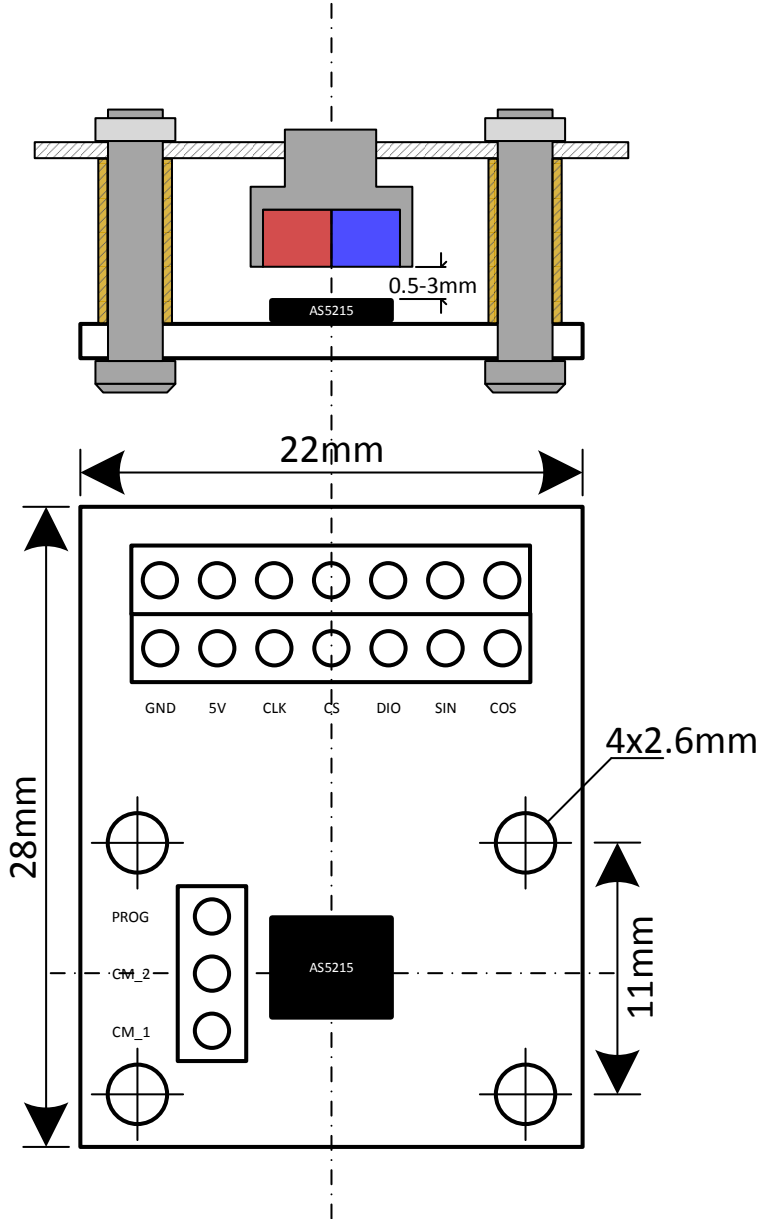
Resistors R1, R2 (100k) are used as Pull-up on CS pin and capacitors C1, C2 (2.2uF) are placed between VDD and GND.

Figure 2: AS5215 adapter board



2.1 Mounting the AS5215 adapter board

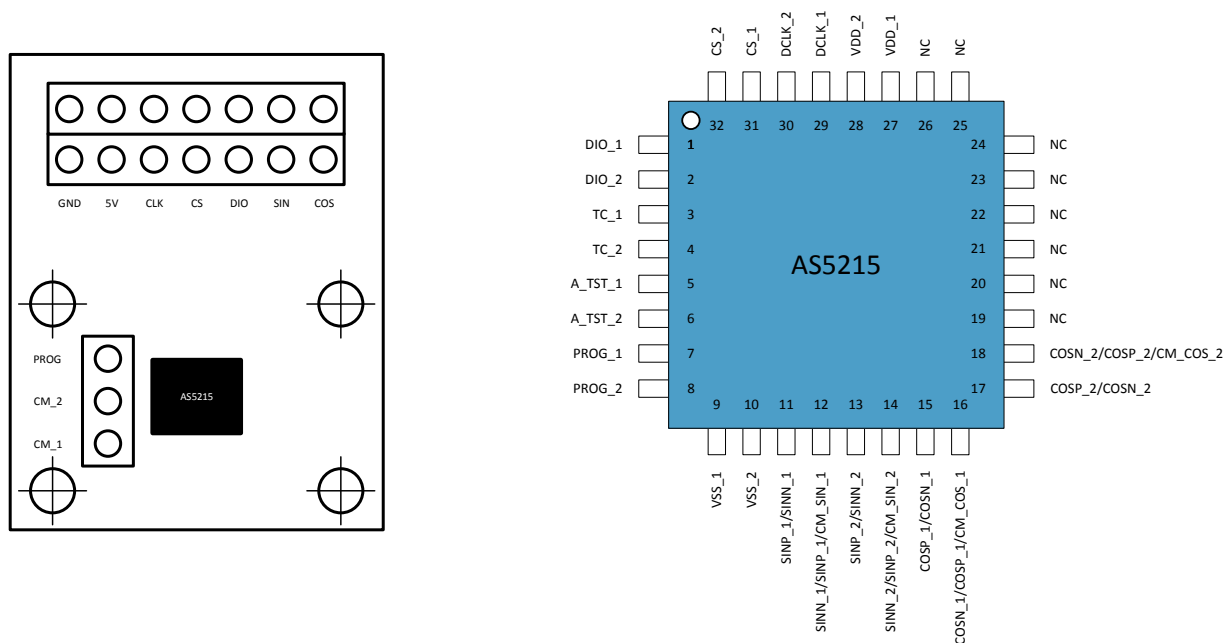
Figure 3: Mounting and dimensions



A 6x2.5mm diametric magnet must be placed over or under the AS5215 sensor, and should be centered on the middle of the package with a tolerance of 0.5mm. The airgap between the magnet surface and the package should be maintained in the range 0.5mm to 3mm. The magnet holder must not be ferromagnetic. Materials as brass, copper, aluminum, stainless steel are the best choices to make this part.

3 AS5215 adapter board and pinout

Figure 4: AS5215 adapter board and sensor pinout



Pin# Board	Pin# AS5215	Symbol board	Type	Description
P1 - 1	9, 10	GND	Power supply	Ground (Die 1)
P1 - 2	9, 10	GND	Power supply	Ground (Die 2)
P1 - 3	27, 28	5V	Power supply	Positive supply voltage (Die 1)
P1 - 4	27, 28	5V	Power supply	Positive supply voltage (Die 2)
P1 - 5	29	CLK	Digital input	Clock for digital interface (Die 1)
P1 - 6	30	CLK	Digital input	Clock for digital interface (Die 2)
P1 - 7	31	CS	Digital input	Chip select for digital interface (Die 1)
P2 - 8	32	CS	Digital input	Chip select for digital interface (Die 2)
P2 - 9	1	DIO	Digital input	Data I/O for digital interface (Die 1)
P2 - 10	2	DIO	Digital input	Data I/O for digital interface (Die 2)
P2 - 11	11	SIN	Analog output	Switchable buffered analog outputs (Die 1)
P2 - 12	13	SIN	Analog output	Switchable buffered analog outputs (Die 2)
P2 - 13	15	COS	Analog output	Switchable buffered analog outputs (Die 1)
P2 - 14	17	COS	Analog output	Switchable buffered analog outputs (Die 2)
JP2 - 1	7, 8	PROG	Power supply	OTP programming pad
JP2 - 2	14	CM_2	Analog output	Switchable buffered analog outputs (Die 1)
JP2 - 3	12	CM_1	Analog output	Switchable buffered analog outputs (Die 2)

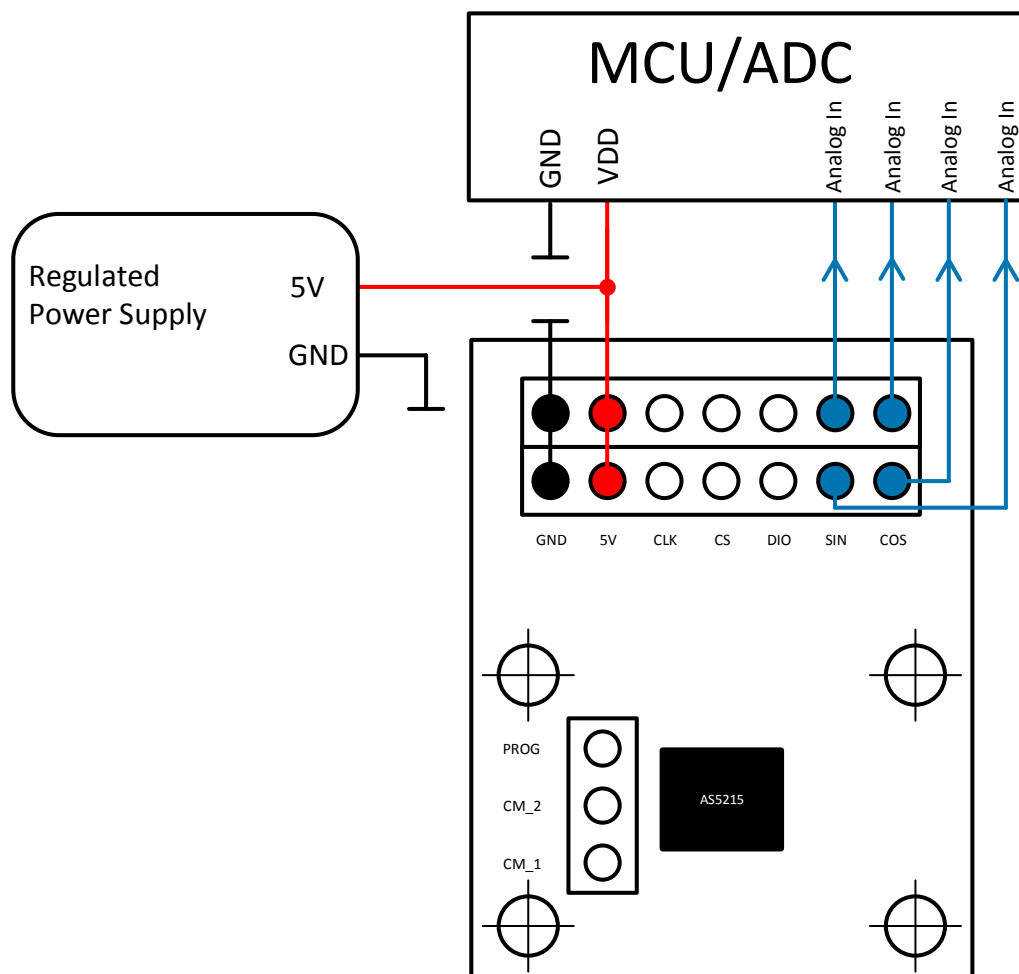
4 Operation case

4.1 Standalone sine-cosine output

The AS5215 provides analog Sine and Cosine outputs (P1 – 11, P1 – 13 and P1 – 12, P1 - 14). These outputs allow the user to perform the angle calculation by an external ADC + μC , e.g. to compute the angle with a high resolution. The signal lines should be as short as possible, longer lines should be shielded in order to achieve best noise performance. Through the programming of one bit, you have the possibility to choose between the analog Sine and Cosine outputs (SINP, COSP) and their inverted signals (SINN, COSN). Furthermore, by programming the bits <9:10> you can enable the common mode output signals of SIN and COS (JP2 – 2 and JP – 3). The DC bias voltage is 1.5 or 2.5 V.

For further information, please refer to datasheet.

Figure 5: Standalone sine-cosine output

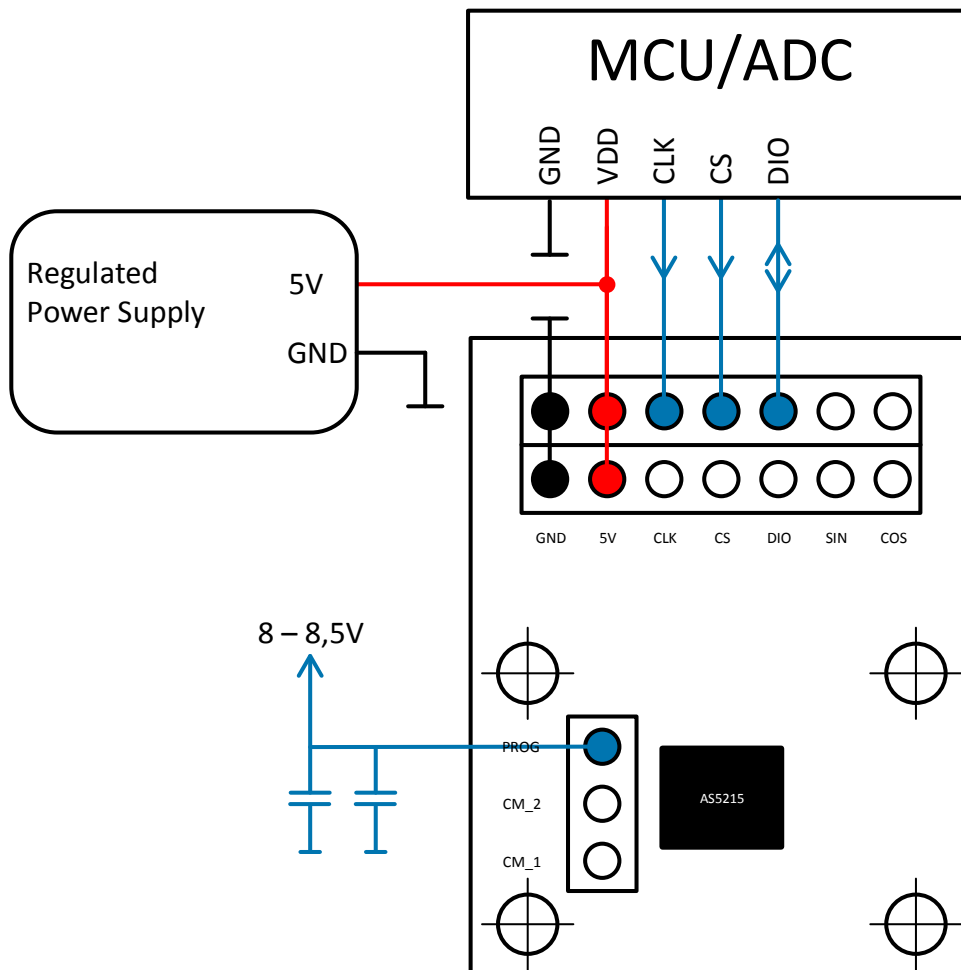


4.2 Programming of the AS5215

For programming of the OTP, an additional voltage has to be applied to the pin PROG. It has to be buffered by a fast 100nF capacitor (ceramic) and a 10 μ F capacitor (as close as possible to PROG pin). Programming of the AS5215 OTP memory does not require a dedicated programming hardware. The programming can be simply accomplished over the serial 3-wire interface. For permanent programming (command PROG OTP, #25), a constant DC voltage of 8.0 – 8.5V (=100mA) must be connected to PROG. For temporary OTP write (“soft write”; command WRITE OTP, #31), the programming voltage is not required.

For further information, please refer to datasheet.

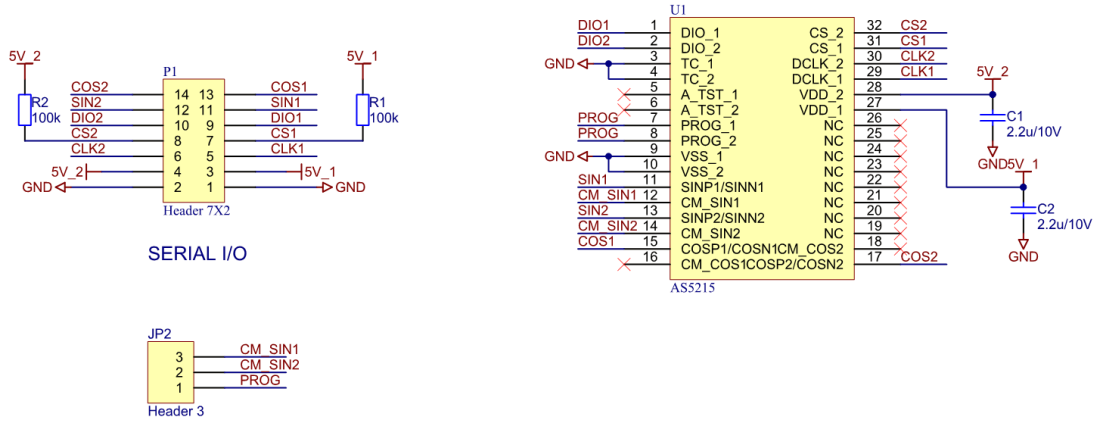
Figure 6: Programming of the AS5215



5 AS5215-AB Hardware

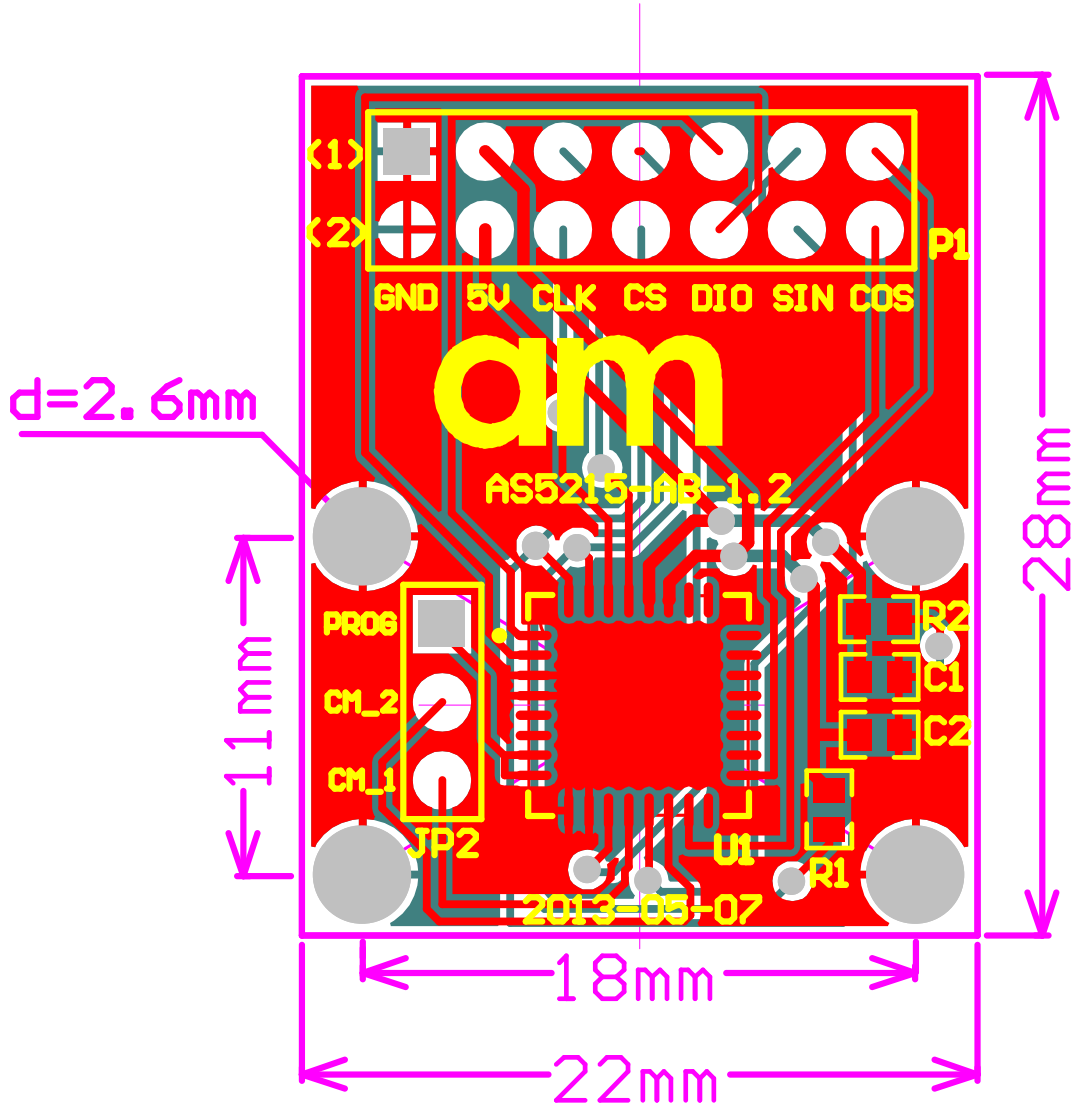
5.1 AS5215-AB schematics

Figure 7: AS5215-AB schematics



5.2 AS5215-AB PCB layout

Figure 8: AS5215-AB PCB layout



6 Ordering & Contact Information

Ordering Code	Description
AS5215-AB	AS5215 Eval Kit Adapter Board

Buy our products or get free samples online at:

www.ams.com/ICdirect

Technical Support is available at:

www.ams.com/Technical-Support

Provide feedback about this document at:

www.ams.com/Document-Feedback

For further information and requests, e-mail us at:

ams_sales@ams.com

For sales offices, distributors and representatives, please visit:

www.ams.com/contact

Headquarters

ams AG

Tobelbaderstrasse 30

8141 Unterpemstaetten

Austria, Europe

Tel: +43 (0) 3136 500 0

Website: www.ams.com

7 Copyrights & Disclaimer

Copyright ams AG, Tobelbader Strasse 30, 8141 Unterpremstaetten, Austria-Europe. Trademarks Registered. All rights reserved. The material herein may not be reproduced, adapted, merged, translated, stored, or used without the prior written consent of the copyright owner.

Demo Kits, Evaluation Kits and Reference Designs are provided to recipient on an “as is” basis for demonstration and evaluation purposes only and are not considered to be finished end-products intended and fit for general consumer use, commercial applications and applications with special requirements such as but not limited to medical equipment or automotive applications. Demo Kits, Evaluation Kits and Reference Designs have not been tested for compliance with electromagnetic compatibility (EMC) standards and directives, unless otherwise specified. Demo Kits, Evaluation Kits and Reference Designs shall be used by qualified personnel only.

ams AG reserves the right to change functionality and price of Demo Kits, Evaluation Kits and Reference Designs at any time and without notice.

Any express or implied warranties, including, but not limited to the implied warranties of merchantability and fitness for a particular purpose are disclaimed. Any claims and demands and any direct, indirect, incidental, special, exemplary or consequential damages arising from the inadequacy of the provided Demo Kits, Evaluation Kits and Reference Designs or incurred losses of any kind (e.g. loss of use, data or profits or business interruption however caused) as a consequence of their use are excluded.

ams AG shall not be liable to recipient or any third party for any damages, including but not limited to personal injury, property damage, loss of profits, loss of use, interruption of business or indirect, special, incidental or consequential damages, of any kind, in connection with or arising out of the furnishing, performance or use of the technical data herein. No obligation or liability to recipient or any third party shall arise or flow out of ams AG rendering of technical or other services.