



Chipsmall Limited consists of a professional team with an average of over 10 year of expertise in the distribution of electronic components. Based in Hongkong, we have already established firm and mutual-benefit business relationships with customers from,Europe,America and south Asia,supplying obsolete and hard-to-find components to meet their specific needs.

With the principle of “Quality Parts,Customers Priority,Honest Operation,and Considerate Service”,our business mainly focus on the distribution of electronic components. Line cards we deal with include Microchip,ALPS,ROHM,Xilinx,Pulse,ON,Everlight and Freescale. Main products comprise IC,Modules,Potentiometer,IC Socket,Relay,Connector.Our parts cover such applications as commercial,industrial, and automotives areas.

We are looking forward to setting up business relationship with you and hope to provide you with the best service and solution. Let us make a better world for our industry!



## Contact us

Tel: +86-755-8981 8866 Fax: +86-755-8427 6832

Email & Skype: info@chipsmall.com Web: www.chipsmall.com

Address: A1208, Overseas Decoration Building, #122 Zhenhua RD., Futian, Shenzhen, China





512K X 16 BIT LOW POWER CMOS SRAM

FEATURES

- Process Technology : 0.15 $\mu$ m Full CMOS
- Organization : 512K x 16 bit
- Power Supply Voltage : 2.7V ~ 3.6V
- Low Data Retention Voltage : 1.5V(Min.)
- Three state output and TTL Compatible
- Package Type : 48-FPBGA, 44-TSOP2

GENERAL DESCRIPTION

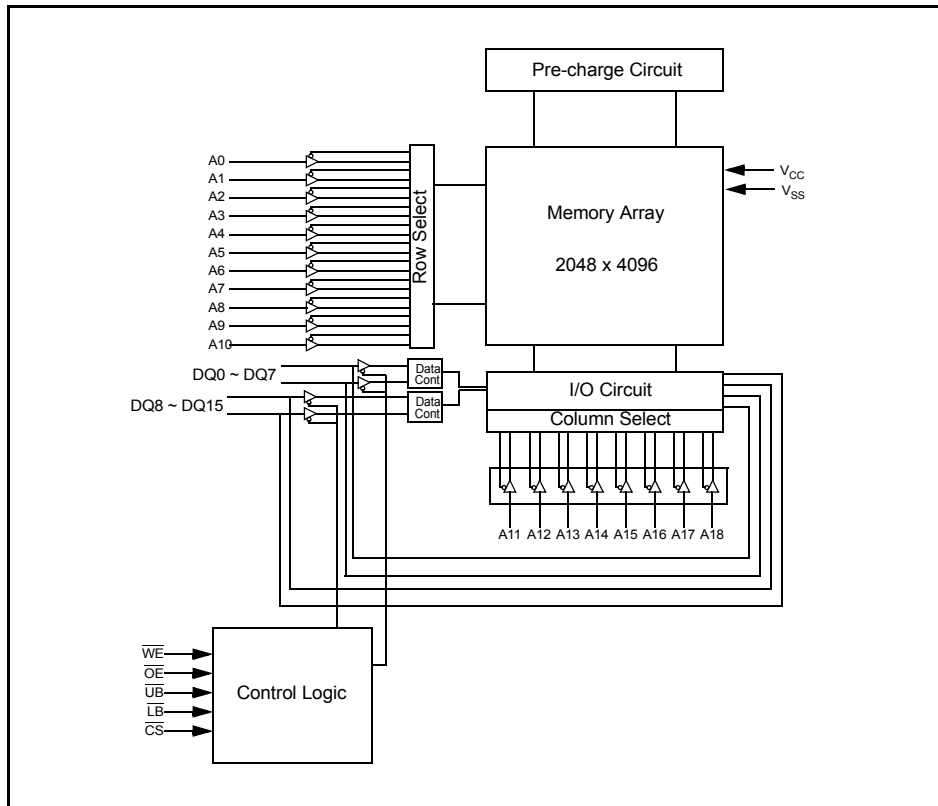
The AS6C8016A is fabricated by Alliance 's advanced full CMOS process technology. The families support industrial temperature range and Chip Scale Package for user flexibility of system design. The families also support low data retention voltage for battery back-up operation with low data retention current.

PRODUCT FAMILY

	Operating Temperature	Vcc Range	Speed	Power Dissipation		PKG Type
				Standby (I <sub>SB1</sub> , Typ.)	Operating (I <sub>CC1</sub> -Max.)	
AS6C8016A	Industrial (-40 ~ 85°C)	2.7 ~ 3.6 V	55 ns	2 $\mu$ A <sup>1)</sup>	4 mA	KGD
AS6C8016A-55BIN						48-FPBGA
AS6C8016A-55ZIN						44-TSOP2

1. Typical values are measured at Vcc=3.3V, T<sub>A</sub>=25°C and not 100% tested.

FUNCTIONAL BLOCK DIAGRAM





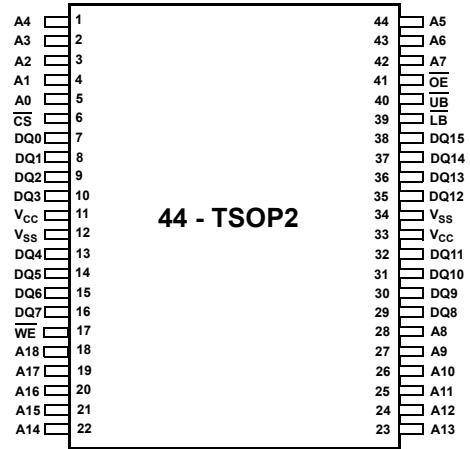
512K X 16 BIT LOW POWER CMOS SRAM

**PIN CONFIGURATIONS**

FPBGA-48 : Top view(ball down)

	1	2	3	4	5	6
A	$\overline{\text{LB}}$	$\overline{\text{OE}}$	A0	A1	A2	NC
B	DQ8	$\overline{\text{UB}}$	A3	A4	$\overline{\text{CS}}$	DQ0
C	DQ9	DQ10	A5	A6	DQ1	DQ2
D	V <sub>SS</sub>	DQ11	A17	A7	DQ3	V <sub>CC</sub>
E	V <sub>CC</sub>	DQ12	NC	A16	DQ4	V <sub>SS</sub>
F	DQ14	DQ13	A14	A15	DQ5	DQ6
G	DQ15	NC	A12	A13	$\overline{\text{WE}}$	DQ7
H	A18	A8	A9	A10	A11	NC

44 - TSOP2 : Top view



**PIN DESCRIPTION**

	Function	Name	Function
$\overline{\text{CS}}$	Chip Select input	V <sub>CC</sub>	Power Supply
$\overline{\text{OE}}$	Output Enable input	V <sub>SS</sub>	Ground
$\overline{\text{WE}}$	Write Enable input	$\overline{\text{UB}}$	Upper Byte (DQ8~DQ15)
A0~A18	Address inputs	$\overline{\text{LB}}$	Lower Byte (DQ0~DQ7)
DQ0~DQ15	Data inputs/outputs	NC	No Connection



## 512K X 16 BIT LOW POWER CMOS SRAM

**ABSOLUTE MAXIMUM RATINGS<sup>1)</sup>**

	Symbol	Ratings	Unit
Voltage on Any Pin Relative to V <sub>SS</sub>	V <sub>IN</sub> , V <sub>OUT</sub>	-0.2 to 4.0	V
Voltage on V <sub>CC</sub> supply relative to V <sub>SS</sub>	V <sub>CC</sub>	-0.2 to 4.0	V
Power Dissipation	P <sub>D</sub>	1.0	W
Operating Temperature	T <sub>A</sub>	-40 to 85	°C

1. Stresses greater than those listed under "Absolute Maximum Ratings" may cause permanent damage to the device. Functional operation should be restricted to recommended operating condition. Exposure to absolute maximum rating conditions for extended periods may affect reliability.

**FUNCTIONAL DESCRIPTION**

$\overline{\text{CS}}$	$\overline{\text{OE}}$	$\overline{\text{WE}}$	$\overline{\text{LB}}$	$\overline{\text{UB}}$	DQ0~7	DQ8~15	Mode	Power
H	X	X	X	X	High-Z	High-Z	Deselected	Stand by
X	X	X	H	H	High-Z	High-Z	Deselected	Stand by
L	H	H	L	X	High-Z	High-Z	Output Disabled	Active
L	H	H	X	L	High-Z	High-Z	Output Disabled	Active
L	L	H	L	H	Data Out	High-Z	Lower Byte Read	Active
L	L	H	H	L	High-Z	Data Out	Upper Byte Read	Active
L	L	H	L	L	Data Out	Data Out	Word Read	Active
L	X	L	L	H	Data In	High-Z	Lower Byte Write	Active
L	X	L	H	L	High-Z	Data In	Upper Byte Write	Active
L	X	L	L	L	Data In	Data In	Word Write	Active

**NOTE** : X means don't care. (Must be low or high state)





## 512K X 16 BIT LOW POWER CMOS SRAM

RECOMMENDED DC OPERATING CONDITIONS <sup>1)</sup>

	Symbol	Min	Typ	Max	Unit
Supply voltage	$V_{CC}$	2.7	3.3	3.6	V
Ground	$V_{SS}$	0	0	0	V
Input high voltage	$V_{IH}$	2.2	-	$V_{CC} + 0.2^{2)}$	V
Input low voltage	$V_{IL}$	$-0.2^{3)}$	-	0.6	V

1.  $T_A = -40$  to  $85^\circ\text{C}$ , otherwise specified
2. Overshoot:  $V_{CC} + 2.0$  V in case of pulse width  $\leq 20$ ns
3. Undershoot:  $-2.0$  V in case of pulse width  $\leq 20$ ns
4. Overshoot and undershoot are sampled, not 100% tested.

CAPACITANCE <sup>1)</sup> ( $f = 1\text{MHz}$ ,  $T_A = 25^\circ\text{C}$ )

Item	Symbol	Test Condition	Min	Max	Unit
Input capacitance	$C_{IN}$	$V_{IN} = 0\text{V}$	-	8	pF
Input/Output capacitance	$C_{IO}$	$V_{IO} = 0\text{V}$	-	10	pF

1. Capacitance is sampled, not 100% tested

## DC AND OPERATING CHARACTERISTICS

Parameter	Symbol	Test Conditions	Min	Typ	Max	Unit
Input leakage current	$I_{LI}$	$V_{IN} = V_{SS}$ to $V_{CC}$	-1	-	1	$\mu\text{A}$
Output leakage current	$I_{LO}$	$\overline{CS} = V_{IH}$ or $\overline{OE} = V_{IH}$ or $\overline{WE} = V_{IL}$ or $\overline{LB} = \overline{UB} = V_{IH}$ $V_{IO} = V_{SS}$ to $V_{CC}$	-1	-	1	$\mu\text{A}$
Operating power supply	$I_{CC}$	$I_{IO} = 0\text{mA}$ , $\overline{CS} = V_{IL}$ , $\overline{WE} = V_{IH}$ , $V_{IN} = V_{IH}$ or $V_{IL}$	-	-	2	mA
Average operating current	$I_{CC1}$	Cycle time = $1\mu\text{s}$ , 100% duty, $I_{IO} = 0\text{mA}$ , $\overline{CS} \leq 0.2\text{V}$ , $\overline{LB} \leq 0.2\text{V}$ or/and $\overline{UB} \leq 0.2\text{V}$ , $V_{IN} \leq 0.2\text{V}$ or $V_{IN} \geq V_{CC} - 0.2\text{V}$	-	-	4	mA
	$I_{CC2}$	Cycle time = Min, $I_{IO} = 0\text{mA}$ , 100% duty, $\overline{CS} = V_{IL}$ , $\overline{LB} = V_{IL}$ or/and $\overline{UB} = V_{IL}$ , $V_{IN} = V_{IL}$ or $V_{IH}$	55ns	-	35	mA
Output low voltage	$V_{OL}$	$I_{OL} = 2.1\text{mA}$	-	-	0.4	V
Output high voltage	$V_{OH}$	$I_{OH} = -1.0\text{mA}$	2.4	-	-	V
Standby Current (TTL)	$I_{SB}$	$\overline{CS} = V_{IH}$ , Other inputs = $V_{IH}$ or $V_{IL}$	-	-	0.5	mA
Standby Current (CMOS)	$I_{SB1}$	$\overline{CS} \geq V_{CC} - 0.2\text{V}$ , Other inputs = $0 \sim V_{CC}$ (Typ. condition : $V_{CC} = 3.3\text{V}$ @ $25^\circ\text{C}$ ) (Max. condition : $V_{CC} = 3.6\text{V}$ @ $85^\circ\text{C}$ )	LF	-	$2^{1)}$	$15 \mu\text{A}$

1. Typical values are measured at  $V_{CC} = 3.3\text{V}$ ,  $T_A = 25^\circ\text{C}$  and not 100% tested.



## 512K X 16 BIT LOW POWER CMOS SRAM

## AC OPERATING CONDITIONS

## Test Conditions (Test Load and Test Input/Output Reference)

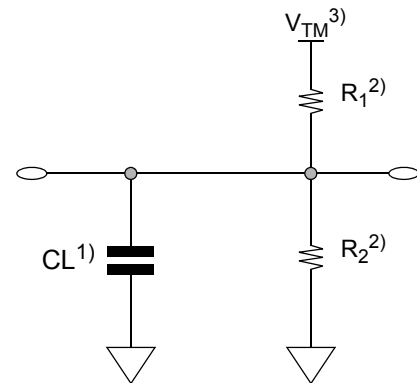
Input Pulse Level : 0.4 to 2.4V

Input Rise and Fall Time : 5ns

Input and Output reference Voltage : 1.5V

Output Load (See right) :  $CL^{(1)} = 100\text{pF} + 1\text{TTL}(70\text{nsec})$  $CL^{(1)} = 30\text{pF} + 1\text{TTL}(45\text{ns}/55\text{ns})$ 

1. Including scope and Jig capacitance

2.  $R_1=3070\Omega$ ,  $R_2=3150\Omega$ 3.  $V_{TM}=2.8\text{V}$ 4.  $CL = 5\text{pF} + 1\text{TTL}$  (measurement with  $t_{LZ}$ ,  $t_{HZ}$ ,  $t_{OLZ}$ ,  $t_{OHZ}$ ,  $t_{WHZ}$ )READ CYCLE ( $V_{CC}=2.7$  to  $3.6\text{V}$ ,  $Gnd = 0\text{V}$ ,  $T_A = -40^\circ\text{C}$  to  $+85^\circ\text{C}$ )

	Symbol	55ns		Unit
		Min	Max	
Read cycle time	$t_{RC}$	55	-	ns
Address access time	$t_{AA}$	-	55	ns
Chip select to output	$t_{CO}$	-	55	ns
Output enable to valid output	$t_{OE}$	-	35	ns
$\overline{UB}$ , $\overline{LB}$ access time	$t_{BA}$		45	ns
Chip select to low-Z output	$t_{LZ}$	5	-	ns
$\overline{UB}$ , $\overline{LB}$ enable to low-Z output	$t_{BLZ}$	5	-	ns
Output enable to low-Z output	$t_{OLZ}$	5	-	ns
Chip disable to high-Z output	$t_{HZ}$	0	20	ns
$\overline{UB}$ , $\overline{LB}$ disable to how-Z output	$t_{BHZ}$	0	20	ns
Output disable to high-Z output	$t_{OHZ}$	0	20	ns
Output hold from address change	$t_{OH}$	10	-	ns

WRITE CYCLE ( $V_{CC}=2.7$  to  $3.6\text{V}$ ,  $Gnd = 0\text{V}$ ,  $T_A = -40^\circ\text{C}$  to  $+85^\circ\text{C}$ )

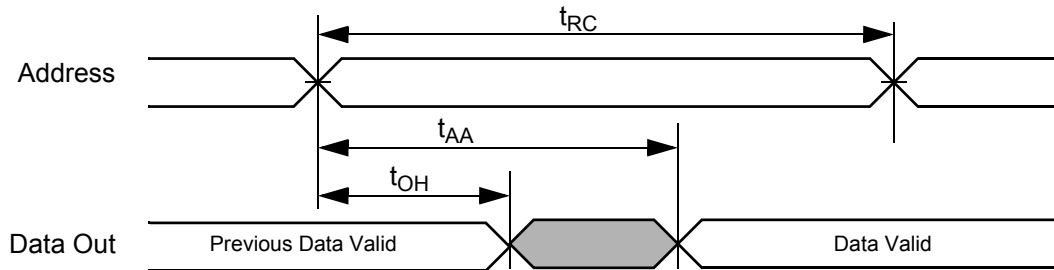
Parameter	Symbol	55ns		Unit
		Min	Max	
Write cycle time	$t_{WC}$	55	-	ns
Chip select to end of write	$t_{CW}$	45	-	ns
Address setup time	$t_{AS}$	0	-	ns
Address valid to end of write	$t_{AW}$	45	-	ns
$\overline{UB}$ , $\overline{LB}$ valid to end of write	$t_{BW}$	45	-	ns
Write pulse width	$t_{WP}$	45	-	ns
Write recovery time	$t_{WR}$	0	-	ns
Write to output high-Z	$t_{WHZ}$	0	20	ns
Data to write time overlap	$t_{DW}$	25		ns
Data hold from write time	$t_{DH}$	0	-	ns
End write to output low-Z	$t_{OW}$	5	-	ns



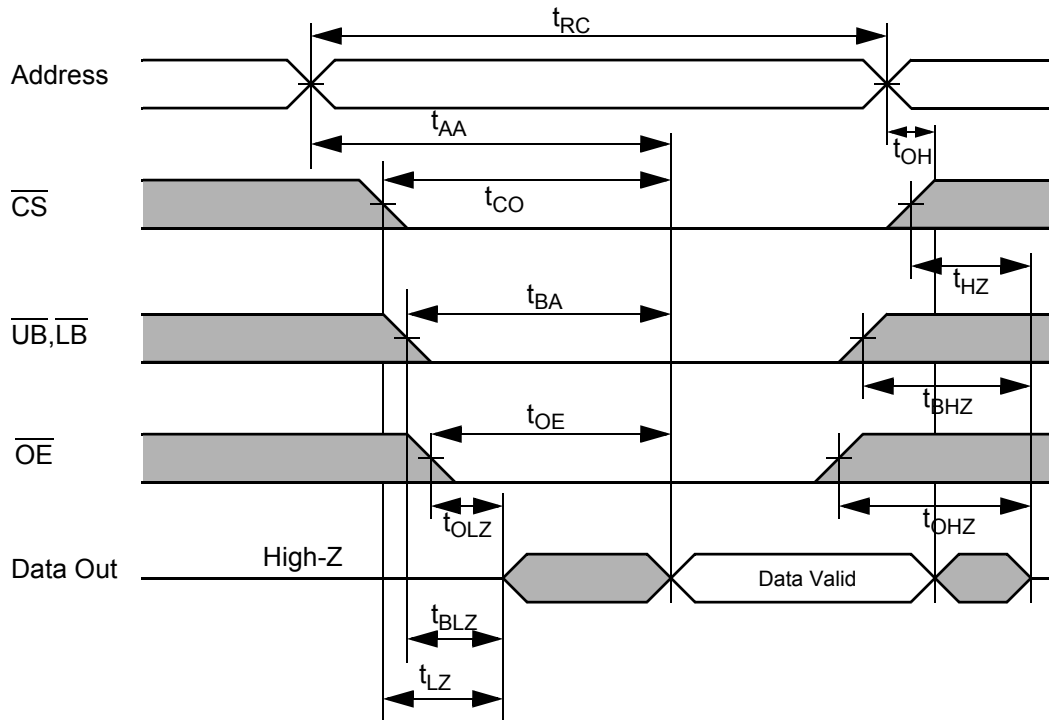
512K X 16 BIT LOW POWER CMOS SRAM

TIMING DIAGRAMS

TIMING WAVEFORM OF READ CYCLE(1) (Address Controlled,  $\overline{CS}=\overline{OE}=V_{IL}$ ,  $\overline{WE}=V_{IH}$ ,  $\overline{UB}$  or/and  $\overline{LB}=V_{IL}$ )



TIMING WAVEFORM OF READ CYCLE(2) ( $\overline{WE} = V_{IH}$ )



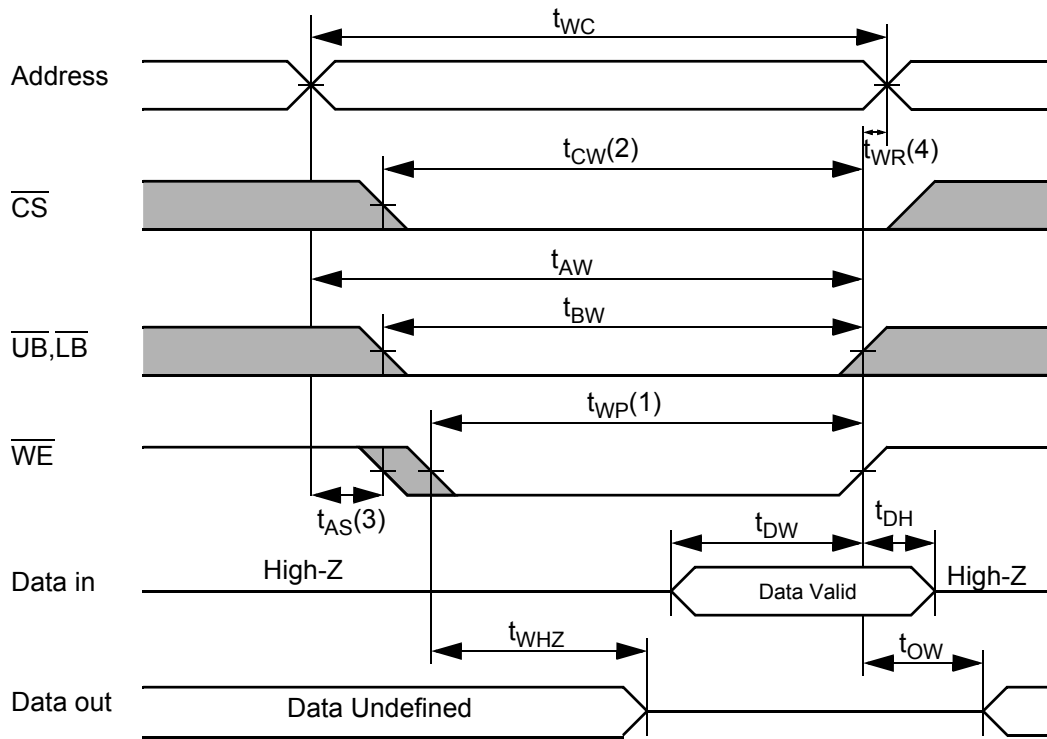
NOTES (READ CYCLE)

1.  $t_{HZ}$  and  $t_{OHZ}$  are defined as the outputs achieve the open circuit conditions and are not referenced to output voltage levels.
2. At any given temperature and voltage condition,  $t_{HZ}(\text{Max.})$  is less than  $t_{LZ}(\text{Min.})$  both for a given device and from device to device interconnection.

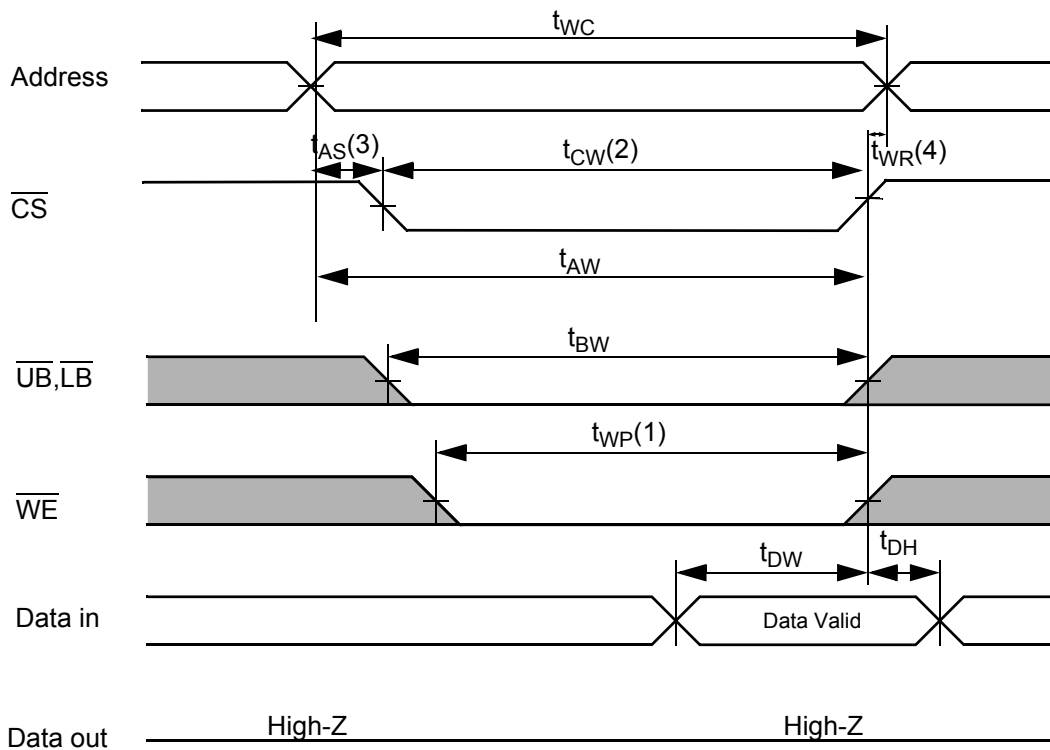


512K X 16 BIT LOW POWER CMOS SRAM

TIMING WAVEFORM OF WRITE CYCLE(1) ( $\overline{WE}$  Controlled)



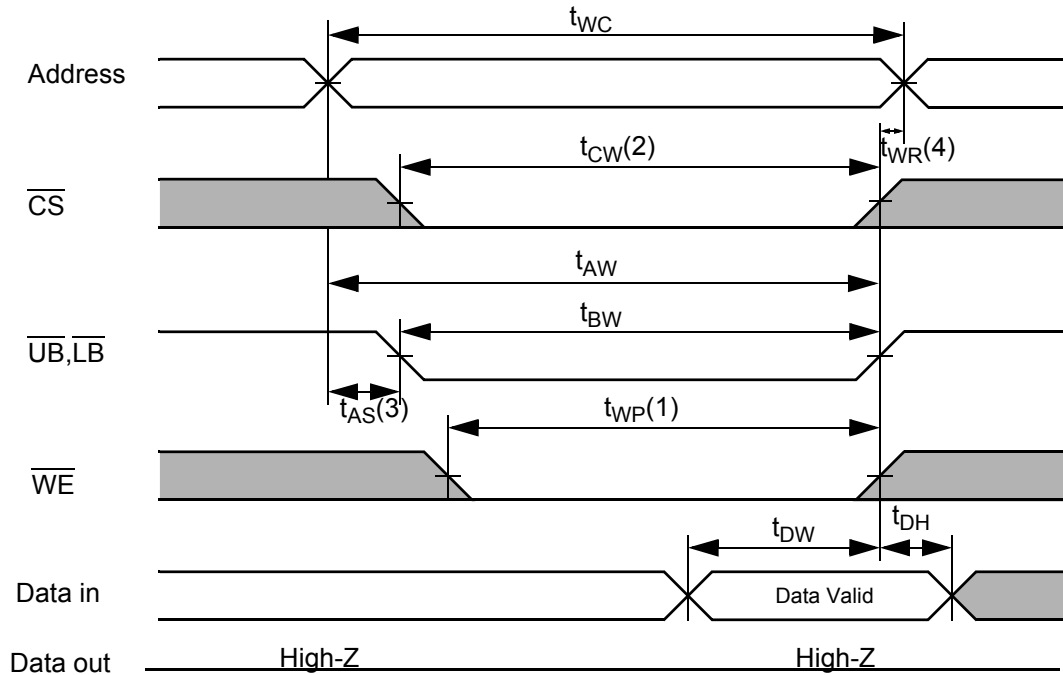
TIMING WAVEFORM OF WRITE CYCLE(2) ( $\overline{CS}$  Controlled)







## 512K X 16 BIT LOW POWER CMOS SRAM

TIMING WAVEFORM OF WRITE CYCLE(3) ( $\overline{UB}$ ,  $\overline{LB}$  Controlled)**NOTES (WRITE CYCLE)**

1. A write occurs during the overlap ( $t_{WP}$ ) of low  $\overline{CS}$  and low  $\overline{WE}$ . A write begins when  $\overline{CS}$  goes low and  $\overline{WE}$  goes low with asserting  $\overline{UB}$  or  $\overline{LB}$  for single byte operation or simultaneously asserting  $\overline{UB}$  and  $\overline{LB}$  for double byte operation. A write ends at the earliest transition when  $\overline{CS}$  goes high and  $\overline{WE}$  goes high. The  $t_{WP}$  is measured from the beginning of write to the end of write.
2.  $t_{CW}$  is measured from the  $\overline{CS}$  going low to end of write.
3.  $t_{AS}$  is measured from the address valid to the beginning of write.
4.  $t_{WR}$  is measured from the end of write to the address change.  $t_{WR}$  applied in case a write ends as  $\overline{CS}$  or  $\overline{WE}$  going high.



512K X 16 BIT LOW POWER CMOS SRAM

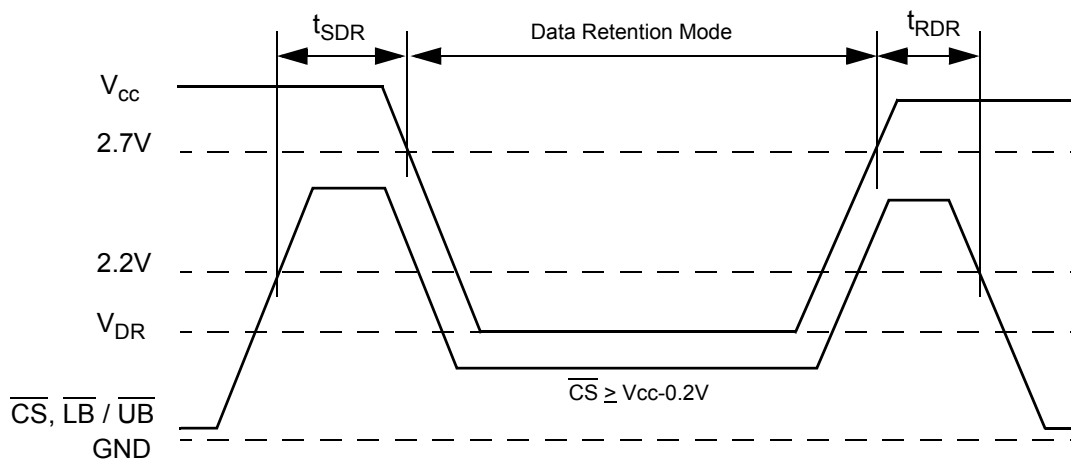
**DATA RETENTION CHARACTERISTICS**

	Symbol	Test Condition	Min	Typ	Max	Unit
V <sub>CC</sub> for Data Retention	V <sub>DR</sub>	I <sub>SB1</sub> Test Condition (Chip Disabled) <sup>1)</sup>	1.5	-	3.6	V
Data Retention Current	I <sub>DR</sub>	V <sub>CC</sub> =1.5V, I <sub>SB1</sub> Test Condition (Chip Disabled) <sup>1)</sup>	-	-	4	μA
Chip Deselect to Data Retention Time	t <sub>SDR</sub>	See data retention wave form	0	-	-	ns
Operation Recovery Time	t <sub>RDR</sub>		t <sub>RC</sub>	-	-	

**NOTES**

1. See the I<sub>SB1</sub> measurement condition of datasheet page 4.

**DATA RETENTION WAVE FORM**





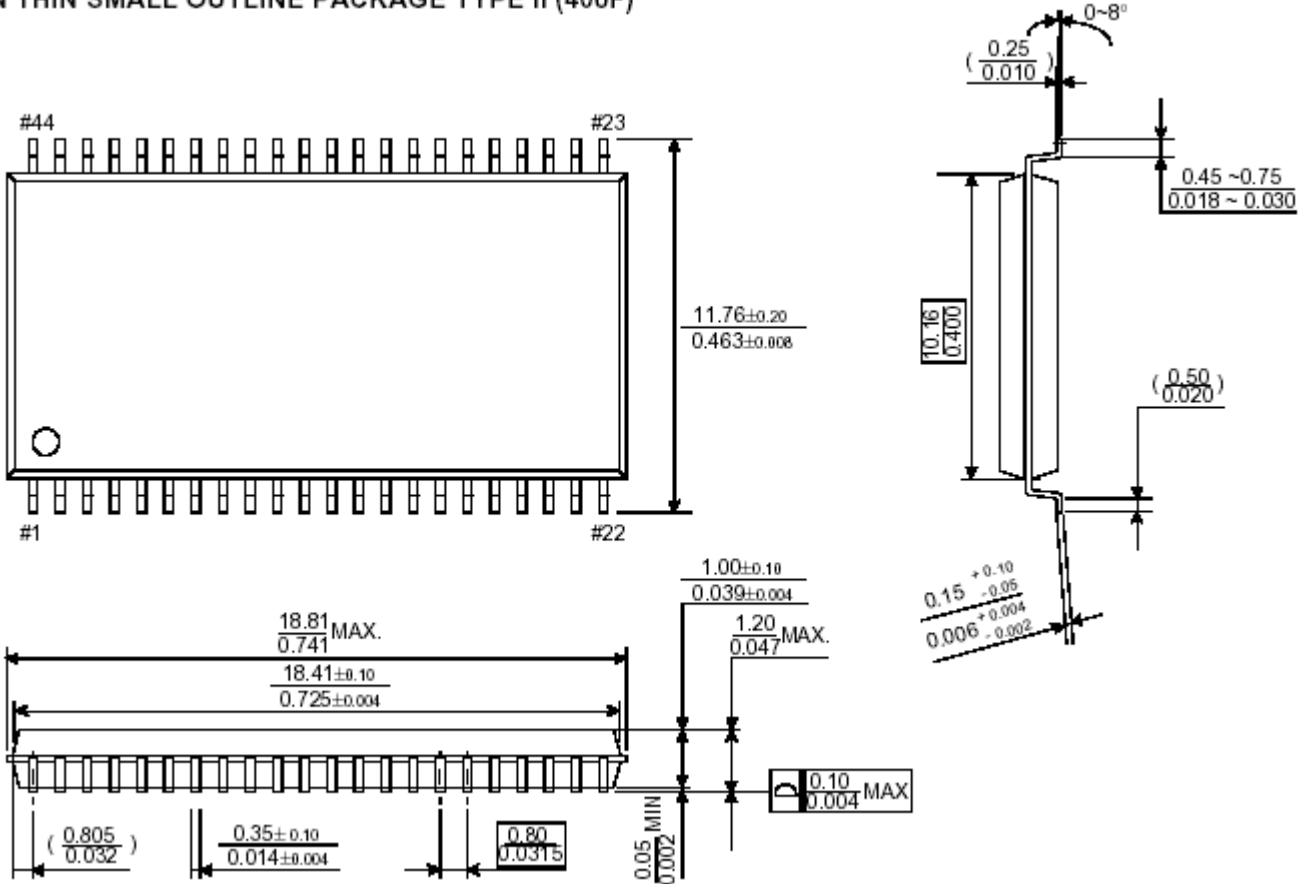
512K X 16 BIT LOW POWER CMOS SRAM

PACKAGE DIMENSION

44 - TSOP2 (0.8mm pin pitch)

Unit : millimeters / inches

44 PIN THIN SMALL OUTLINE PACKAGE TYPE II (400F)

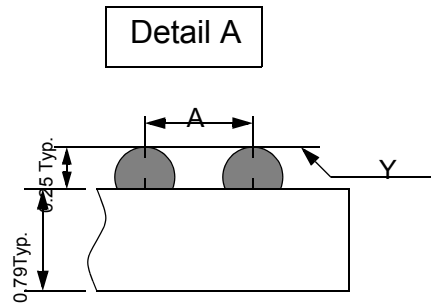
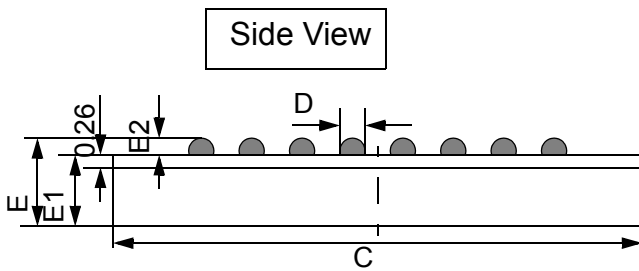
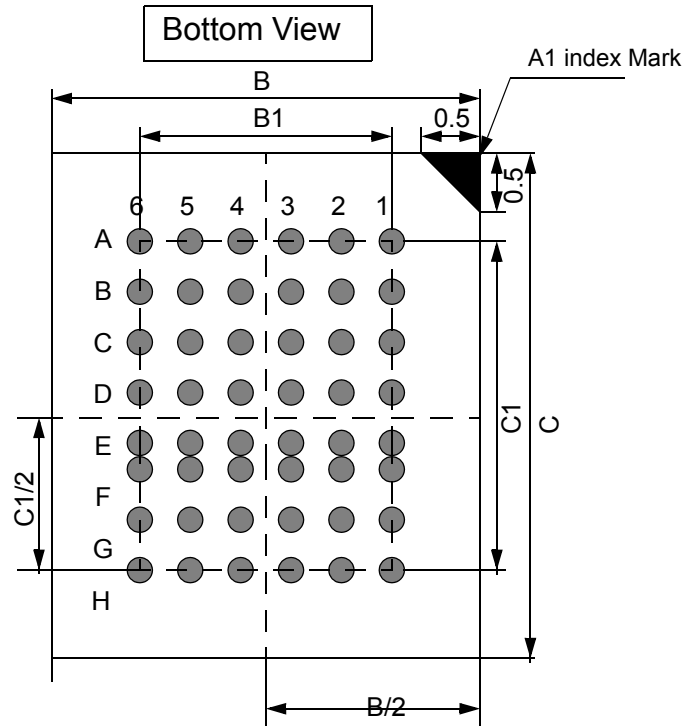
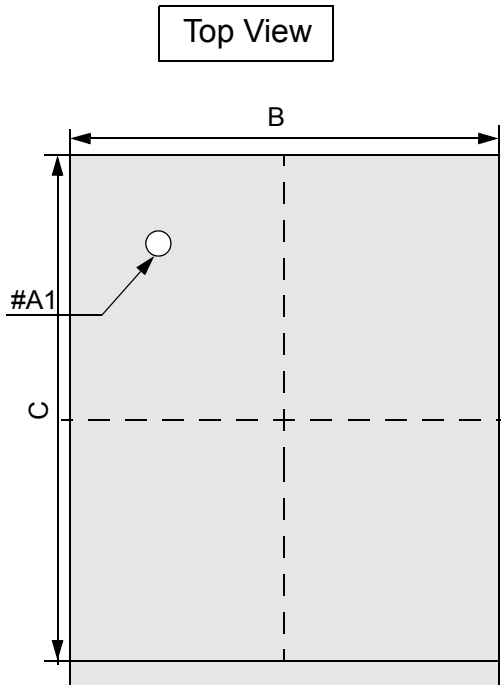




512K X 16 BIT LOW POWER CMOS SRAM

48 Ball Fine Pitch BGA (0.75mm ball pitch)

Unit: millimeters



	Min	Typ	Max
A	-	0.75	-
B	7.95	8.00	8.05
B1	-	3.75	-
C	9.95	10.00	10.05
C1	-	5.25	-
D	0.30	0.35	0.40
E	-	-	1.00
E1	-	-	0.70
E2	0.20	0.25	0.30
Y	-	-	0.08

NOTES.

1. Bump counts : 48(8row x 6column)
2. Bump pitch : (x,y)=(0.75x0.75) (typ.)
3. All tolerance are +/-0.050 unless otherwise specified.
4. Typ : Typical
5. Y is coplanarity : 0.08(Max)



## 512K X 16 BIT LOW POWER CMOS SRAM

**ORDERING INFORMATION**

Alliance	Organization	VCC Range	Package	Operating Temp	Speed ns
AS6C8016A -55ZIN	512K x 16	2.7 - 3.6V	44pin TSOP II	Industrial ~ -40 C - 85 C	55
AS6C8016A -55BIN	512K x 16	2.7 - 3.6V	48ball FBGA	Industrial ~ -40 C - 85 C	55

**PART NUMBERING SYSTEM**

AS6C	8016	-55	X	X	N
Low power SRAM prefix	Device Number 80 = 8M 16 = x16	Access Time	Package Option Z - 44pin TSOP B = 48ball FBGA	Temperature Range I = Industrial (-40 to + 85 C)	N = Lead Free RoHS compliant part



Alliance Memory, Inc  
551 Taylor Way,  
San Carlos, CA 94070, USA  
Phone: 650-610-6800  
Fax: 650-620-9211

[www.alliancememory.com](http://www.alliancememory.com)

Copyright © Alliance Memory  
All Rights Reserved

© Copyright 2007 Alliance Memory, Inc. All rights reserved. Our three-point logo, our name and Intelliwatt are trademarks or registered trademarks of Alliance. All other brand and product names may be the trademarks of their respective companies. Alliance reserves the right to make changes to this document and its products at any time without notice. Alliance assumes no responsibility for any errors that may appear in this document. The data contained herein represents Alliance's best data and/or estimates at the time of issuance. Alliance reserves the right to change or correct this data at anytime, without notice. If the product described herein is under development, significant changes to these specifications are possible. The information in this product data sheet is intended to be general descriptive information for potential customers and users, and is not intended to operate as, or provide, any guarantee or warranty to any user or customer. Alliance does not assume any responsibility or liability arising out of the application or use of any product described herein, and disclaims any express or implied warranties related to the sale and/or use of Alliance products including liability or warranties related to fitness for a particular purpose, merchantability, or infringement of any intellectual property rights, except as expressly agreed to in Alliance's Terms and Conditions of Sale (which are available from Alliance). All sales of Alliance products are made exclusively according to Alliance's Terms and Conditions of Sale. The purchase of products from Alliance does not convey a license under any patent rights, copyrights; mask works rights, trademarks, or any other intellectual property rights of Alliance or third parties. Alliance does not authorize its products for use as critical components in life-supporting systems where a malfunction or failure may reasonably be expected to result in significant injury to the user, and the inclusion of Alliance products in such life-supporting systems implies that the manufacturer assumes all risk of such use and agrees to indemnify Alliance against all claims arising from such use.