



Chipsmall Limited consists of a professional team with an average of over 10 year of expertise in the distribution of electronic components. Based in Hongkong, we have already established firm and mutual-benefit business relationships with customers from,Europe,America and south Asia,supplying obsolete and hard-to-find components to meet their specific needs.

With the principle of “Quality Parts,Customers Priority,Honest Operation,and Considerate Service”,our business mainly focus on the distribution of electronic components. Line cards we deal with include Microchip,ALPS,ROHM,Xilinx,Pulse,ON,Everlight and Freescale. Main products comprise IC,Modules,Potentiometer,IC Socket,Relay,Connector.Our parts cover such applications as commercial,industrial, and automotives areas.

We are looking forward to setting up business relationship with you and hope to provide you with the best service and solution. Let us make a better world for our industry!



Contact us

Tel: +86-755-8981 8866 Fax: +86-755-8427 6832

Email & Skype: info@chipsmall.com Web: www.chipsmall.com

Address: A1208, Overseas Decoration Building, #122 Zhenhua RD., Futian, Shenzhen, China

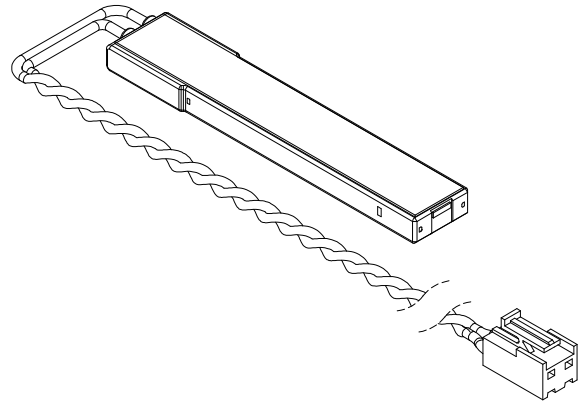
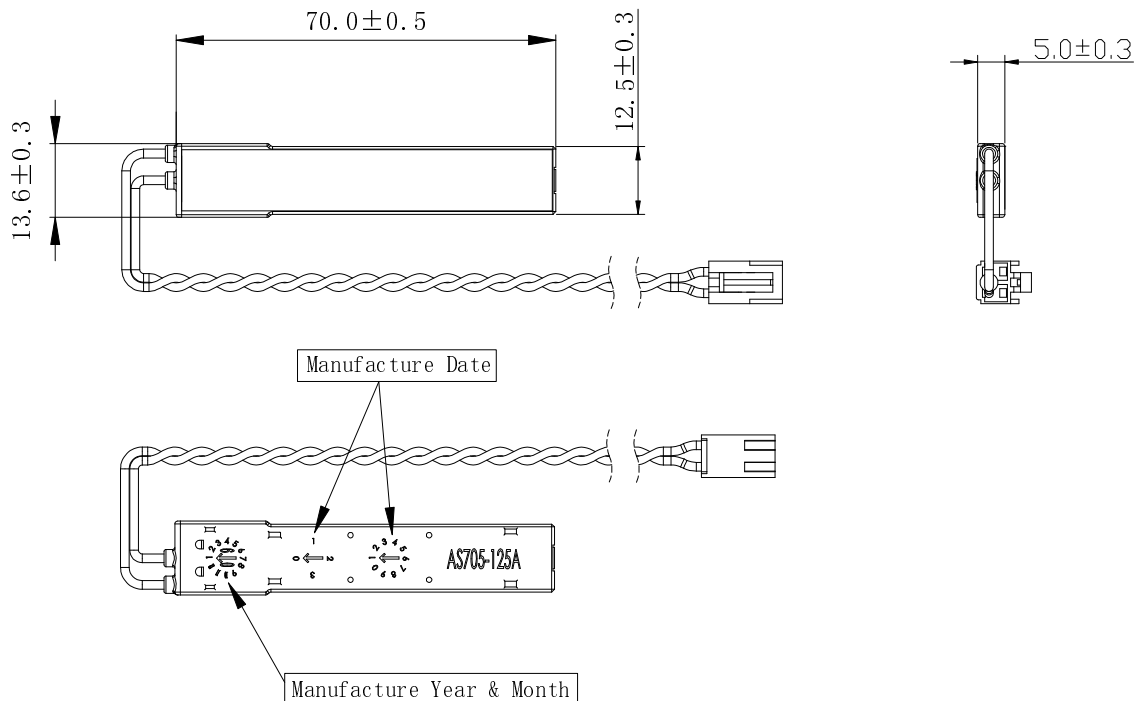


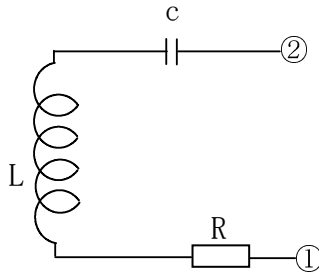
Type: AS705A
◆ Product Description

- * 70.5×13.9mm Max(L×W),5.3mm Max. Height.
- * Operating Temperature: -40°C ~ +85°C.

◆ Feature

- * LF Transmitter antenna.
- * Small size installation space can be saved.
- * Match for TI & NXP IC, resonant frequency be pre-set to 125kHz,134kHz or customization.
- * Meeting protection against water degree IPX4K of ISO20653 by adding water-proof part.
- * Ideally used in keyless smart entry system.
- * Over molding, with/ without harness and connector.
- * RoHS Compliance.


◆ Mechanical dimensions (unit: mm)


Type: AS705A
◆ Schematic diagram


L: Ferrite core coil inductance.

C: Tuning internal capacitor.

R: Copper resistance.

◆ Electrical Characteristics

Part number	Tuning capacitance	Load Q	Resonant frequency	Resonant current	Load resistance
AS705 -125A	332	60.1	125.0 ± 1.5kHz	1.2App	4.7 Ω
AS705-125B	472	52.1	125.0 ± 1.5kHz	2.5App	2.2 Ω
AS705-125C	682	41.7	125.0 ± 1.5kHz	2.8App	2.2 Ω
AS705-125D	822	30.5	125.0 ± 1.5kHz	2.4App	3.3 Ω
AS705-125E	103	26.3	125.0 ± 1.5kHz	2.6App	3.3 Ω
AS705 -134A	332	65.2	134.2 ± 1.5kHz	1.2App	4.7 Ω
AS705-134B	472	63.8	134.2 ± 1.5kHz	2.5App	2.2 Ω
AS705-134C	682	36.3	134.2 ± 1.5kHz	2.9App	2.2 Ω
AS705-134D	822	30.5	134.2 ± 1.5kHz	2.5App	3.3 Ω
AS705-134E	103	25.8	134.2 ± 1.5kHz	2.6App	3.3 Ω
AS705-20K	334	3.26	20 ± 1.5kHz	2.2App	3.3 Ω

* It is possible for customer specification at harness length and connector form.

* It is possible for other frequency.

◆ Packaging specification

* Using plastic tray packaging.

* Outside carton dimension: 500mm X 300mm X 175mm.

* Packaging Q'ty: 120pcs/carton.