



Chipsmall Limited consists of a professional team with an average of over 10 year of expertise in the distribution of electronic components. Based in Hongkong, we have already established firm and mutual-benefit business relationships with customers from,Europe,America and south Asia,supplying obsolete and hard-to-find components to meet their specific needs.

With the principle of “Quality Parts,Customers Priority,Honest Operation,and Considerate Service”,our business mainly focus on the distribution of electronic components. Line cards we deal with include Microchip,ALPS,ROHM,Xilinx,Pulse,ON,Everlight and Freescale. Main products comprise IC,Modules,Potentiometer,IC Socket,Relay,Connector.Our parts cover such applications as commercial,industrial, and automotives areas.

We are looking forward to setting up business relationship with you and hope to provide you with the best service and solution. Let us make a better world for our industry!



Contact us

Tel: +86-755-8981 8866 Fax: +86-755-8427 6832

Email & Skype: info@chipsmall.com Web: www.chipsmall.com

Address: A1208, Overseas Decoration Building, #122 Zhenhua RD., Futian, Shenzhen, China





AS7210 Smart Daylighting Manager

Standalone daylight sensing and integrated luminaire management

AS7210 is a highly-integrated Smart Lighting Manager with an embedded digital ambient light sensor (ALS). This provides single-device, closed-loop and automatic adjustment of the brightness of florescent and LED lamps and luminaires to maintain constant lux in response to available daylight. For streamlined system integration, luminaire control is through direct connection to 0-10V dimmers, with control outputs that include direct PWM to LED drivers or analog 0-10V to standard dimming ballasts.

Key Features

- Photopic sensor for accurate LUX control
- Compatible with standard dimmer, occupancy controls and ballasts
- Built-in PWM generator for precise 1% dimming
- 2.3 x 2.5mm WLCSP package, 5 x 5mm LGA

Key Benefits

- Automatic daylighting
- Direct 0-10V inputs/outputs
- Direct PWM interfaces
- Choice of compact 20-pin packages

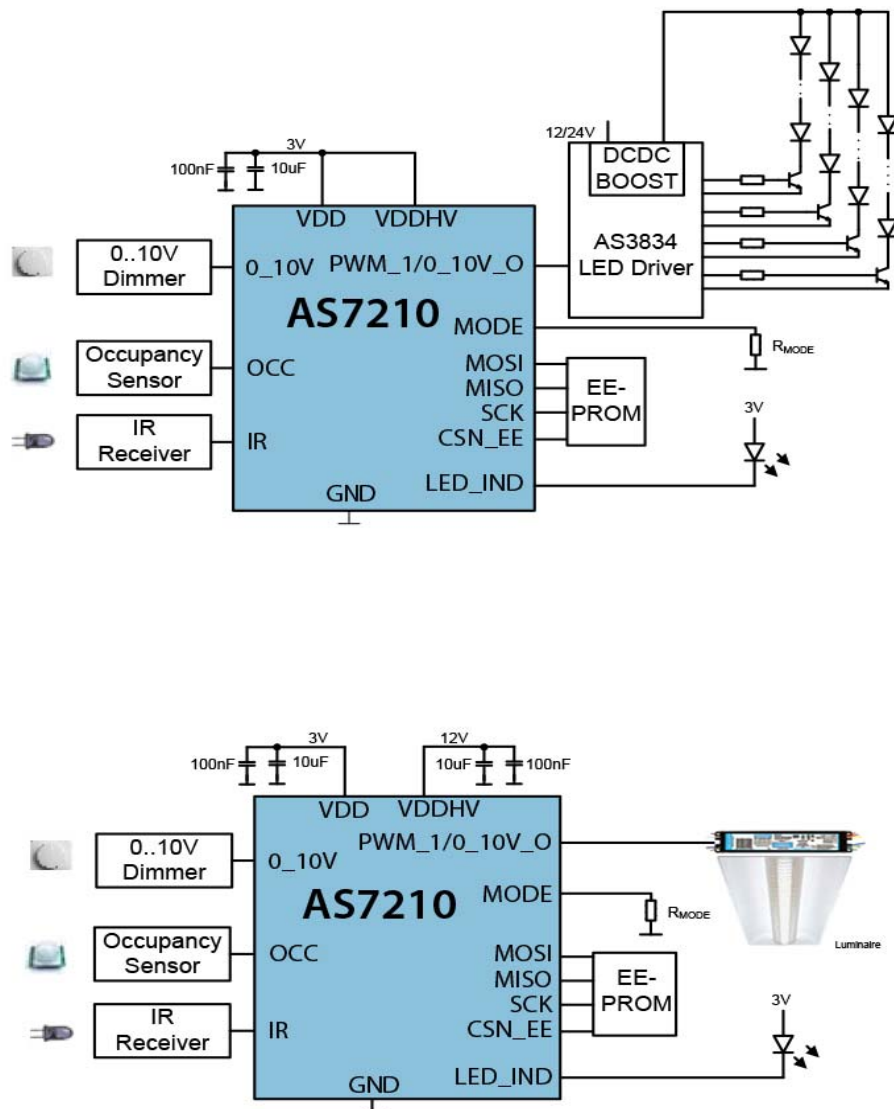
Product Facts

| | |
|-----------------------|------------------------|
| Sensor Type | Photopic Ambient Light |
| Application | Retrofit Daylighting |
| UART | No |
| Reference Networking | n/a |
| Smart Ltg Command Set | n/a |
| Lux/CCT Control | Lux hold |
| I ² C | Master |
| Package | TSV (2x2) LGA(5x5) |

Applications

Sense ambient light, dim and maintain brightness of luminaires and lamps in local loop control, automatic lumen maintenance, and simple control of luminaires and lamps.

- LED and florescent luminaires, troffers, high-bays
- Tack-head and downlights
- LED and florescent replacement lamps



Blockdiagram for AS7210 Smart Daylighting Manager