



Chipsmall Limited consists of a professional team with an average of over 10 year of expertise in the distribution of electronic components. Based in Hongkong, we have already established firm and mutual-benefit business relationships with customers from,Europe,America and south Asia,supplying obsolete and hard-to-find components to meet their specific needs.

With the principle of “Quality Parts,Customers Priority,Honest Operation,and Considerate Service”,our business mainly focus on the distribution of electronic components. Line cards we deal with include Microchip,ALPS,ROHM,Xilinx,Pulse,ON,Everlight and Freescale. Main products comprise IC,Modules,Potentiometer,IC Socket,Relay,Connector.Our parts cover such applications as commercial,industrial, and automotives areas.

We are looking forward to setting up business relationship with you and hope to provide you with the best service and solution. Let us make a better world for our industry!



Contact us

Tel: +86-755-8981 8866 Fax: +86-755-8427 6832

Email & Skype: info@chipsmall.com Web: www.chipsmall.com

Address: A1208, Overseas Decoration Building, #122 Zhenhua RD., Futian, Shenzhen, China



2.5V CMOS Compatible SMD Crystal Oscillator



3.2 x 2.5 x 1.2mm

ASE2 SERIES



ESD Sensitive



RoHS / RoHS II Compliant

Moisture Sensitivity Level (MSL) -1

FEATURES:

- Compact and low in height at 1.2mm
- Low current consumption
2mA typ. for 19.2MHz
- Tri state function
- Suitable for RoHS reflow
- Tight stability option ± 20 ppm for -40 to +85°C
- Seam sealed package assures high reliability

APPLICATIONS:

- CCD clock for VTR camera
- Equipment connected to PC or PC cards
- Wireless communication

STANDARD SPECIFICATIONS:

Parameters	Minimum	Typical	Maximum	Units	Notes
Frequency Range	0.625		156.25	MHz	
Operating Temperature	-10		+70	°C	STD (See options)
Storage Temperature	-55		+125	°C	
Overall Frequency Stability	-100		+100	ppm	See options
Supply Voltage (Vdd)	+2.375	2.5	+2.625	V	
Supply Current (Idd)		2	8	mA	0.625 ~ 19.99 MHz
		3	8		20.00 ~ 31.99 MHz
		5	15		32.00 ~ 59.99 MHz
		12	25		60.00 ~ 125.00 MHz
		15	25		125.01 ~ 156.25MHz
Symmetry @ 1/2Vdd	45		55	%	0.625 ~ 89.999 MHz
	40		60		90.00 ~ 156.25 MHz
Rise and Fall Time (Tr/Tf)		3	5	ns	0.625 ~ 19.99 MHz
		3	5		20.00 ~ 31.99 MHz
		3	5		32.00 ~ 59.99 MHz
		3	5		60.00 ~ 125.00 MHz
		3	5		125.01 ~ 156.25MHz
Output Load			15	pF	CMOS
Output Voltage (VOH)	0.9* Vdd			V	
Output Voltage (VOL)			0.1* Vdd	V	
Start-up Time		0.6	3	ms	0.625 ~ 19.99 MHz
		0.6	3		20.00 ~ 31.99 MHz
		0.6	3		32.00 ~ 59.99 MHz
		1.3	2		60.00 ~ 125.00 MHz
		1.3	2		125.01 ~ 156.25MHz
Tri-state function	"1" (VIH \geq 0.7*Vdd) or Open: Oscillation; "0" (VIL<0.3*Vdd) : Hi Z				
RMS Jitter:		2	5	ps	
Aging at 25°C (first year)	-5		+5	ppm	
Stand-by Current:			10	μ A	

OPTIONS & PART IDENTIFICATION: (Left blank if standard)

ASE2 - [] MHz - [] - [] - []

Frequency in MHz
e.g. 0.625MHz
24.576MHz
14.31818MHz
26.000MHz
156.25MHz

Operating Temp.
I: 0°C ~ +50°C
D: -10°C ~ +60°C
E: -20°C ~ +70°C
F: -30°C ~ +70°C
N: -30°C ~ +85°C
L: -40°C ~ +85°C

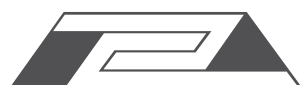
Contact ABRACON for wider temperature range.

Overall Freq. Stability
J(*): ± 20 ppm
R: ± 25 ppm
K: ± 30 ppm
H: ± 35 ppm
B: ± 40 ppm
C: ± 50 ppm

*: Temp options I, D, E, and -10°C to +70°C only

Packaging
Blank: Bulk
T: 1000pcs/Reel

ABRACON IS ISO9001:2008 CERTIFIED



ABRACON CORPORATION

Visit www.abracon.com for Terms & Conditions of Sale
30332 Esperanza, Rancho Santa Margarita, California 92688
tel 949-546-8000 | fax 949-546-8001 | www.abracon.com

Revised: 08.06.14

2.5V CMOS Compatible SMD Crystal Oscillator



3.2 x 2.5 x 1.2mm

ASE2 SERIES

Pb | RoHS / RoHS II Compliant

OUTLINE DRAWING:

Recommended land pattern

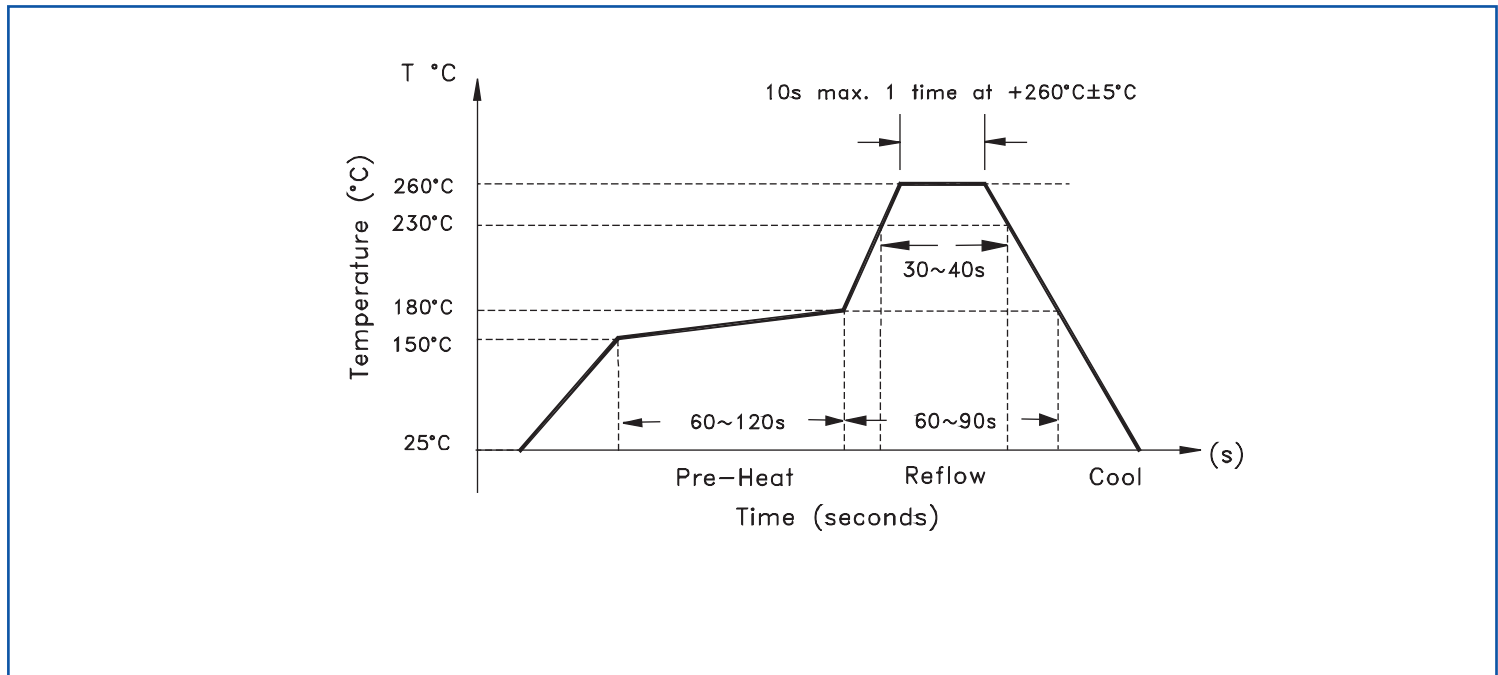
Note:

- The outline package configuration varies with frequency range. Electrical properties, pin configuration, and land pattern are the same.
- Recommend using an approximately 0.01μF bypass capacitor between Pin 2 and 4.

PIN	FUNCTION
1	Tri-state
2	GND/Case
3	Output
4	Vdd

Dimensions: Inches (mm)

REFLOW PROFILE



2.5V CMOS Compatible SMD Crystal Oscillator



3.2 x 2.5 x 1.2mm

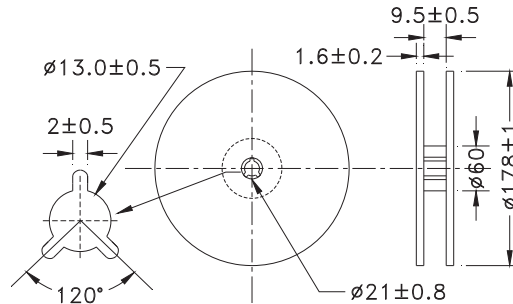
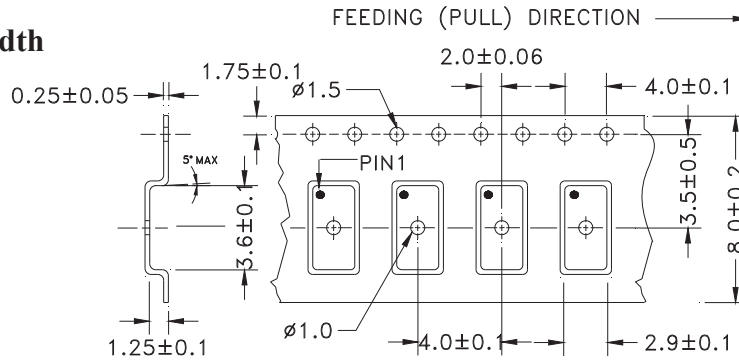
ASE2 SERIES

RoHS / RoHS II Compliant

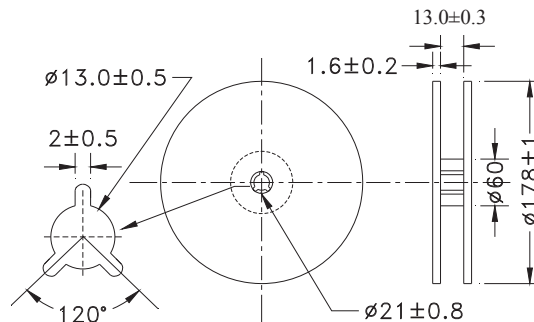
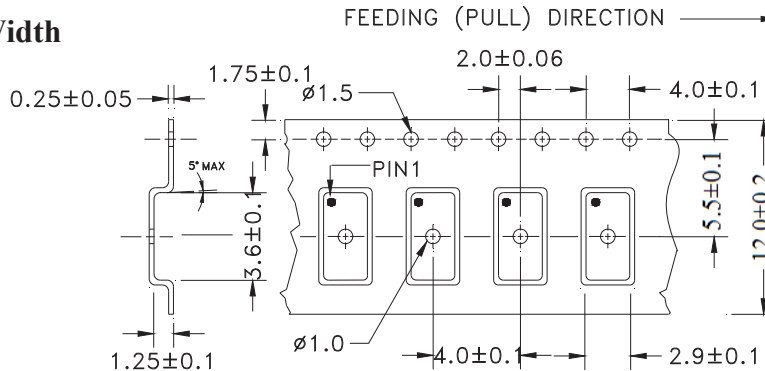
TAPE & REEL:

T: 1000pcs/reel

8mm Tape Width



12mm Tape Width



Dimensions: mm



Need a test socket for the ASE2 Series? To view compatible **PRECISION TEST & BURN-IN SOCKETS** or these parts, [click here](#).

ATTENTION: Abracon Corporation's products are COTS – Commercial-Off-The-Shelf products; suitable for Commercial, Industrial and, where designated, Automotive Applications. Abracon's products are not specifically designed for Military, Aviation, Aerospace, Life-dependant Medical applications or any application requiring high reliability where component failure could result in loss of life and/or property. For applications requiring high reliability and/or presenting an extreme operating environment, written consent and authorization from Abracon Corporation is required. Please contact Abracon Corporation for more information.

ABRACON IS
ISO9001:2008
CERTIFIED

Visit www.abracon.com for Terms & Conditions of Sale **Revised: 08.06.14**
30332 Esperanza, Rancho Santa Margarita, California 92688
tel 949-546-8000 | fax 949-546-8001 | www.abracon.com