



Chipsmall Limited consists of a professional team with an average of over 10 year of expertise in the distribution of electronic components. Based in Hongkong, we have already established firm and mutual-benefit business relationships with customers from,Europe,America and south Asia,supplying obsolete and hard-to-find components to meet their specific needs.

With the principle of "Quality Parts,Customers Priority,Honest Operation,and Considerate Service",our business mainly focus on the distribution of electronic components. Line cards we deal with include Microchip,ALPS,ROHM,Xilinx,Pulse,ON,Everlight and Freescale. Main products comprise IC,Modules,Potentiometer,IC Socket,Relay,Connector.Our parts cover such applications as commercial,industrial, and automotives areas.

We are looking forward to setting up business relationship with you and hope to provide you with the best service and solution. Let us make a better world for our industry!



## Contact us

Tel: +86-755-8981 8866 Fax: +86-755-8427 6832

Email & Skype: info@chipsmall.com Web: www.chipsmall.com

Address: A1208, Overseas Decoration Building, #122 Zhenhua RD., Futian, Shenzhen, China



**SCREW-COVER, TYPE 1**

**INDUSTRY STANDARDS**

UL 50, 50E Listed; Type 1; File No. E27525  
 cUL Listed per CSA C22.2 No 40; Type 1; File No. E27525

NEMA/EEMAC Type 1  
 IEC 60529, IP30

**APPLICATION**

Use this enclosure in commercial and general industrial applications that require a junction or pull box. For flush installations, order flush covers and door frames separately.

**FEATURES**

- Unique keyhole screw slots in the cover
- Available with or without knockouts. Various sizes of easy-to-remove concentric knockouts on all four sides of standard boxes with knockouts.
- Optional flush-mounted door frame available
- Optional flush covers
- Flat, removable covers fastened with plated steel screws
- Provision for grounding
- Mounting holes on back of box

**SPECIFICATIONS**

- 16, 14 or 12 gauge steel or plated steel

**FINISH**

ANSI 61 gray polyester powder paint finish inside and out. Unless otherwise specified, all custom pull boxes are finished with ANSI 61 gray polyester powder paint.

**ACCESSORIES**

- Flush Covers
- Flush-Mount Door Frames
- Grounding Device
- Type 1 Locking Window Pull Box Accessory
- Touch-Up Paint

**BULLETIN: A90P1**

**Standard Product Screw-Cover Type 1 Pull Boxes with Knockouts**

| Catalog Number | AxBxC in.            | AxBxC mm        | Style      | Number of Cover Screws | Knockout Pattern Along "A" Sides | Knockout Pattern Along "B" Sides |
|----------------|----------------------|-----------------|------------|------------------------|----------------------------------|----------------------------------|
| ASE4X4X3       | 4.00 x 4.00 x 3.00   | 102 x 102 x 76  | Painted    | 2                      | B-C                              | B-C                              |
| ASG4X4X3       | 4.00 x 4.00 x 3.00   | 102 x 102 x 76  | Galvanized | 2                      | B-C                              | B-C                              |
| ASE6X6X3       | 6.00 x 6.00 x 3.00   | 152 x 152 x 76  | Painted    | 2                      | B-C-D                            | B-C-D                            |
| ASG6X6X3       | 6.00 x 6.00 x 3.00   | 152 x 152 x 76  | Galvanized | 2                      | B-C-D                            | B-C-D                            |
| ASE8X6X3       | 8.00 x 6.00 x 3.00   | 203 x 152 x 76  | Painted    | 2                      | F-G-H-I                          | B-C-D                            |
| ASG8X6X3       | 8.00 x 6.00 x 3.00   | 203 x 152 x 76  | Galvanized | 2                      | F-G-H-I                          | B-C-D                            |
| ASE16X14X3     | 16.00 x 14.00 x 3.00 | 406 x 356 x 76  | Painted    | 4                      | B-C-D-E-F-G-H                    | B-C-D-E-F-G-H                    |
| ASE18X14X3     | 18.00 x 14.00 x 3.00 | 457 x 356 x 76  | Painted    | 4                      | A-B-C-D-E-F-G-H-I                | B-C-D-E-F-G-H                    |
| ASE4X4X4       | 4.00 x 4.00 x 4.00   | 102 x 102 x 102 | Painted    | 2                      | B-C                              | B-C                              |
| ASG4X4X4       | 4.00 x 4.00 x 4.00   | 102 x 102 x 102 | Galvanized | 2                      | B-C                              | B-C                              |
| ASE6X4X4       | 6.00 x 4.00 x 4.00   | 152 x 102 x 102 | Painted    | 2                      | B-C-D                            | B-C                              |
| ASG6X4X4       | 6.00 x 4.00 x 4.00   | 152 x 102 x 102 | Galvanized | 2                      | B-C-D                            | B-C                              |
| ASE6X6X4       | 6.00 x 6.00 x 4.00   | 152 x 152 x 102 | Painted    | 2                      | B-C-D                            | B-C-D                            |
| ASG6X6X4       | 6.00 x 6.00 x 4.00   | 152 x 152 x 102 | Galvanized | 2                      | B-C-D                            | B-C-D                            |
| ASE8X6X4       | 8.00 x 6.00 x 4.00   | 203 x 152 x 102 | Painted    | 2                      | F-G-H-I                          | B-C-D                            |
| ASG8X6X4       | 8.00 x 6.00 x 4.00   | 203 x 152 x 102 | Galvanized | 2                      | F-G-H-I                          | B-C-D                            |
| ASE8X8X4       | 8.00 x 8.00 x 4.00   | 203 x 203 x 102 | Painted    | 4                      | F-G-H-I                          | F-G-H-I                          |
| ASG8X8X4       | 8.00 x 8.00 x 4.00   | 203 x 203 x 102 | Galvanized | 4                      | F-G-H-I                          | F-G-H-I                          |
| ASE10X8X4      | 10.00 x 8.00 x 4.00  | 254 x 203 x 102 | Painted    | 4                      | F-G-H-I                          | F-G-H-I                          |
| ASG10X8X4      | 10.00 x 8.00 x 4.00  | 254 x 203 x 102 | Galvanized | 4                      | F-G-H-I                          | F-G-H-I                          |
| ASE10X10X4     | 10.00 x 10.00 x 4.00 | 254 x 254 x 102 | Painted    | 4                      | F-G-H-I                          | C-D-E-F-G                        |
| ASG10X10X4     | 10.00 x 10.00 x 4.00 | 254 x 254 x 102 | Galvanized | 4                      | F-G-H-I                          | C-D-E-F-G                        |
| ASE12X8X4      | 12.00 x 8.00 x 4.00  | 305 x 203 x 102 | Painted    | 4                      | C-D-E-F-G                        | F-G-H-I                          |
| ASG12X8X4      | 12.00 x 8.00 x 4.00  | 305 x 203 x 102 | Galvanized | 4                      | C-D-E-F-G                        | F-G-H-I                          |
| ASE12X10X4     | 12.00 x 10.00 x 4.00 | 305 x 254 x 102 | Painted    | 4                      | C-D-E-F-G                        | C-D-E-F-G                        |
| ASG12X10X4     | 12.00 x 10.00 x 4.00 | 305 x 254 x 102 | Galvanized | 4                      | C-D-E-F-G                        | C-D-E-F-G                        |
| ASE12X12X4     | 12.00 x 12.00 x 4.00 | 305 x 305 x 102 | Painted    | 4                      | C-D-E-F-G                        | C-D-E-F-G                        |
| ASG12X12X4     | 12.00 x 12.00 x 4.00 | 305 x 305 x 102 | Galvanized | 4                      | C-D-E-F-G                        | C-D-E-F-G                        |
| ASE16X12X4     | 16.00 x 12.00 x 4.00 | 406 x 305 x 102 | Painted    | 4                      | B-C-D-E-F-G-H                    | C-D-E-F-G                        |
| ASG16X12X4     | 16.00 x 12.00 x 4.00 | 406 x 305 x 102 | Galvanized | 4                      | B-C-D-E-F-G-H                    | C-D-E-F-G                        |
| ASE18X12X4     | 18.00 x 12.00 x 4.00 | 457 x 305 x 102 | Painted    | 4                      | A-B-C-D-E-F-G-H-I                | C-D-E-F-G                        |
| ASG18X12X4     | 18.00 x 12.00 x 4.00 | 457 x 305 x 102 | Galvanized | 4                      | A-B-C-D-E-F-G-H-I                | C-D-E-F-G                        |
| ASE18X18X4     | 18.00 x 18.00 x 4.00 | 457 x 457 x 102 | Painted    | 4                      | A-B-C-D-E-F-G-H-I                | A-B-C-D-E-F-G-H-I                |
| ASG18X18X4     | 18.00 x 18.00 x 4.00 | 457 x 457 x 102 | Galvanized | 4                      | A-B-C-D-E-F-G-H-I                | A-B-C-D-E-F-G-H-I                |
| ASE24X12X4     | 24.00 x 12.00 x 4.00 | 610 x 305 x 102 | Painted    | 4                      | A-B-C-D-E-F-G-H-I                | C-D-E-F-G                        |
| ASG24X12X4     | 24.00 x 12.00 x 4.00 | 610 x 305 x 102 | Galvanized | 4                      | A-B-C-D-E-F-G-H-I                | C-D-E-F-G                        |
| ASE24X24X4     | 24.00 x 24.00 x 4.00 | 610 x 610 x 102 | Painted    | 4                      | A-B-C-D-E-F-G-H-I                | A-B-C-D-E-F-G-H-I                |
| ASG24X24X4     | 24.00 x 24.00 x 4.00 | 610 x 610 x 102 | Galvanized | 4                      | A-B-C-D-E-F-G-H-I                | A-B-C-D-E-F-G-H-I                |
| ASE30X24X4     | 30.00 x 24.00 x 4.00 | 762 x 610 x 102 | Painted    | 6                      | A-B-C-D-E-F-G-H-I                | A-B-C-D-E-F-G-H-I                |

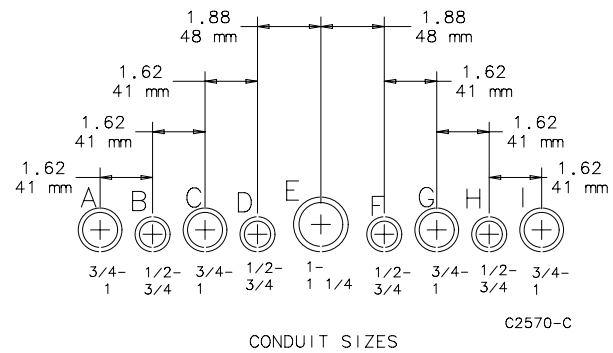
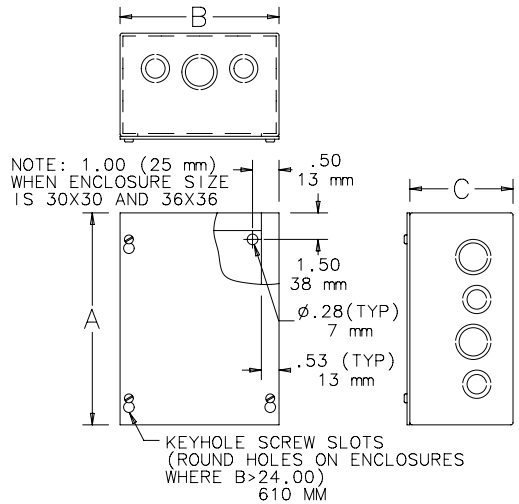
| Catalog Number | AxBxC in.             | AxBxC mm        | Style      | Number of Cover Screws | Knockout Pattern Along "A" Sides | Knockout Pattern Along "B" Sides |
|----------------|-----------------------|-----------------|------------|------------------------|----------------------------------|----------------------------------|
| ASE6X6X6       | 6.00 x 6.00 x 6.00    | 152 x 152 x 152 | Painted    | 2                      | B-C-D                            | B-C-D                            |
| ASG6X6X6       | 6.00 x 6.00 x 6.00    | 152 x 152 x 152 | Galvanized | 2                      | B-C-D                            | B-C-D                            |
| ASE8X6X6       | 8.00 x 6.00 x 6.00    | 203 x 152 x 152 | Painted    | 4                      | F-G-H-I                          | B-C-D                            |
| ASE8X8X6       | 8.00 x 8.00 x 6.00    | 203 x 203 x 152 | Painted    | 4                      | F-G-H-I                          | F-G-H-I                          |
| ASG8X8X6       | 8.00 x 8.00 x 6.00    | 203 x 203 x 152 | Galvanized | 4                      | F-G-H-I                          | F-G-H-I                          |
| ASE10X8X6      | 10.00 x 8.00 x 6.00   | 254 x 203 x 152 | Painted    | 4                      | F-G-H-I                          | F-G-H-I                          |
| ASG10X8X6      | 10.00 x 8.00 x 6.00   | 254 x 203 x 152 | Galvanized | 4                      | F-G-H-I                          | F-G-H-I                          |
| ASE10X10X6     | 10.00 x 10.00 x 6.00  | 254 x 254 x 152 | Painted    | 4                      | F-G-H-I                          | C-D-E-F-G                        |
| ASG10X10X6     | 10.00 x 10.00 x 6.00  | 254 x 254 x 152 | Galvanized | 4                      | F-G-H-I                          | C-D-E-F-G                        |
| ASE12X10X6     | 12.00 x 10.00 x 6.00  | 305 x 254 x 152 | Painted    | 4                      | C-D-E-F-G                        | C-D-E-F-G                        |
| ASG12X10X6     | 12.00 x 10.00 x 6.00  | 305 x 254 x 152 | Galvanized | 4                      | C-D-E-F-G                        | C-D-E-F-G                        |
| ASE12X12X6     | 12.00 x 12.00 x 6.00  | 305 x 305 x 152 | Painted    | 4                      | C-D-E-F-G                        | C-D-E-F-G                        |
| ASG12X12X6     | 12.00 x 12.00 x 6.00  | 305 x 305 x 152 | Galvanized | 4                      | C-D-E-F-G                        | C-D-E-F-G                        |
| ASE16X12X6     | 16.00 x 12.00 x 6.00  | 406 x 305 x 152 | Painted    | 4                      | B-C-D-E-F-G-H                    | C-D-E-F-G                        |
| ASG16X12X6     | 16.00 x 12.00 x 6.00  | 406 x 305 x 152 | Galvanized | 4                      | B-C-D-E-F-G-H                    | C-D-E-F-G                        |
| ASE16X16X6     | 16.00 x 16.00 x 6.00  | 406 x 406 x 152 | Painted    | 4                      | B-C-D-E-F-G-H                    | B-C-D-E-F-G-H                    |
| ASG16X16X6     | 16.00 x 16.00 x 6.00  | 406 x 406 x 152 | Galvanized | 4                      | B-C-D-E-F-G-H                    | B-C-D-E-F-G-H                    |
| ASE18X12X6     | 18.00 x 12.00 x 6.00  | 457 x 305 x 152 | Painted    | 4                      | A-B-C-D-E-F-G-H-I                | C-D-E-F-G                        |
| ASG18X12X6     | 18.00 x 12.00 x 6.00  | 457 x 305 x 152 | Galvanized | 4                      | A-B-C-D-E-F-G-H-I                | C-D-E-F-G                        |
| ASE18X18X6     | 18.00 x 18.00 x 6.00  | 457 x 457 x 152 | Painted    | 4                      | A-B-C-D-E-F-G-H-I                | A-B-C-D-E-F-G-H-I                |
| ASG18X18X6     | 18.00 x 18.00 x 6.00  | 457 x 457 x 152 | Galvanized | 4                      | A-B-C-D-E-F-G-H-I                | A-B-C-D-E-F-G-H-I                |
| ASE24X18X6     | 24.00 x 18.00 x 6.00  | 610 x 457 x 152 | Painted    | 4                      | A-B-C-D-E-F-G-H-I                | A-B-C-D-E-F-G-H-I                |
| ASG24X18X6     | 24.00 x 18.00 x 6.00  | 610 x 457 x 152 | Galvanized | 4                      | A-B-C-D-E-F-G-H-I                | A-B-C-D-E-F-G-H-I                |
| ASE24X24X6     | 24.00 x 24.00 x 6.00  | 610 x 610 x 152 | Painted    | 4                      | A-B-C-D-E-F-G-H-I                | A-B-C-D-E-F-G-H-I                |
| ASG24X24X6     | 24.00 x 24.00 x 6.00  | 610 x 610 x 152 | Galvanized | 4                      | A-B-C-D-E-F-G-H-I                | A-B-C-D-E-F-G-H-I                |
| ASE30X24X6     | 30.00 x 24.00 x 6.00  | 762 x 610 x 152 | Painted    | 6                      | A-B-C-D-E-F-G-H-I                | A-B-C-D-E-F-G-H-I                |
| ASG30X24X6     | 30.00 x 24.00 x 6.00  | 762 x 610 x 152 | Galvanized | 6                      | A-B-C-D-E-F-G-H-I                | A-B-C-D-E-F-G-H-I                |
| ASE36X24X6     | 36.00 x 24.00 x 6.00  | 914 x 610 x 152 | Painted    | 6                      | A-B-C-D-E-F-G-H-I                | A-B-C-D-E-F-G-H-I                |
| ASE8X8X8       | 8.00 x 8.00 x 8.00    | 203 x 203 x 203 | Painted    | 4                      | F-G-H-I                          | F-G-H-I                          |
| ASE12X12X8     | 12.00 x 12.00 x 8.00  | 305 x 305 x 203 | Painted    | 4                      | C-D-E-F-G                        | C-D-E-F-G                        |
| ASG12X12X8     | 12.00 x 12.00 x 8.00  | 305 x 305 x 203 | Galvanized | 4                      | C-D-E-F-G                        | C-D-E-F-G                        |
| ASE16X12X8     | 16.00 x 12.00 x 8.00  | 406 x 305 x 203 | Painted    | 4                      | B-C-D-E-F-G-H                    | C-D-E-F-G                        |
| ASG16X12X8     | 16.00 x 12.00 x 8.00  | 406 x 305 x 203 | Galvanized | 4                      | B-C-D-E-F-G-H                    | C-D-E-F-G                        |
| ASE18X12X8     | 18.00 x 12.00 x 8.00  | 457 x 305 x 203 | Painted    | 4                      | A-B-C-D-E-F-G-H-I                | C-D-E-F-G                        |
| ASG18X12X8     | 18.00 x 12.00 x 8.00  | 457 x 305 x 203 | Galvanized | 4                      | A-B-C-D-E-F-G-H-I                | C-D-E-F-G                        |
| ASE24X12X8     | 24.00 x 12.00 x 8.00  | 610 x 305 x 203 | Painted    | 4                      | A-B-C-D-E-F-G-H-I                | C-D-E-F-G                        |
| ASG24X12X8     | 24.00 x 12.00 x 8.00  | 610 x 305 x 203 | Galvanized | 4                      | A-B-C-D-E-F-G-H-I                | C-D-E-F-G                        |
| ASE24X24X8     | 24.00 x 24.00 x 8.00  | 610 x 610 x 203 | Painted    | 4                      | A-B-C-D-E-F-G-H-I                | A-B-C-D-E-F-G-H-I                |
| ASG24X24X8     | 24.00 x 24.00 x 8.00  | 610 x 610 x 203 | Galvanized | 4                      | A-B-C-D-E-F-G-H-I                | A-B-C-D-E-F-G-H-I                |
| ASE30X24X8     | 30.00 x 24.00 x 8.00  | 762 x 610 x 203 | Painted    | 6                      | A-B-C-D-E-F-G-H-I                | A-B-C-D-E-F-G-H-I                |
| ASG30X24X8     | 30.00 x 24.00 x 8.00  | 762 x 610 x 203 | Galvanized | 6                      | A-B-C-D-E-F-G-H-I                | A-B-C-D-E-F-G-H-I                |
| ASE18X12X10    | 18.00 x 12.00 x 10.00 | 457 x 305 x 254 | Painted    | 4                      | A-B-C-D-E-F-G-H-I                | C-D-E-F-G                        |
| ASG18X12X10    | 18.00 x 12.00 x 10.00 | 457 x 305 x 254 | Galvanized | 4                      | A-B-C-D-E-F-G-H-I                | C-D-E-F-G                        |
| ASE18X18X10    | 18.00 x 18.00 x 10.00 | 457 x 457 x 254 | Painted    | 4                      | A-B-C-D-E-F-G-H-I                | A-B-C-D-E-F-G-H-I                |
| ASG18X18X10    | 18.00 x 18.00 x 10.00 | 457 x 457 x 254 | Galvanized | 4                      | A-B-C-D-E-F-G-H-I                | A-B-C-D-E-F-G-H-I                |
| ASE24X24X10    | 24.00 x 24.00 x 10.00 | 610 x 610 x 254 | Painted    | 4                      | A-B-C-D-E-F-G-H-I                | A-B-C-D-E-F-G-H-I                |
| ASG24X24X10    | 24.00 x 24.00 x 10.00 | 610 x 610 x 254 | Galvanized | 4                      | A-B-C-D-E-F-G-H-I                | A-B-C-D-E-F-G-H-I                |
| ASE36X24X10    | 36.00 x 24.00 x 10.00 | 914 x 610 x 254 | Painted    | 6                      | A-B-C-D-E-F-G-H-I                | A-B-C-D-E-F-G-H-I                |
| ASG36X24X10    | 36.00 x 24.00 x 10.00 | 914 x 610 x 254 | Galvanized | 6                      | A-B-C-D-E-F-G-H-I                | A-B-C-D-E-F-G-H-I                |
| ASE24X12X12    | 24.00 x 12.00 x 12.00 | 610 x 305 x 305 | Painted    | 4                      | A-B-C-D-E-F-G-H-I                | C-D-E-F-G                        |
| ASG24X12X12    | 24.00 x 12.00 x 12.00 | 610 x 305 x 305 | Galvanized | 4                      | A-B-C-D-E-F-G-H-I                | C-D-E-F-G                        |
| ASE18X18X12    | 18.00 x 18.00 x 12.00 | 457 x 457 x 305 | Painted    | 4                      | A-B-C-D-E-F-G-H-I                | A-B-C-D-E-F-G-H-I                |
| ASG18X18X12    | 18.00 x 18.00 x 12.00 | 457 x 457 x 305 | Galvanized | 4                      | A-B-C-D-E-F-G-H-I                | A-B-C-D-E-F-G-H-I                |
| ASE24X24X12    | 24.00 x 24.00 x 12.00 | 610 x 610 x 305 | Painted    | 4                      | A-B-C-D-E-F-G-H-I                | A-B-C-D-E-F-G-H-I                |
| ASG24X24X12    | 24.00 x 24.00 x 12.00 | 610 x 610 x 305 | Galvanized | 4                      | A-B-C-D-E-F-G-H-I                | A-B-C-D-E-F-G-H-I                |
| ASE30X24X12    | 30.00 x 24.00 x 12.00 | 762 x 610 x 305 | Painted    | 6                      | A-B-C-D-E-F-G-H-I                | A-B-C-D-E-F-G-H-I                |
| ASG30X24X12    | 30.00 x 24.00 x 12.00 | 762 x 610 x 305 | Galvanized | 6                      | A-B-C-D-E-F-G-H-I                | A-B-C-D-E-F-G-H-I                |

Standard Product **Screw-Cover Type 1 Pull Boxes without Knockouts**

| Catalog Number | AxBxC in.            | AxBxC mm        | Style      | Number of Cover Screws |
|----------------|----------------------|-----------------|------------|------------------------|
| ASE4X4X3NK     | 4.00 x 4.00 x 3.00   | 102 x 102 x 76  | Painted    | 2                      |
| ASG4X4X3NK     | 4.00 x 4.00 x 3.00   | 102 x 102 x 76  | Galvanized | 2                      |
| ASE6X6X3NK     | 6.00 x 6.00 x 3.00   | 152 x 152 x 76  | Painted    | 2                      |
| ASG6X6X3NK     | 6.00 x 6.00 x 3.00   | 152 x 152 x 76  | Galvanized | 2                      |
| ASE8X6X3NK     | 8.00 x 6.00 x 3.00   | 203 x 152 x 76  | Painted    | 2                      |
| ASG8X6X3NK     | 8.00 x 6.00 x 3.00   | 203 x 152 x 76  | Galvanized | 2                      |
| ASE16X14X3NK   | 16.00 x 14.00 x 3.00 | 406 x 356 x 76  | Painted    | 4                      |
| ASG16X14X3NK   | 16.00 x 14.00 x 3.00 | 406 x 356 x 76  | Galvanized | 4                      |
| ASE20X14X3NK   | 20.00 x 14.00 x 3.00 | 508 x 356 x 76  | Painted    | 4                      |
| ASG20X14X3NK   | 20.00 x 14.00 x 3.00 | 508 x 356 x 76  | Galvanized | 4                      |
| ASE4X4X4NK     | 4.00 x 4.00 x 4.00   | 102 x 102 x 102 | Painted    | 2                      |
| ASG4X4X4NK     | 4.00 x 4.00 x 4.00   | 102 x 102 x 102 | Galvanized | 2                      |
| ASE6X6X4NK     | 6.00 x 6.00 x 4.00   | 152 x 152 x 102 | Painted    | 2                      |
| ASG6X6X4NK     | 6.00 x 6.00 x 4.00   | 152 x 152 x 102 | Galvanized | 2                      |
| ASE8X6X4NK     | 8.00 x 6.00 x 4.00   | 203 x 152 x 102 | Painted    | 2                      |
| ASG8X6X4NK     | 8.00 x 6.00 x 4.00   | 203 x 152 x 102 | Galvanized | 2                      |
| ASE8X8X4NK     | 8.00 x 8.00 x 4.00   | 203 x 203 x 102 | Painted    | 4                      |
| ASG8X8X4NK     | 8.00 x 8.00 x 4.00   | 203 x 203 x 102 | Galvanized | 4                      |
| ASE10X6X4NK    | 10.00 x 6.00 x 4.00  | 254 x 152 x 102 | Painted    | 4                      |
| ASG10X6X4NK    | 10.00 x 6.00 x 4.00  | 254 x 152 x 102 | Galvanized | 4                      |
| ASE10X8X4NK    | 10.00 x 8.00 x 4.00  | 254 x 203 x 102 | Painted    | 4                      |
| ASG10X8X4NK    | 10.00 x 8.00 x 4.00  | 254 x 203 x 102 | Galvanized | 4                      |
| ASE10X10X4NK   | 10.00 x 10.00 x 4.00 | 254 x 254 x 102 | Painted    | 4                      |
| ASG10X10X4NK   | 10.00 x 10.00 x 4.00 | 254 x 254 x 102 | Galvanized | 4                      |
| ASE12X6X4NK    | 12.00 x 6.00 x 4.00  | 305 x 152 x 102 | Painted    | 4                      |
| ASG12X6X4NK    | 12.00 x 6.00 x 4.00  | 305 x 152 x 102 | Galvanized | 4                      |

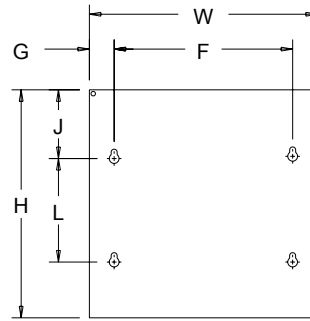
| Catalog Number | AxBxC in.            | AxBxC mm        | Style      | Number of Cover Screws |
|----------------|----------------------|-----------------|------------|------------------------|
| ASE12X8X4NK    | 12.00 x 8.00 x 4.00  | 305 x 203 x 102 | Painted    | 4                      |
| ASG12X8X4NK    | 12.00 x 8.00 x 4.00  | 305 x 203 x 102 | Galvanized | 4                      |
| ASE12X10X4NK   | 12.00 x 10.00 x 4.00 | 305 x 254 x 102 | Painted    | 4                      |
| ASG12X10X4NK   | 12.00 x 10.00 x 4.00 | 305 x 254 x 102 | Galvanized | 4                      |
| ASE12X12X4NK   | 12.00 x 12.00 x 4.00 | 305 x 305 x 102 | Painted    | 4                      |
| ASG12X12X4NK   | 12.00 x 12.00 x 4.00 | 305 x 305 x 102 | Galvanized | 4                      |
| ASE15X15X4NK   | 15.00 x 15.00 x 4.00 | 381 x 381 x 102 | Painted    | 4                      |
| ASG15X15X4NK   | 15.00 x 15.00 x 4.00 | 381 x 381 x 102 | Galvanized | 4                      |
| ASE16X12X4NK   | 16.00 x 12.00 x 4.00 | 406 x 305 x 102 | Painted    | 4                      |
| ASG16X12X4NK   | 16.00 x 12.00 x 4.00 | 406 x 305 x 102 | Galvanized | 4                      |
| ASE18X12X4NK   | 18.00 x 12.00 x 4.00 | 457 x 305 x 102 | Painted    | 4                      |
| ASG18X12X4NK   | 18.00 x 12.00 x 4.00 | 457 x 305 x 102 | Galvanized | 4                      |
| ASE18X15X4NK   | 18.00 x 15.00 x 4.00 | 457 x 381 x 102 | Painted    | 4                      |
| ASE18X18X4NK   | 18.00 x 18.00 x 4.00 | 457 x 457 x 102 | Painted    | 4                      |
| ASG18X18X4NK   | 18.00 x 18.00 x 4.00 | 457 x 457 x 102 | Galvanized | 4                      |
| ASE24X12X4NK   | 24.00 x 12.00 x 4.00 | 610 x 305 x 102 | Painted    | 4                      |
| ASE24X18X4NK   | 24.00 x 18.00 x 4.00 | 610 x 457 x 102 | Painted    | 4                      |
| ASG24X18X4NK   | 24.00 x 18.00 x 4.00 | 610 x 457 x 102 | Galvanized | 4                      |
| ASE24X24X4NK   | 24.00 x 24.00 x 4.00 | 610 x 610 x 102 | Painted    | 4                      |
| ASG24X24X4NK   | 24.00 x 24.00 x 4.00 | 610 x 610 x 102 | Galvanized | 4                      |
| ASE30X24X4NK   | 30.00 x 24.00 x 4.00 | 762 x 610 x 102 | Painted    | 6                      |
| ASE30X30X4NK   | 30.00 x 30.00 x 4.00 | 762 x 762 x 102 | Painted    | 8                      |
| ASE6X6X6NK     | 6.00 x 6.00 x 6.00   | 152 x 152 x 152 | Painted    | 2                      |
| ASG6X6X6NK     | 6.00 x 6.00 x 6.00   | 152 x 152 x 152 | Galvanized | 2                      |
| ASE8X6X6NK     | 8.00 x 6.00 x 6.00   | 203 x 152 x 152 | Painted    | 2                      |
| ASG8X6X6NK     | 8.00 x 6.00 x 6.00   | 203 x 152 x 152 | Galvanized | 2                      |
| ASE8X8X6NK     | 8.00 x 8.00 x 6.00   | 203 x 203 x 152 | Painted    | 4                      |
| ASG8X8X6NK     | 8.00 x 8.00 x 6.00   | 203 x 203 x 152 | Galvanized | 4                      |
| ASE10X8X6NK    | 10.00 x 8.00 x 6.00  | 254 x 203 x 152 | Painted    | 4                      |
| ASG10X8X6NK    | 10.00 x 8.00 x 6.00  | 254 x 203 x 152 | Galvanized | 4                      |
| ASE10X10X6NK   | 10.00 x 10.00 x 6.00 | 254 x 254 x 152 | Painted    | 4                      |
| ASG10X10X6NK   | 10.00 x 10.00 x 6.00 | 254 x 254 x 152 | Galvanized | 4                      |
| ASE12X6X6NK    | 12.00 x 6.00 x 6.00  | 305 x 152 x 152 | Painted    | 4                      |
| ASE12X8X6NK    | 12.00 x 8.00 x 6.00  | 305 x 203 x 152 | Painted    | 4                      |
| ASG12X8X6NK    | 12.00 x 8.00 x 6.00  | 305 x 203 x 152 | Galvanized | 4                      |
| ASE12X10X6NK   | 12.00 x 10.00 x 6.00 | 305 x 254 x 152 | Painted    | 4                      |
| ASG12X10X6NK   | 12.00 x 10.00 x 6.00 | 305 x 254 x 152 | Galvanized | 4                      |
| ASE12X12X6NK   | 12.00 x 12.00 x 6.00 | 305 x 305 x 152 | Painted    | 4                      |
| ASG12X12X6NK   | 12.00 x 12.00 x 6.00 | 305 x 305 x 152 | Galvanized | 4                      |
| ASE16X12X6NK   | 16.00 x 12.00 x 6.00 | 406 x 305 x 152 | Painted    | 4                      |
| ASG16X12X6NK   | 16.00 x 12.00 x 6.00 | 406 x 305 x 152 | Galvanized | 4                      |
| ASE16X16X6NK   | 16.00 x 16.00 x 6.00 | 406 x 406 x 152 | Painted    | 4                      |
| ASG16X16X6NK   | 16.00 x 16.00 x 6.00 | 406 x 406 x 152 | Galvanized | 4                      |
| ASE18X12X6NK   | 18.00 x 12.00 x 6.00 | 457 x 305 x 152 | Painted    | 4                      |
| ASG18X12X6NK   | 18.00 x 12.00 x 6.00 | 457 x 305 x 152 | Galvanized | 4                      |
| ASE18X18X6NK   | 18.00 x 18.00 x 6.00 | 457 x 457 x 152 | Painted    | 4                      |
| ASG18X18X6NK   | 18.00 x 18.00 x 6.00 | 457 x 457 x 152 | Galvanized | 4                      |
| ASE24X12X6NK   | 24.00 x 12.00 x 6.00 | 610 x 305 x 152 | Painted    | 4                      |
| ASG24X12X6NK   | 24.00 x 12.00 x 6.00 | 610 x 305 x 152 | Galvanized | 4                      |
| ASE24X18X6NK   | 24.00 x 18.00 x 6.00 | 610 x 457 x 152 | Painted    | 4                      |
| ASG24X18X6NK   | 24.00 x 18.00 x 6.00 | 610 x 457 x 152 | Galvanized | 4                      |
| ASE24X20X6NK   | 24.00 x 20.00 x 6.00 | 610 x 508 x 152 | Painted    | 4                      |
| ASG24X20X6NK   | 24.00 x 20.00 x 6.00 | 610 x 508 x 152 | Galvanized | 4                      |
| ASE24X24X6NK   | 24.00 x 24.00 x 6.00 | 610 x 610 x 152 | Painted    | 4                      |
| ASG24X24X6NK   | 24.00 x 24.00 x 6.00 | 610 x 610 x 152 | Galvanized | 4                      |
| ASE30X24X6NK   | 30.00 x 24.00 x 6.00 | 762 x 610 x 152 | Painted    | 6                      |
| ASG30X24X6NK   | 30.00 x 24.00 x 6.00 | 762 x 610 x 152 | Galvanized | 6                      |
| ASE30X30X6NK   | 30.00 x 30.00 x 6.00 | 762 x 762 x 152 | Painted    | 8                      |
| ASG30X30X6NK   | 30.00 x 30.00 x 6.00 | 762 x 762 x 152 | Galvanized | 8                      |
| ASE36X24X6NK   | 36.00 x 24.00 x 6.00 | 914 x 610 x 152 | Painted    | 6                      |
| ASG36X24X6NK   | 36.00 x 24.00 x 6.00 | 914 x 610 x 152 | Galvanized | 6                      |
| ASE36X30X6NK   | 36.00 x 30.00 x 6.00 | 914 x 762 x 152 | Painted    | 8                      |
| ASG36X30X6NK   | 36.00 x 30.00 x 6.00 | 914 x 762 x 152 | Galvanized | 8                      |
| ASE36X36X6NK   | 36.00 x 36.00 x 6.00 | 914 x 914 x 152 | Painted    | 8                      |
| ASG36X36X6NK   | 36.00 x 36.00 x 6.00 | 914 x 914 x 152 | Galvanized | 8                      |
| ASE8X8X8NK     | 8.00 x 8.00 x 8.00   | 203 x 203 x 203 | Painted    | 4                      |
| ASG8X8X8NK     | 8.00 x 8.00 x 8.00   | 203 x 203 x 203 | Galvanized | 4                      |
| ASE10X10X8NK   | 10.00 x 10.00 x 8.00 | 254 x 254 x 203 | Painted    | 4                      |
| ASG10X10X8NK   | 10.00 x 10.00 x 8.00 | 254 x 254 x 203 | Galvanized | 4                      |
| ASE12X10X8NK   | 12.00 x 10.00 x 8.00 | 305 x 254 x 203 | Painted    | 4                      |
| ASG12X10X8NK   | 12.00 x 10.00 x 8.00 | 305 x 254 x 203 | Galvanized | 4                      |
| ASE12X12X8NK   | 12.00 x 12.00 x 8.00 | 305 x 305 x 203 | Painted    | 4                      |
| ASG12X12X8NK   | 12.00 x 12.00 x 8.00 | 305 x 305 x 203 | Galvanized | 4                      |
| ASE16X12X8NK   | 16.00 x 12.00 x 8.00 | 406 x 305 x 203 | Painted    | 4                      |
| ASG16X12X8NK   | 16.00 x 12.00 x 8.00 | 406 x 305 x 203 | Galvanized | 4                      |
| ASE18X12X8NK   | 18.00 x 12.00 x 8.00 | 457 x 305 x 203 | Painted    | 4                      |
| ASG18X12X8NK   | 18.00 x 12.00 x 8.00 | 457 x 305 x 203 | Galvanized | 4                      |
| ASE18X18X8NK   | 18.00 x 18.00 x 8.00 | 457 x 457 x 203 | Painted    | 4                      |
| ASG18X18X8NK   | 18.00 x 18.00 x 8.00 | 457 x 457 x 203 | Galvanized | 4                      |
| ASE24X12X8NK   | 24.00 x 12.00 x 8.00 | 610 x 305 x 203 | Painted    | 4                      |
| ASG24X12X8NK   | 24.00 x 12.00 x 8.00 | 610 x 305 x 203 | Galvanized | 4                      |

| Catalog Number | AxBxC in.             | AxBxC mm          | Style      | Number of Cover Screws |
|----------------|-----------------------|-------------------|------------|------------------------|
| ASE24X18X8NK   | 24.00 x 18.00 x 8.00  | 610 x 457 x 203   | Painted    | 4                      |
| ASG24X18X8NK   | 24.00 x 18.00 x 8.00  | 610 x 457 x 203   | Galvanized | 4                      |
| ASE24X20X8NK   | 24.00 x 20.00 x 8.00  | 610 x 508 x 203   | Painted    | 4                      |
| ASG24X20X8NK   | 24.00 x 20.00 x 8.00  | 610 x 508 x 203   | Galvanized | 4                      |
| ASE24X24X8NK   | 24.00 x 24.00 x 8.00  | 610 x 610 x 203   | Painted    | 4                      |
| ASG24X24X8NK   | 24.00 x 24.00 x 8.00  | 610 x 610 x 203   | Galvanized | 4                      |
| ASE30X24X8NK   | 30.00 x 24.00 x 8.00  | 762 x 610 x 203   | Painted    | 6                      |
| ASG30X24X8NK   | 30.00 x 24.00 x 8.00  | 762 x 610 x 203   | Galvanized | 6                      |
| ASE30X30X8NK   | 30.00 x 30.00 x 8.00  | 762 x 762 x 203   | Painted    | 8                      |
| ASG30X30X8NK   | 30.00 x 30.00 x 8.00  | 762 x 762 x 203   | Galvanized | 8                      |
| ASE36X24X8NK   | 36.00 x 24.00 x 8.00  | 914 x 610 x 203   | Painted    | 6                      |
| ASG36X24X8NK   | 36.00 x 24.00 x 8.00  | 914 x 610 x 203   | Galvanized | 6                      |
| ASE36X36X8NK   | 36.00 x 36.00 x 8.00  | 914 x 914 x 203   | Painted    | 8                      |
| ASG36X36X8NK   | 36.00 x 36.00 x 8.00  | 914 x 914 x 203   | Galvanized | 8                      |
| ASE12X12X10NK  | 12.00 x 12.00 x 10.00 | 305 x 305 x 254   | Painted    | 4                      |
| ASG12X12X10NK  | 12.00 x 12.00 x 10.00 | 305 x 305 x 254   | Galvanized | 4                      |
| ASE18X12X10NK  | 18.00 x 12.00 x 10.00 | 457 x 305 x 254   | Painted    | 4                      |
| ASG18X12X10NK  | 18.00 x 12.00 x 10.00 | 457 x 305 x 254   | Galvanized | 4                      |
| ASE18X18X10NK  | 18.00 x 18.00 x 10.00 | 457 x 457 x 254   | Painted    | 4                      |
| ASG18X18X10NK  | 18.00 x 18.00 x 10.00 | 457 x 457 x 254   | Galvanized | 4                      |
| ASE24X12X10NK  | 24.00 x 12.00 x 10.00 | 610 x 305 x 254   | Painted    | 4                      |
| ASG24X12X10NK  | 24.00 x 12.00 x 10.00 | 610 x 305 x 254   | Galvanized | 4                      |
| ASE24X18X10NK  | 24.00 x 18.00 x 10.00 | 610 x 457 x 254   | Painted    | 4                      |
| ASG24X18X10NK  | 24.00 x 18.00 x 10.00 | 610 x 457 x 254   | Galvanized | 4                      |
| ASE24X24X10NK  | 24.00 x 24.00 x 10.00 | 610 x 610 x 254   | Painted    | 4                      |
| ASG24X24X10NK  | 24.00 x 24.00 x 10.00 | 610 x 610 x 254   | Galvanized | 4                      |
| ASE30X24X10NK  | 30.00 x 24.00 x 10.00 | 762 x 610 x 254   | Painted    | 6                      |
| ASG30X24X10NK  | 30.00 x 24.00 x 10.00 | 762 x 610 x 254   | Galvanized | 6                      |
| ASE30X30X10NK  | 30.00 x 30.00 x 10.00 | 762 x 762 x 254   | Painted    | 8                      |
| ASG30X30X10NK  | 30.00 x 30.00 x 10.00 | 762 x 762 x 254   | Galvanized | 8                      |
| ASE36X24X10NK  | 36.00 x 24.00 x 10.00 | 914 x 610 x 254   | Painted    | 6                      |
| ASG36X24X10NK  | 36.00 x 24.00 x 10.00 | 914 x 610 x 254   | Galvanized | 6                      |
| ASE36X36X10NK  | 36.00 x 36.00 x 10.00 | 914 x 914 x 254   | Painted    | 8                      |
| ASG36X36X10NK  | 36.00 x 36.00 x 10.00 | 914 x 914 x 254   | Galvanized | 8                      |
| ASE12X12X12NK  | 12.00 x 12.00 x 12.00 | 305 x 305 x 305   | Painted    | 4                      |
| ASG12X12X12NK  | 12.00 x 12.00 x 12.00 | 305 x 305 x 305   | Galvanized | 4                      |
| ASE24X12X12NK  | 24.00 x 12.00 x 12.00 | 610 x 305 x 305   | Painted    | 4                      |
| ASG24X12X12NK  | 24.00 x 12.00 x 12.00 | 610 x 305 x 305   | Galvanized | 4                      |
| ASE18X18X12NK  | 18.00 x 18.00 x 12.00 | 457 x 457 x 305   | Painted    | 4                      |
| ASG18X18X12NK  | 18.00 x 18.00 x 12.00 | 457 x 457 x 305   | Galvanized | 4                      |
| ASE24X18X12NK  | 24.00 x 18.00 x 12.00 | 610 x 457 x 305   | Painted    | 4                      |
| ASG24X18X12NK  | 24.00 x 18.00 x 12.00 | 610 x 457 x 305   | Galvanized | 4                      |
| ASE24X24X12NK  | 24.00 x 24.00 x 12.00 | 610 x 610 x 305   | Painted    | 4                      |
| ASG24X24X12NK  | 24.00 x 24.00 x 12.00 | 610 x 610 x 305   | Galvanized | 4                      |
| ASE30X24X12NK  | 30.00 x 24.00 x 12.00 | 762 x 610 x 305   | Painted    | 6                      |
| ASG30X24X12NK  | 30.00 x 24.00 x 12.00 | 762 x 610 x 305   | Galvanized | 6                      |
| ASE30X30X12NK  | 30.00 x 30.00 x 12.00 | 762 x 762 x 305   | Painted    | 8                      |
| ASG30X30X12NK  | 30.00 x 30.00 x 12.00 | 762 x 762 x 305   | Galvanized | 8                      |
| ASE36X24X12NK  | 36.00 x 24.00 x 12.00 | 914 x 610 x 305   | Painted    | 6                      |
| ASG36X24X12NK  | 36.00 x 24.00 x 12.00 | 914 x 610 x 305   | Galvanized | 6                      |
| ASE36X36X12NK  | 36.00 x 36.00 x 12.00 | 914 x 914 x 305   | Painted    | 8                      |
| ASG36X36X12NK  | 36.00 x 36.00 x 12.00 | 914 x 914 x 305   | Galvanized | 8                      |
| ASE48X48X12NK  | 48.00 x 48.00 x 12.00 | 1219 x 1219 x 305 | Painted    | 12                     |
| ASG48X48X12NK  | 48.00 x 48.00 x 12.00 | 1219 x 1219 x 305 | Galvanized | 12                     |
| ASE30X30X16NK  | 30.00 x 30.00 x 16.00 | 762 x 762 x 406   | Painted    | 8                      |
| ASG30X30X16NK  | 30.00 x 30.00 x 16.00 | 762 x 762 x 406   | Galvanized | 8                      |
| ASE36X36X16NK  | 36.00 x 36.00 x 16.00 | 914 x 914 x 406   | Painted    | 8                      |
| ASG36X36X16NK  | 36.00 x 36.00 x 16.00 | 914 x 914 x 406   | Galvanized | 8                      |
| ASE48X48X16NK  | 48.00 x 48.00 x 16.00 | 1219 x 1219 x 406 | Painted    | 12                     |
| ASG48X48X16NK  | 48.00 x 48.00 x 16.00 | 1219 x 1219 x 406 | Galvanized | 12                     |



**FLUSH COVERS**


Designed to mount on enclosure for flush installations. Cover is 16 or 14 gauge steel finished with ANSI 61 gray polyester powder paint.

**BULLETIN: A90P1**


87948556

## Standard Product

| Catalog Number | H<br>in./mm | W<br>in./mm | Fits Box Size A x B<br>in./mm | F<br>in./mm | G<br>in./mm | J<br>in./mm | L<br>in./mm | Cover<br>Gauge |
|----------------|-------------|-------------|-------------------------------|-------------|-------------|-------------|-------------|----------------|
| AFE6X6         | 7.50        | 7.50        | 6.00 x 6.00                   | 5.44        | 1.03        | 3.75        | —           | 16             |
|                | 191         | 191         | 152 x 152                     | 138         | 26          | 95          | —           |                |
| AFE8X6         | 9.50        | 7.50        | 8.00 x 6.00                   | 5.44        | 1.03        | 4.75        | —           | 16             |
|                | 241         | 191         | 203 x 152                     | 138         | 26          | 121         | —           |                |
| AFE8X8         | 9.50        | 9.50        | 8.00 x 8.00                   | 7.44        | 1.03        | 2.77        | 4.31        | 16             |
|                | 241         | 241         | 203 x 203                     | 189         | 26          | 70          | 109         |                |
| AFE10X8        | 11.50       | 9.50        | 10.00 x 8.00                  | 7.44        | 1.03        | 2.77        | 6.31        | 16             |
|                | 292         | 241         | 254 x 203                     | 189         | 26          | 70          | 160         |                |
| AFE10X10       | 11.50       | 11.50       | 10.00 x 10.00                 | 9.44        | 1.03        | 2.77        | 6.31        | 16             |
|                | 292         | 292         | 254 x 254                     | 240         | 26          | 70          | 160         |                |
| AFE12X8        | 13.50       | 9.50        | 12.00 x 8.00                  | 7.44        | 1.03        | 2.77        | 8.31        | 16             |
|                | 343         | 241         | 305 x 203                     | 189         | 26          | 70          | 211         |                |
| AFE12X12       | 13.50       | 13.50       | 12.00 x 12.00                 | 11.44       | 1.03        | 2.77        | 8.31        | 16             |
|                | 343         | 343         | 305 x 305                     | 291         | 26          | 70          | 211         |                |
| AFE18X12       | 19.50       | 13.50       | 18.00 x 12.00                 | 11.44       | 1.03        | 2.77        | 14.31       | 16             |
|                | 495         | 343         | 457 x 305                     | 291         | 26          | 70          | 363         |                |
| AFE18X18       | 19.50       | 19.50       | 18.00 x 18.00                 | 17.44       | 1.03        | 2.77        | 14.31       | 16             |
|                | 495         | 495         | 457 x 457                     | 443         | 26          | 70          | 363         |                |
| AFE24X18       | 25.50       | 19.50       | 24.00 x 18.00                 | 17.41       | 1.05        | 2.77        | 20.31       | 14             |
|                | 648         | 495         | 610 x 457                     | 442         | 27          | 70          | 516         |                |
| AFE24X24       | 25.50       | 25.50       | 24.00 x 24.00                 | 23.41       | 1.05        | 2.77        | 20.31       | 14             |
|                | 648         | 648         | 610 x 610                     | 595         | 27          | 70          | 516         |                |

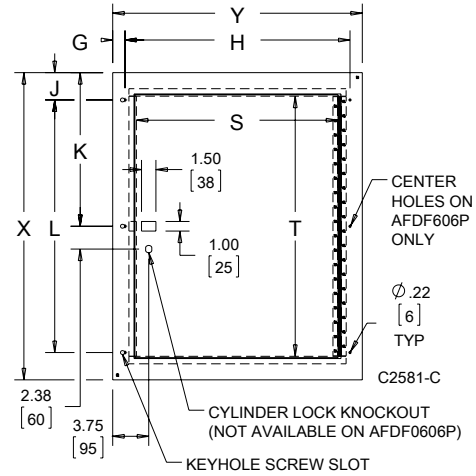
**FLUSH-MOUNT DOOR FRAMES**



Use in Screw-Cover Pull Box telephone cabinet installations or in communication wiring and signal systems. Also as a junction or pull box and switch enclosure.

- Continuous hinge
- Rugged black composite slide latch
- Optional tamper-resistant lock kit includes cylinder lock, tamper-resistant screws and special driver bit.
- Lock Kit: ACLDFD
- 14 gauge steel door frame has ANSI 61 gray polyester powder paint finish

**BULLETIN: A90P1**



Standard Product

| Catalog Number | Frame Size<br>X x Y<br>in./mm | Door<br>Size T<br>in./mm | Door<br>Size S<br>in./mm | Fits Box Size<br>A x B<br>in./mm | G<br>in./mm | H<br>in./mm  | J<br>in./mm | K<br>in./mm  | L<br>in./mm  |
|----------------|-------------------------------|--------------------------|--------------------------|----------------------------------|-------------|--------------|-------------|--------------|--------------|
| AFDF0606P      | 8.00 x 8.00<br>203 x 203      | 3.00<br>76               | 3.00<br>76               | 6.00 x 6.00<br>152 x 152         | 1.28<br>32  | 5.44<br>138  | N/A<br>N/A  | 4.00<br>102  | N/A<br>N/A   |
| AFDF1212P      | 14.00 x 14.00<br>356 x 356    | 9.00<br>229              | 9.00<br>229              | 12.00 x 12.00<br>305 x 305       | 1.28<br>32  | 11.44<br>291 | 2.84<br>72  | 7.00<br>178  | 8.31<br>211  |
| AFDF1812P      | 20.00 x 14.00<br>508 x 356    | 15.00<br>381             | 9.00<br>229              | 18.00 x 12.00<br>457 x 305       | 1.28<br>32  | 11.44<br>291 | 2.84<br>72  | 10.00<br>254 | 14.31<br>364 |
| AFDF1818P      | 20.00 x 20.00<br>508 x 508    | 15.00<br>381             | 15.00<br>381             | 18.00 x 18.00<br>457 x 457       | 1.28<br>32  | 17.44<br>443 | 2.84<br>72  | 10.00<br>254 | 14.31<br>364 |
| AFDF2418P      | 26.00 x 20.00<br>660 x 508    | 21.00<br>533             | 15.00<br>381             | 24.00 x 18.00<br>610 x 457       | 1.28<br>32  | 17.44<br>443 | 2.84<br>72  | 13.00<br>330 | 20.31<br>516 |
| AFDF2424P      | 26.00 x 26.00<br>660 x 660    | 21.00<br>533             | 21.00<br>533             | 24.00 x 24.00<br>610 x 610       | 1.30<br>33  | 23.41<br>595 | 2.84<br>72  | 13.00<br>330 | 20.31<br>516 |
| AFDF3024P      | 32.00 x 26.00<br>813 x 660    | 27.00<br>686             | 21.00<br>533             | 30.00 x 24.00<br>762 x 610       | 1.30<br>33  | 23.41<br>595 | 2.84<br>72  | 16.00<br>406 | 26.31<br>668 |

### TYPE 1 LOCKING WINDOW PULL BOX ACCESSORY

Flush- or surface-mount accessory fits Screw Cover, Type 1, boxes to prevent public access to lighting switches and controls. Includes a removable aluminum dead-front mounting surface for component cutouts and four torx-head screws for securing to enclosure.

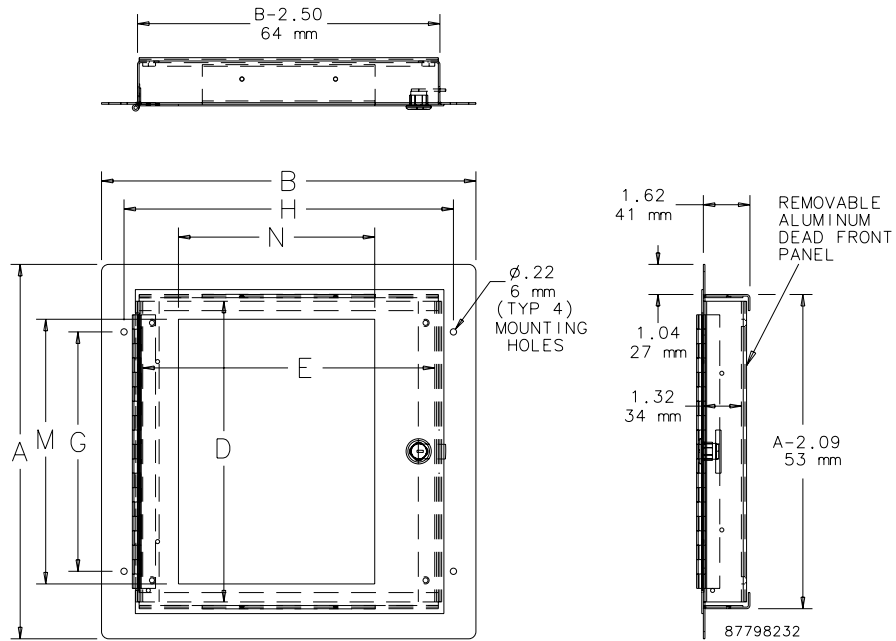
BULLETIN: A90P1



#### Standard Product

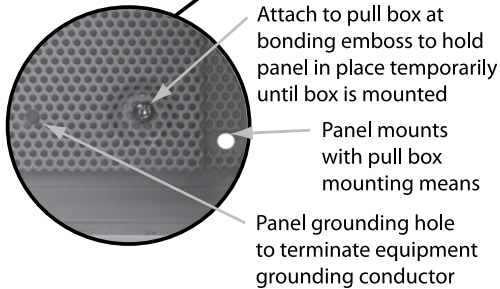
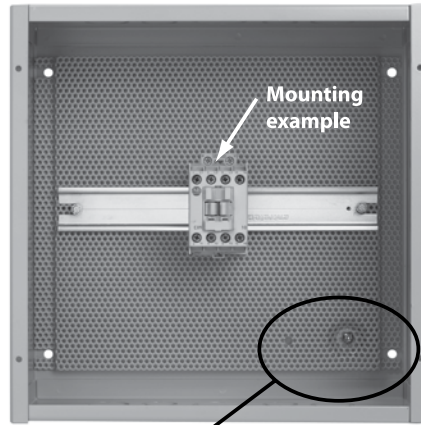
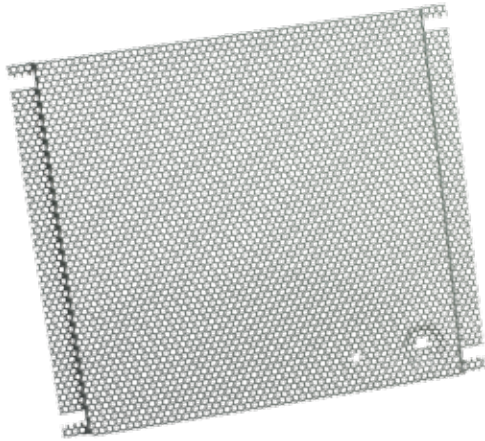
| Catalog Number | AxB in./mm                 | Dead Front Panel Size D x E in./mm | Mounting Holes G x H in./mm | Window Size M x N in./mm  | Fits Pull Boxes with A x B dimensions of in./mm |
|----------------|----------------------------|------------------------------------|-----------------------------|---------------------------|---|
| ALDF88W        | 9.00 x 9.00<br>229 x 293   | 6.00 x 6.14<br>152 x 99            | 4.31 x 7.44<br>109 x 189    | 6.25 x 3.88<br>164 x 156  | 8X8<br>203 x 203                                |
| ALDF1212W      | 13.00 x 13.00<br>330 x 330 | 10.00 x 10.14<br>254 x 200         | 8.31 x 11.44<br>211 x 291   | 10.25 x 7.88<br>265 x 258 | 12X12<br>305 x 305                              |

A x B = Frame Size





**TYPE 1 PULL BOX PERFORATED PANEL**



Panel is formed to provide 7/16-in. space off back of pull box for component mounting screw clearance and includes a grounding hole to terminate equipment grounding conductors. Ideal for mounting components that require infrequent access such as control transformers, terminals and contactors.

**BULLETIN: PNL P**

Standard Product

| Catalog Number | Panel Gauge | Panel Size D x E (in.) | Panel Size D x E (mm) | Fits Pull Box |
|----------------|-------------|------------------------|-----------------------|---------------|
| PB66PP         | 16          | 4.40 x 5.50            | 112 x 140             | ASE6X6X       |
| PB88PP         | 16          | 6.40 x 7.50            | 163 x 191             | ASE8X8X       |
| PB1212PP       | 16          | 10.40 x 11.50          | 264 x 292             | ASE12X12X     |
| PB1818PP       | 16          | 16.40 x 17.50          | 417 x 445             | ASE18X18X     |
| PB2424PP       | 16          | 22.40 x 23.50          | 569 x 597             | ASE24X24X     |

PB1818PP and PB2424PP are flanged on all four sides.

