



Chipsmall Limited consists of a professional team with an average of over 10 year of expertise in the distribution of electronic components. Based in Hongkong, we have already established firm and mutual-benefit business relationships with customers from,Europe,America and south Asia,supplying obsolete and hard-to-find components to meet their specific needs.

With the principle of “Quality Parts,Customers Priority,Honest Operation,and Considerate Service”,our business mainly focus on the distribution of electronic components. Line cards we deal with include Microchip,ALPS,ROHM,Xilinx,Pulse,ON,Everlight and Freescale. Main products comprise IC,Modules,Potentiometer,IC Socket,Relay,Connector.Our parts cover such applications as commercial,industrial, and automotives areas.

We are looking forward to setting up business relationship with you and hope to provide you with the best service and solution. Let us make a better world for our industry!



Contact us

Tel: +86-755-8981 8866 Fax: +86-755-8427 6832

Email & Skype: info@chipsmall.com Web: www.chipsmall.com

Address: A1208, Overseas Decoration Building, #122 Zhenhua RD., Futian, Shenzhen, China



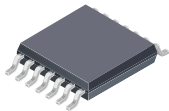
Precision Hall-Effect Angle Sensor IC with I²C, SPI, and SENT Interfaces

FEATURES AND BENEFITS

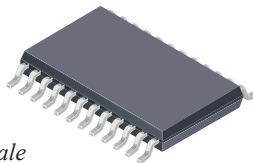
- 360° contactless high-resolution angle position sensor
- CVH (Circular Vertical Hall) technology
- Available with either a single die or dual independent die housed within a single package
- Digital output format selectable among SPI, I²C, and SENT (Single-Edge Nibble Transmission)
- SENT output is SAEJ2716 JAN2010 compliant, with Allegro proprietary enhanced programmable features
- Customer-programmable SENT tick times, ranging from 0.5 to 7.9 μ s
- SPI interface allows use of multiple independent sensor ICs for applications requiring redundancy
- Refresh rate: 32 μ s, 12-bit resolution
- Wide range of diagnostics enable automotive applications to achieve ASIL-D compliance
- Programmable via Manchester encoding on the VCC line, reducing external wiring
- Automotive temperature range: -40°C to 150°C
- AEC-Q100 automotive qualified
- Two types of linearization algorithms offered: harmonic linearization and segmented linearization
 - Enables off-axis operation

Continued on the next page...

Packages:



Not to scale



Single SoC, 14-pin TSSOP
(suffix LE)

Dual Independent SoCs, 24-pin
TSSOP (suffix LE)

DESCRIPTION

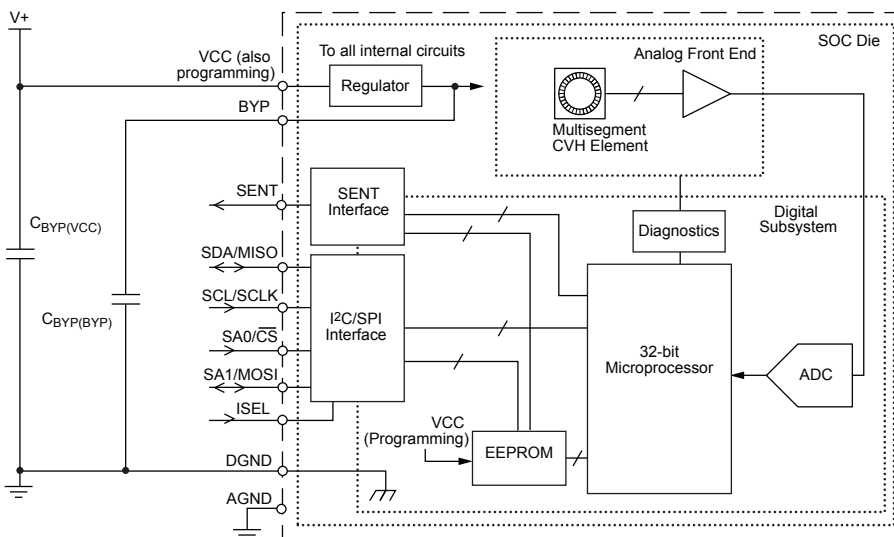
The A1335 is a 360° contactless high-resolution programmable magnetic angle position sensor IC. It is designed for digital systems and is capable of communicating via an I²C, SPI, or SENT interface.

This system-on-chip (SoC) architecture includes a front end based on Circular Vertical Hall (CVH) technology, programmable microprocessor-based signal processing, and features an interface capable of supporting I²C, SPI, and SENT. Besides providing full-turn angular measurement, the A1335 also provides scaling for angle measurement applications less than 360°. It includes on-chip EEPROM technology, capable of supporting up to 100 read/write cycles, for flexible programming of calibration parameters.

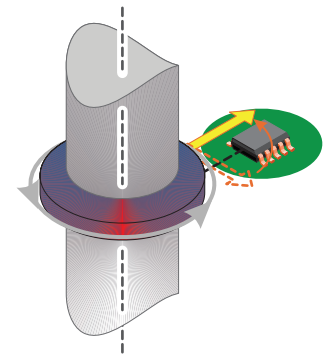
Digital signal processing functions, including temperature compensation and gain/offset trim, as well as advanced output linearization algorithms, provide an extremely accurate and linear output for both end-of-shaft applications as well as off-axis applications.

The A1335 is ideal for automotive applications requiring high-speed 360° angle measurements, such as: electronic power steering (EPS), transmission, torsion bar, and other systems that require accurate measurement of angles. The A1335 linearization schemes were designed with challenging off-axis applications in mind.

The A1335 is available as a single die in a 14-pin TSSOP, or dual die in a 24-pin TSSOP. Both packages are lead (Pb) free with 100% matte-tin leadframe plating.



Functional Block Diagram



Industry-leading linearization
enables off-axis (side-shaft)
operation

Features and Benefits (continued)

- Programmable range—can scale 22.5° to full-scale digital output
- Microprocessor-based output linearization
- EEPROM with Error Correction Control (ECC) for trimming calibration
- 1 mm thin (TSSOP) package
- Improved air-gap performance, based on continuous background calibration

Selection Guide

Part Number	System Die	Package	Packing*
A1335LLETR-T	Single	14-pin TSSOP	4000 pieces per 13-in. reel
A1335LLETR-DD-T	Dual	24-pin TSSOP	4000 pieces per 13-in. reel



*Contact Allegro for additional packing options

Table of Contents

Specifications	3	Application Information	17
Absolute Maximum Ratings	3	Serial Interface Description	17
Thermal Characteristics	3	Magnetic Target Requirements	18
Pinout Diagram and Terminal List	4	Field Strength	18
Operating Characteristics	5	On-Axis Applications	19
Functional Description	8	Off-Axis Applications	19
Overview	8	Effect of Orientation on Signal	21
Operation	8	Linearization	22
Diagnostic Features	11	Correction for Eccentric Orientation	23
Programming Modes	12	Harmonic Coefficients	24
Manchester Serial Interface	13	PCB Layout	24
Entering Manchester Communication Mode	13	Typical Performance Characteristics	25
Transaction Types	13	Package Outline Drawings	27
Writing to EEPROM	13		
Manchester Interface Reference	14		
SENT Output Mode	15		
SENT Message Structure	16		

SPECIFICATIONS

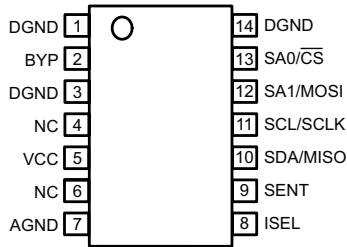
Absolute Maximum Ratings

Characteristic	Symbol	Notes	Rating	Unit
Forward Supply Voltage	V_{CC}		24	V
Reverse Supply Voltage	V_{RCC}		-18	V
All Other Pins	V_{IN}		-0.5 to 5.5	V
Operating Ambient Temperature	T_A	L temperature range	-40 to 150	°C
Maximum Junction Temperature	$T_J(max)$		165	°C
Storage Temperature	T_{stg}		-65 to 170	°C

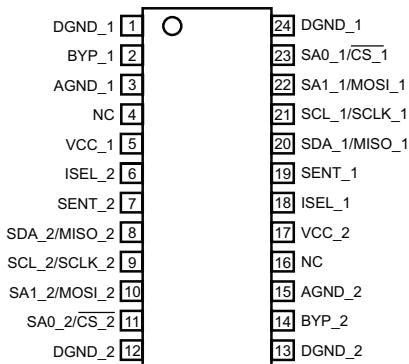
THERMAL CHARACTERISTICS: May require derating at maximum conditions; see application information

Characteristic	Symbol	Test Conditions*	Value	Unit
Package Thermal Resistance	$R_{\theta JA}$	LE-14 package	82	°C/W
		LE-24 package	117	°C/W

*Additional thermal information available on the Allegro website.



**LE-14 Package
(Single SoC)**



**LE-24 Package
(Dual SoC)**

Terminal List Table

Pin Name ¹	Pin Number		Function
	LE-14	LE-24	
VCC_1	5	5	Device power supply and input for EEPROM writing pulses. Used to enter/exit Manchester Serial Communication mode; serves as programming data input once mode has been entered.
VCC_2	–	17	
AGND_1	7	3	Device analog ground terminal.
AGND_2	–	15	
BYP_1	2	2	Internal bypass node, connect with bypass capacitor to DGND (die 1).
BYP_2	–	14	Internal bypass node, connect with bypass capacitor to DGND (die 2).
DGND_1	1, 3, 14	1, 24	Device digital ground terminal.
DGND_2	–	12, 13	
ISEL_1	8	18	Selects between I ² C operation (set to logic low) or SPI operation (set to logic high) (for SENT/Manchester operation set low) (die 1)
ISEL_2	–	6	Selects between I ² C operation (set to logic low) or SPI operation (set to logic high) (for SENT/Manchester operation set low) (die 2).
NC	4, 6	4, 16	Not Connected; connect to GND for optimal ESD performance.
SA0_1/ CS_1	13	23	I ² C: SA0 digital input. Sets slave address bit 0 (LSB) ² ; tie to BYP for 1, tie to DGND for 0. SPI: Chip Select input, active low (die 1). Manchester: LSB of the ID value for Die 1. tie to BYP for 1, to DGND for 0. Must be in I ² C operation (ISEL set to a logic low).
SA0_2/ CS_2	–	11	I ² C: SA0 digital input. Sets slave address bit 0 (LSB) ² ; tie to BYP for 1, tie to DGND for 0. SPI: Chip Select input, active low (die 2). Manchester: LSB of the ID value for Die 2. tie to BYP for 1, to DGND for 0. Must be in I ² C operation (ISEL set to a logic low).
SA1_1/ MOSI_1	12	22	I ² C: SA1 digital input: Sets slave address bit 1 (LSB) ² ; tie to BYP for 1, tie to DGND for 0. SPI: Master Output/Slave Input terminal (die 1). Manchester: MSB of the ID value for Die 1. tie to BYP for 1, to DGND for 0. Must be in I ² C operation (ISEL set to a logic low).
SA1_2/ MOSI_2	–	10	I ² C: SA1 digital input: Sets slave address bit 1 (LSB) ² ; tie to BYP for 1, tie to DGND for 0. SPI: Master Output/Slave Input terminal (die 2). Manchester: MSB of the ID value for Die 2. tie to BYP for 1, to DGND for 0. Must be in I ² C operation (ISEL set to a logic low).
SCL_1/ SCLK_1	11	21	Digital input: Serial clock (I ² C: SCL, SPI: SCLK); open drain, pull up externally to 3.3 V (die 1).
SCL_2/ SCLK_2	–	9	Digital input: Serial clock (I ² C: SCL, SPI: SCLK); open drain, pull up externally to 3.3 V (die 2).
SDA_1/ MISO_1	10	20	I ² C: Digital data terminal: digital output of evaluated target angle, also programming data input; open drain, pull up externally to 3.3 V (die 1). SPI: Master Input/Slave Output terminal (die 1).
SDA_2/ MISO_2	–	8	I ² C: Digital data terminal: digital output of evaluated target angle, also programming data input; open drain, pull up externally to 3.3 V (die 2). SPI: Master Input/Slave Output terminal (die 2).
SENT_1	9	19	SENT transmission output terminal (die 1); Manchester output in Manchester mode; open drain, pull-up to external supply.
SENT_2	–	7	SENT transmission output terminal (die 2); Manchester output in Manchester mode; open drain, pull-up to external supply.

¹ The number following the underscore refers to the die number in a dual SOC variant

² For additional information, refer to the Programming Reference addendum, EEPROM Description and Programming section, regarding the INTF register, I2CM field.

OPERATING CHARACTERISTICS: Valid throughout full operating voltage and ambient temperature ranges, unless otherwise specified

Characteristic	Symbol	Test Conditions	Min.	Typ. ¹	Max.	Unit ²
Electrical Characteristics						
Supply Voltage	V _{CC}		4.5	5	5.5	V
Supply Current	I _{CC}		–	15	20	mA
VCC Low Flag Threshold	V _{CCLOW(TH)}		4.4	4.55	4.75	V
Supply Zener Clamp Voltage	V _{ZSUP}	I _{ZCC} = I _{CC} + 3 mA, T _A = 25°C	26.5	–	–	V
Reverse Battery Voltage	V _{RCC}	I _{RCC} = –3 mA, T _A = 25°C	–	–	–18	V
Power-On Time ^{3,4}	t _{PO}	T _A = 25°C	2	–	40	ms
SPI Interface Specifications⁵						
Digital Input High Voltage ³	V _{IH}	MOSI, SCLK, $\overline{\text{CS}}$ pins	2.8	–	3.63	V
Digital Input Low Voltage ³	V _{IL}	MOSI, SCLK, $\overline{\text{CS}}$ pins	–	–	0.5	V
SPI Output High Voltage	V _{OH}	MISO pins, T _A = 25°C	2.93	3.3	3.69	V
SPI Output Low Voltage	V _{OL}	MISO pins	–	0.3	–	V
SPI Clock Frequency ³	f _{SCLK}	MISO pins, C _L = 50 pF	0.1	–	10	MHz
Chip Select to First SCLK Edge ³	t _{CS}	Time from $\overline{\text{CS}}$ going low to SCLK falling edge	50	–	–	ns
Data Output Valid Time ³	t _{DAV}	Data output valid after SCLK falling edge	–	45	–	ns
MOSI Setup Time ³	t _{SU}	Input setup time before SCLK rising edge	10	–	–	ns
MOSI Hold Time ³	t _{HD}	Input hold time after SCLK rising edge	50	–	–	ns
SCLK to $\overline{\text{CS}}$ Hold Time ³	t _{CHD}	Hold SCLK high time before $\overline{\text{CS}}$ rising edge	5	–	–	ns
Load Capacitance ³	C _L	Loading on digital output (MISO) pin	–	–	50	pF
I²C Interface Specifications (V_{PU} = 3.3 V on SDA and SCL pins)						
Bus Free Time Between Stop and Start ³	t _{BUF}		1.3	–	–	μs
Hold Time Start Condition ³	t _{HD(STA)}		0.6	–	–	μs
Setup Time for Repeated Start Condition ³	t _{SU(STA)}		0.6	–	–	μs
SCL Low Time ³	t _{LOW}		1.3	–	–	μs
SCL High Time ³	t _{HIGH}		0.6	–	–	μs
Data Setup Time ³	t _{SU(DAT)}		100	–	–	ns
Data Hold Time ³	t _{HD(DAT)}		0	–	900	ns
Setup Time for Stop Condition ³	t _{SU(STO)}		0.6	–	–	μs
Logic Input Low Level (SDA and SCL pins) ¹³	V _{IL(I2C)}		–	–	0.9	V
Logic Input High Level (SDA and SCL pins)	V _{IH(I2C)}		2.1	–	3.63	V

Continued on the next page...

OPERATING CHARACTERISTICS (continued): Valid throughout full operating voltage and ambient temperature ranges, unless otherwise specified

Characteristic	Symbol	Test Conditions	Min.	Typ. ¹	Max.	Unit ²
I²C Interface Specifications (V_{PU} = 3.3 V on SDA and SCL pins), continued						
Logic Input Current ³	I _{IN}	V _{IN} = 0 V to V _{CC}	-1	-	1	μA
Output Voltage (SDA pin)	V _{OL(I2C)}	R _{PU} = 1 kΩ, C _B = 100 pF, T _A = 25°C	-	-	0.6	V
Logic Input Rise Time (SDA and SCL pins) ³	t _{r(IN)}		-	-	300	ns
Logic Input Fall Time (SDA and SCL pins) ³	t _{f(IN)}		-	-	300	ns
SDA Output Rise Time ³	t _{r(OUT)}	R _{PU} = 1 kΩ, C _B = 100 pF	-	-	300	ns
SDA Output Fall Time ³	t _{f(OUT)}	R _{PU} = 1 kΩ, C _B = 100 pF	-	-	300	ns
SCL Clock Frequency ¹³	f _{CLK}		-	-	400	kHz
SDA and SCL Bus Pull-Up Resistor	R _{PU}		-	1	-	kΩ
Total Capacitive Load on SDA Line ³	C _B		-	-	100	pF
Pull-Up Voltage ³	V _{PU}	R _{PU} = 1 kΩ, C _B = 100 pF	2.97	3.3	3.63	V
SENT Interface Specifications³						
SENT Message Duration	t _{SENT}	Tick time = 3 μs	-	-	1	ms
Minimum Programmable SENT Message Duration	t _{SENTMIN}	Tick time = 0.5 μs, 3 data nibbles, SCN, and CRC, nibble length = 27 ticks	-	96	-	μs
SENT Output Signal	V _{SENT(L)}	5 kΩ ≤ R _{pullup} ≤ 50 kΩ	-	-	0.10	V
	V _{SENT(H)}	Minimum R _{pullup} = 5 kΩ	0.9 × V _S	-	-	V
		Maximum R _{pullup} = 50 kΩ	0.7 × V _S	-	-	V
SENT Trigger Signal	V _{SENTtrig(L)}		-	-	1.4	V
	V _{SENTtrig(H)}		2.8	-	-	V
Minimum Time Frame for SENT Trigger Signal	T _{trig(MIN)}		2	-	-	μs
Triggered Delay Time	t _{dSENT}	From end of trigger pulse to beginning of SENT message frame. TSENT (SENT_MODE 3 and SENT_MODE 4)	-	7	-	Tick
Maximum Sink Current	I _{LIMIT}	Output FET on, T _A = 25°C	-	30	-	mA
Magnetic Characteristics						
Magnetic Field ⁶	B	Range of input field	-	-	1500	G

Continued on the next page...

OPERATING CHARACTERISTICS (continued): Valid throughout full operating voltage and ambient temperature ranges, unless otherwise specified

Characteristic	Symbol	Test Conditions	Min.	Typ. ¹	Max.	Unit ²
Angle Characteristics						
Output ⁷	RES _{ANGLE}		–	12	–	bit
Effective resolution ⁸		B = 300 G, T _A = 25°C, ORATE = 0	–	10.8	–	bits
		B ≥ 700 G, T _A = 25°C, ORATE = 0	–	12	–	bits
Angle Refresh Rate ⁹	t _{ANG}	ORATE = 0	–	32	–	μs
Response Time ¹⁰	t _{RESPONSE}	All linearization and computations disabled, see Figure 1	–	60	–	μs
Angle Error ¹¹	ERR _{ANG}	T _A = 25°C, ideal magnet alignment, B = 300 G, target rpm = 0, no linearization	–	±0.5	–	degrees
		T _A = 25°C, ideal magnet alignment, B = 900 G, target rpm = 0, no linearization	–	±0.2	–	degrees
		T _A = 150°C, ideal magnet alignment, B = 300 G, target rpm = 0, no linearization	–1.3	–	+1.3	degrees
		T _A = 150°C, ideal magnet alignment, B = 900 G, target rpm = 0, no linearization	–	±0.3	–	degrees
Angle Noise ^{11, 12}	N _{ANG}	T _A = 25°C, 50 samples, B = 300 G, no internal filtering	–	0.2	–	degrees
		T _A = 150°C, 50 samples, B = 300 G, no internal filtering	–	0.27	–	degrees
Temperature Drift	ANGLE _{DRIFT}	T _A = 150°C, B = 300 G	–1.4	–	1.4	degrees
		T _A = –40°C, B = 300 G	–	±1.2	–	degrees
Angle Drift Over Lifetime	ANGLE _{DRIFT-LIFE}	B = 300 G, typical maximum drift observed after AEC Q100 qualification testing	–	±0.5	–	degrees

¹ Typical data is at T_A = 25°C and V_{CC} = 5 V and it is for design information only.

² 1 G (gauss) = 0.1 mT (millitesla).

³ Parameters for this characteristic are determined by design. They are not measured at final test.

⁴ End user can customize what power-on tests are conducted at each power-on that causes a range of power-on times. For more information, see the description of the CFG register.

⁵ During the power-on phase, the A1335 SPI transactions are not guaranteed.

⁶ The A1335 operates in Magnetic fields lower than 300 G, but with reduced accuracy and resolution.

⁷ RES_{ANGLE} represents the number of bits of data available for reading from the die registers.

⁸ Effective Resolution is calculated using the formula below:

$$\log_2(360) - \log_2\left(\sum_{I=1}^{50} \sigma_I\right)$$

where σ is the Standard Deviation based on thirty measurements taken at each of the 32 angular positions, I = 11.25, 22.5, ... 360.

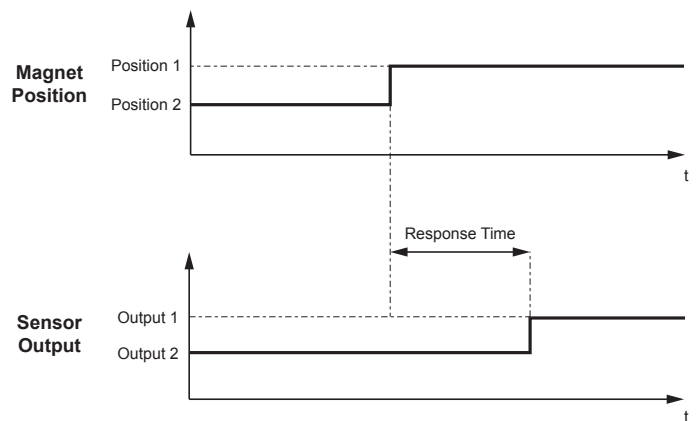
⁹ The rate at which a new angle reading is ready. This value varies with the ORATE selection.

¹⁰ This value assumes no post-processing and is the response time to read the magnetic position with no further computations. Actual response time is dependent on EEPROM settings. Settings related to filter design, signal path computations, and linearization will increase the response time.

¹¹ Error and noise values are with no further signal processing. Angle Error can be corrected with linearization algorithm, and Angle Noise can be reduced with internal filtering and slower Angle Refresh Rate value.

¹² One sigma value at 300 G. Operation with a larger magnetic field results in improved noise performance. For 600 G operation, noise reduced by 40-50% vs. 300 G.

¹³ Parameter is tested at wafer probe only.



Definition of Response Time

FUNCTIONAL DESCRIPTION

Overview

The A1335 incorporates a Hall sensor IC that measures the direction of the magnetic field vector through 360° in the x-y plane (parallel to the branded face of the device). The A1335 computes the angle based on the actual physical reading, as well as any internal parameters that have been set by the user. The end user can configure the output dynamic range, output scaling, and filtering.

This device is an advanced, programmable internal microprocessor-driven system-on-chip (SoC). It includes a Circular Vertical Hall (CVH) analog front end, a high-speed sampling A-to-D converter, digital filtering, a 32-bit custom microprocessor, a digital control interface capable of supporting I²C, SPI and SENT, and digital output of processed angle data.

Advanced linearization, offset, and gain adjustment options are available in the A1335. These options can be configured in onboard EEPROM providing a wide range of sensing solutions in the same device. Device performance can be optimized by enabling individual functions or disabling them in EEPROM to minimize latency.

Operation

The device is designed to acquire angular position data by sampling a rotating bipolar magnetic target using a multi-segmented circular vertical Hall-effect (CVH) detector. The analog output is processed, and then digitized, and compensated before being loaded into the output register. Refer to Figure 1 for a depiction of the signal process flow described here.

• **Analog Front End** In this stage, the applied magnetic signal is detected and digitized for more advanced processing.

A1 CVH Element. The CVH is the actual magnetic sensing element that measures the direction of the applied magnetic vector.

A2 Analog Signal Conditioning. The signal acquired by the CVH is sampled.

A3 A-to-D Converter. The analog signal is digitized and handed off to the Digital Front End stage.

• **Digital Front End** In this preprocessing stage, the digitized signal is conditioned for analysis.

D1 Digital Signal Conditioning. The digitized signal is decimated and band pass filtered.

D2 Raw Angle Computation. For each sample, the raw angle

value is calculated.

• **Microprocessor** The preprocess signal is subjected to various user-selected computations. The type and selection of computations used involves a trade-off between precision and increased response time in producing the final output.

P1 Angle Averaging. The raw angle data is received in a periodic stream, and several samples are accumulated and averaged, based on user-selected output rate. This feature increases the effective resolution of the system. The amount of averaging is determined by the user-programmable ORATE (output rate) field. The user can configure the quantity of averaged samples by powers of two to determine the *refresh rate*, the rate at which successive averaged angle values are fed into the post-processing stages. The available rates are set as follows:

Table 1: Refresh Rates of Averaged Samples

ORATE [2:0]	Quantity of Samples Averaged	Refresh Rate (µs)
000	1	32
001	2	64
010	4	128
011	8	256
100	16	512
101	32	1024
110	64	2048
111	128	4096

P1a IIR Filter (Optional). The optional IIR filter can provide more advanced multi-order filtering of the input signal. Filter coefficients can be user-programmed, and the FI bit can be programmed by the user to enable or disable this feature.

P2 Angle Compensation The A1335 is capable of compensating for drift in angle readings that result from changes in the device temperature through the operating ambient temperature range. The device comes from the factory pre-programmed with coefficient settings to allow compensation of linear shifts of angle with temperature.

P2a Prelinearization Rotation (Optional, but required if linearization used). The linearization algorithms require input functions that are both continuous and monotonically increasing. The LR bit sets which relative direction of target rotation results in an increasing angle value. The bit must be set such that the input to the linearization algorithm is increasing.

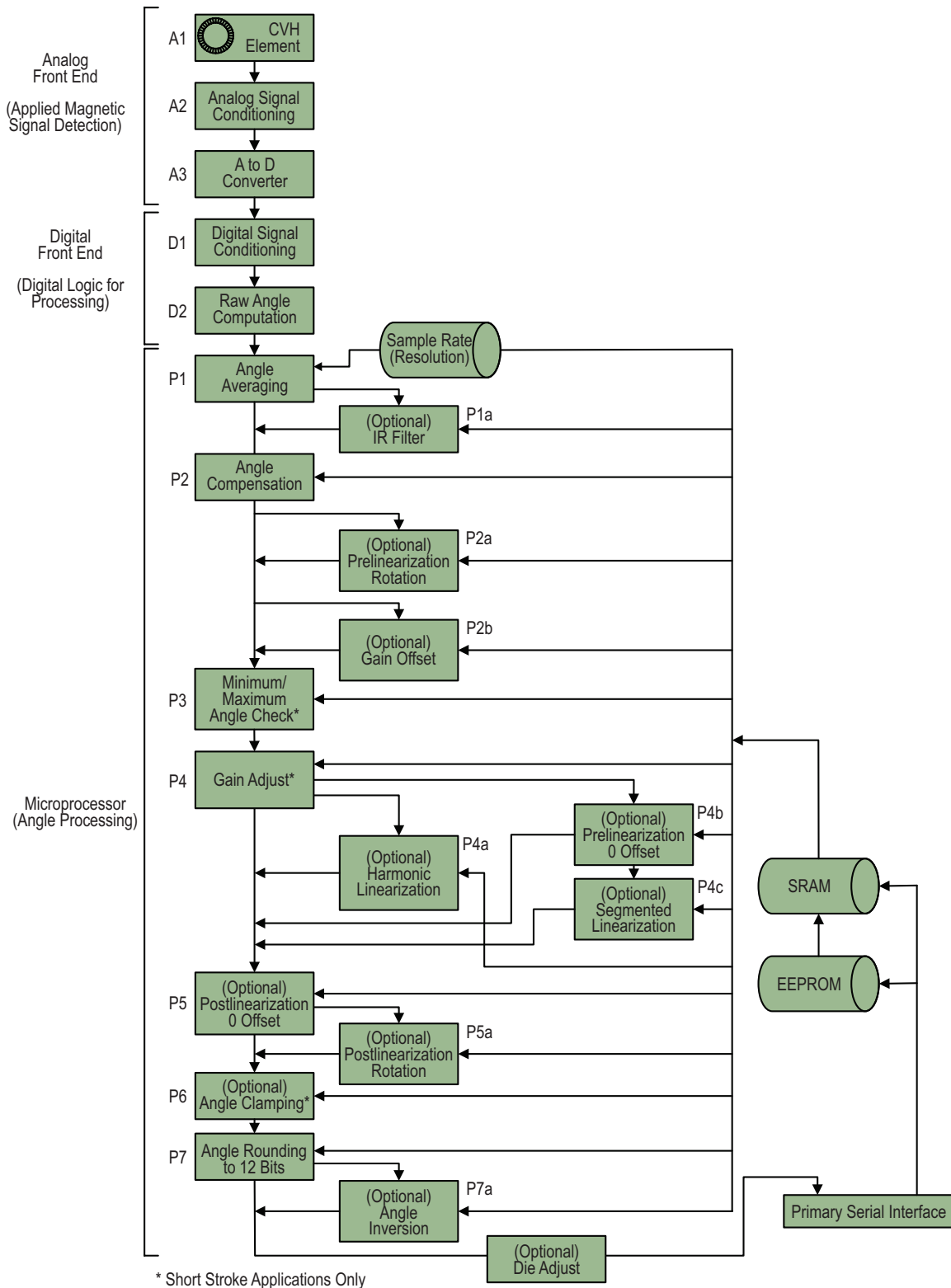


Figure 1: Signal Processing Flow (refer by index number to text descriptions)

P2b Gain Offset (Optional). Allows zeroing out of the angle prior to applying Gain. Set via the GAIN_OFFSET field. Angle = Angle - GAIN_OFFSET.

P3 Minimum/Maximum Angle Check (Short Stroke Applications Only). The device compares the raw angle value to the angle value boundaries set by the user programming the MIN_ANGLE_S or MAX_ANGLE_S fields. If the angle is excessive, an error flag is set at ERR[AH] (high boundary violation) or ERR[AL] (low boundary violation). This feature is useful for applications that use angle strokes less than 360 degrees (short stroke). (Note: This feature is only active if the Short Stroke bit has been set.)

P4 Gain Adjust (Short Stroke Applications Only). This bit adjusts the output dynamic range of the device. For example, if the application only requires 45 degrees of stroke, the user can set this field such that a 45-degree angular change would be distributed across the entire 4095 → 0 code range. Set using the GAIN field. (Note: This feature is only active if the Short Stroke bit has been set.)

P4a Harmonic Linearization (Optional). Applies user-programmed error correction coefficients (set in the LINC registers) to the raw angle measurements. Use the HL bit to enable harmonic linearization.

P4b Prelinearization 0 Offset (optional but required if Segmented Linearization is used). The expected angle values should be distributed throughout the input dynamic range to optimize angle post-processing. This is mostly needed for applications that use full 360-degree rotations. This value establishes the position that will correspond to zero error. This value should be set such that the 360 ≥ degree range corresponds to the 4095 ≥ 0 code range. Setting this point is critical if segmented linearization is used. This is required prior to going through linearization, as the compensation requires a continuous input function to operate correctly. Set using the LIN_OFFSET field.

P4c Segmented Linearization (Optional). Applies user-programmed error correction coefficients (set in the LINC registers) to the raw angle measurements. Use the SL bit to enable segmented linearization.

P5 Postlinearization 0 Offset (Optional). This computation assigns the final angle offset value, to set the low expected angle value to code 0 in the output dynamic range, after all linearization and processing has been completed. Set using the ZERO_OFFSET field.

P5a Postlinearization Rotation (Optional). This feature allows the user to choose the polarity of the final angle output, relative to the result of the Prelinearization Rotation direction setting (LR bit, described above). Set using the RO bit.

P6 Angle Clamping (Short Stroke Applications Only). The A1335 has the ability to apply digital clamps to the output signal. This feature is most useful for applications that use angle strokes less than 360 degrees. If the output signal exceeds the upper clamp, the output will stay at the clamped value. If the output signal is lower than the lower clamp, the output will stay at the low clamp value. Set using the CLAMP_HI and CLAMP_LO fields. (Note: This feature is only active if the Short Stroke bit has been set.)

P7 Angle Rounding to 12 Bits. All of the internal calculations for angle processing in the A1335 take place with 16-bit precision. This step rounds the data into a 12-bit word for output through the Primary Serial Interface.

P7a Angle Inversion (Short Stroke Application Only). Rotation within the high and low clamp values. [CLAMP_HI - (Angle - CLAMP_LO)]. (Note: This feature is only active if the Short Stroke bit has been set.)

P8 Die Adjust (Optional). Rotates final angle 180 degrees. Used to compensate for the 180 degree offset between die in dual SoC packages.

Diagnostic Features

The A1335 was designed with diagnostic requirements in mind and supports many on-chip diagnostics as well as error/status flags, enabling the host microcontroller to assess the operational status of each die.

In addition, the A1335 supports three different on-chip user-initiated diagnostics.

USER-INITIATED DIAGNOSTICS

The following three internal self-tests may be configured to run at power-on, and may also be initiated at any time by the system microcontroller via Extended Access commands through the SPI/I²C interface. A failure of any one of the three self-tests will assert the Self-Test Failure Flag, ST, within the extended error register. The specific failing test can be identified by performing an extended address-read (address 0xFFFC).

- **CVH Self-Test**

The CVH self-test is a signal path diagnostic used to verify both analog and digital system integrity. Test execution requires approximately 36 ms, during which time no new

angle measurements will be generated by the sensor. The test is implemented by changing the transducer switch configuration from normal mode into a test configuration, allowing a test current to drive the CVHD in place of the magnetic field. By changing the direction of the test current and sequencing different elements within the CVH, the self-test emulates a changing magnetic field angle. The measured angle is monitored to determine a passing or failing device. A failure of the CVH self-test will assert the ST flag. If the self-test was initiated via the Extended Access Command, test results for the individual Hall elements will be stored in the SRAM CmdStatus field (0x00) and the primary serial interface ERD register (0x0E through 0x11).

- **SRAM BIST**

The SRAM Built-In Self-Test (BIST) verifies proper functionality of the SRAM. The test may be run in either long or short mode, and can be configured to halt on error. A failure of the SRAM BIST will assert the ST flag. When enabled to run on power-up, the short test mode is used, requiring approximately 100 μs to complete. For more information on SRAM BIST options, consult the A1335 programming guide.

Table 2: Status and Error Flags

Fault Condition	Description	Sensor Response
$V_{CC} < V_{CCLOW(TH)(min)}$	Indicates potential for reduced angle accuracy	UV error flag is set
$V_{CC} > 8.8 V$	Indicates possible system level power supply failure	OV error flag is set*
Field > MAG_HIGH	MAG_HIGH programmable from 0-1240 G in 40 G steps. Monitors Mag Field level in case of mechanical failure	MH flag is set
Field < MAG_LOW	MAG_LOW programmable from 0-620 G in 20 G steps. Monitors Mag Field level in case of mechanical failure	ML flag is set
$-60^{\circ}C > T_A > 180^{\circ}C$	Ambient temperature beyond maximum rating detected	TR flag is set
Processor Halt	Monitors digital logic for proper functionality	WT and WC Flags set
Single-Bit EEPROM Error (correctable)	Detects and corrects a single-bit EEPROM Error	ES error flag is set
Multi-Bit EEPROM Error (uncorrectable)	Detects a multi-bit uncorrectable EEPROM ERROR	EU error flag is set
Single-Bit SRAM Error (correctable)	Detects and corrects a single-bit SRAM Error	SS Error flag is set
Multi-Bit SRAM Error (uncorrectable)	Detects a multi-bit uncorrectable SRAM ERROR	SU Error flag is set
Angle-Processing Errors	New angle measurement did not occur within the maximum time allotted.	AT flag is set
Angle Out of Range	Angle value (prior to scaling by Gain) is outside the range set by MIN_ANGLE and MAX_ANGLE. Short Stroke only.	The AL or AH flag is set
Loss of V _{CC}	Determine if system power was lost. Also detects a reset of the internal microprocessor	POR and RC flags are set
Self-Test Failure	Indicates a failure of one of the three internal self-tests. SRAM BIST, ROM Checksum Verification, and CVH self-test. Tests can be individually configured to run at power-up and may also be user initiated.	ST flag set

* EEPROM programming pulses result in OV flag assertion.

ROM Checksum

Verification of the ROM checksum may be configured to take place at power-on. In addition, the checksum is continuously recalculated in the background during normal operation (independent of power-on configuration). This test may be initiated at any time by the system microcontroller via an Extended Access Command (0xFFE0). If the self-test was initiated via the Extended Access Command, the failing checksum is stored in the CmdStatus SRAM register (0x00). A bad ROM checksum asserts the Self-Test Failure Flag, ST.

LOW VOLTAGE DETECTION

In addition to setting the undervoltage (UV) flag, a V_{CC} ramp will also change the state of the output pins (SDA/MISO and SENT) as the part enters and exits the reset condition. This is shown in Figure 2.

For more information on diagnostic features and flags, refer to the programmers guide for a more complete description of the available flags and settings.

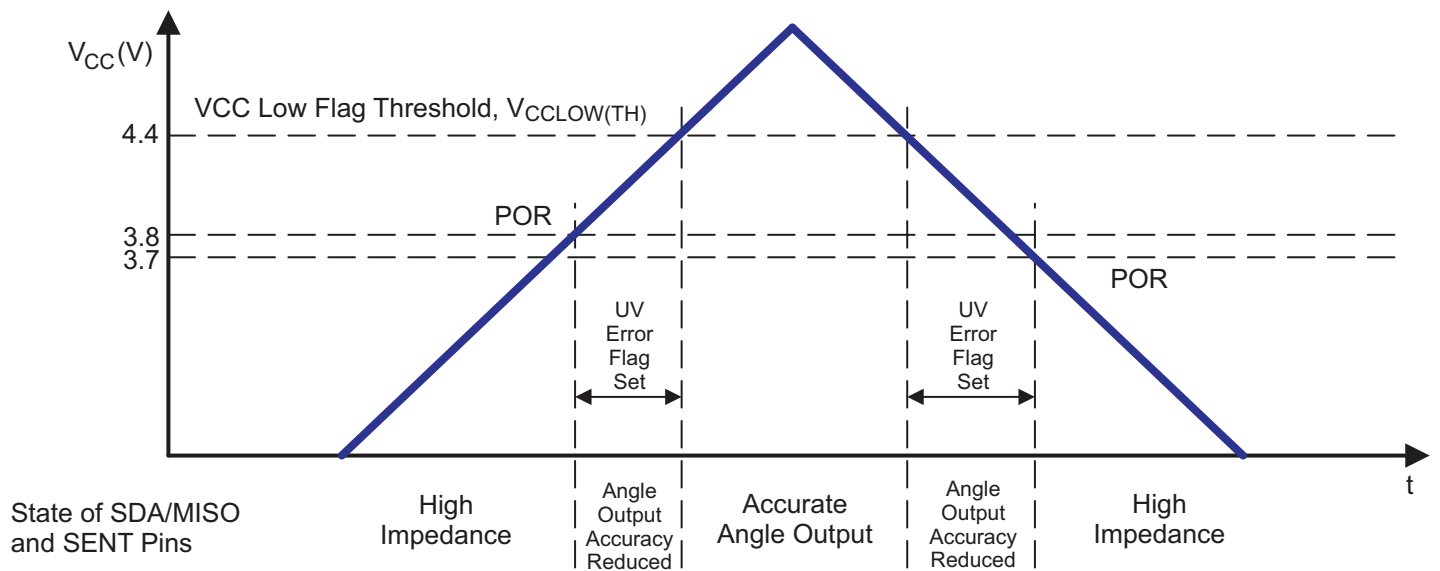


Figure 2: Relationship of V_{CC} and Output

Programming Modes

The EEPROM can be written through the dedicated I²C or SPI interface pins or via Manchester encoding on the VCC pin, allowing process coefficients to be entered and options selected. (Note: programming EEPROM also requires the VCC line to be pulsed, which could adversely affect other devices if powered from the same line). Certain operating commands also are available by writing directly to SRAM. The EEPROM and SRAM provide parallel data structures for operating parameters. The SRAM provides a rapid test and measurement environment for applica-

tion development and bench-testing. The EEPROM provides persistent storage at end of line for final parameters. At Power-on initialization, the EEPROM contents are read into the corresponding SRAM. Provided the Lock Microprocessor [LM] bit within EEPROM is not set, SRAM can be overwritten during operation (Use Caution). The EEPROM is permanently locked by setting the lock EEPROM [LE] bit in the EEPROM.

The A1335 EEPROM is programmed via either the I²C, the SPI, or the VCC pin Serial Interface, with additional power provided by pulses on the VCC pin to set the EEPROM bit fields.

MANCHESTER SERIAL INTERFACE

To facilitate addressable device programming when using the unidirectional SENT output mode with no need for additional wiring, the A1335 incorporates a serial interface on the VCC line. (Note: The A1335 may be programmed via the SPI or I²C interfaces, with additional wiring connections. For detailed information on part programming, refer to the A1335 programming manual). This interface allows an external controller to read and write registers in the A1335 EEPROM and volatile memory. The device uses a point-to-point communication protocol, based on Manchester encoding per G.E. Thomas (a rising edge indicates a 0 and a falling edge indicates a 1), with address and data transmitted MSB first. The addressable Manchester code implementation uses the logic states of the SA0/SA1 pins to set address values for each die. In this way, individual communication with up to four A1335 die is possible.

To prevent any undesired programming of the A1335, the serial interface can be disabled by setting the Disable Manchester bit. With this bit set, the A1335 will ignore any Manchester input on VCC.

Entering Manchester Communication Mode

Provided the Disable Manchester bit is not set in EEPROM, the A1335 continuously monitors the VCC line for valid Manchester commands. The part takes no action until a valid Manchester Access Code is received.

There are two special Manchester code commands used to activate or deactivate the serial interface and specify the output format used during Read operations:

1. **Manchester Access Code:** Enters Manchester Communication Mode; Manchester code output on the SENT pin.
2. **Manchester Exit Code;** returns the SENT pin to normal (angle data) output format.

Once the Manchester Communication Mode is entered, the SENT output pin will cease providing angle data, interrupting any data transmission in progress.

Transaction Types

As shown in Figure 3, the A1335 receives all commands via the VCC pin, and responds to Read commands via the SENT pin. This implementation of Manchester encoding requires the communication pulses be within a high ($V_{MAN(H)}$) and low ($V_{MAN(L)}$) range of voltages on the VCC line. Writing to EEPROM is supported by two high voltage pulses on the VCC line.

Each transaction is initiated by a command from the controller; the A1335 does not initiate any transactions. Two commands are recognized by the A1335: Write and Read.

Writing to EEPROM

When a Write command requires writing to non-volatile EEPROM, after the Write command, the controller must also send two *Programming pulses*, high-voltage strobes via the VCC pin. These strobes are detected internally, allowing the A1335 to boost the voltage on the EEPROM gates. Refer to the A1335 programming manual for specifics on sensor programming and protocol details.

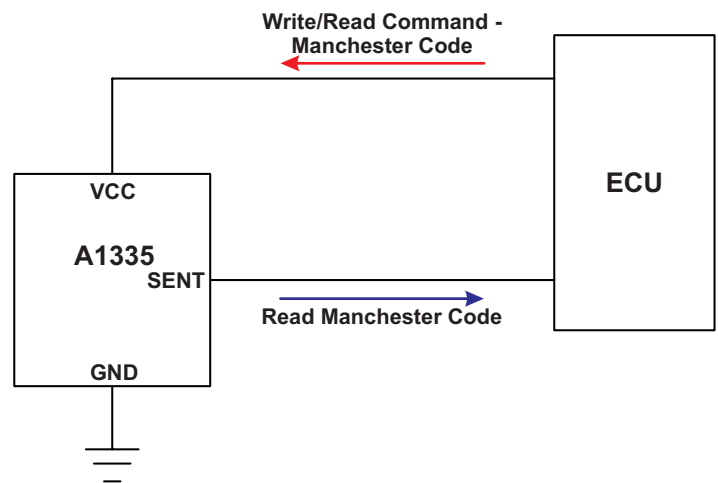


Figure 3: Top-Level Programming Interface

Manchester Interface Reference

Table 3: Manchester Interface Protocol Characteristics¹

Characteristics	Symbol	Note	Min.	Typ.	Max.	Unit
Input/Output Signal Timing						
Bit Rate		Defined by the input message bit rate sent from the external controller	4	–	100	kbps
Bit Time	t_{BIT}	Data bit pulse width at 4 kbps	243	250	257	μs
		Data bit pulse width at 100 kbps	9.5	10	10.5	μs
Bit Time Error	err_{TBIT}	Deviation in t_{BIT} during one command frame	–11	–	+11	%
Write Delay	$t_{\text{WRITE(E)}}$	Required delay from the end of the second EEPROM Program pulse to the leading edge of a following command frame	$V_{\text{CC}} < 6.0 \text{ V}$	–	–	–
Read Delay	$t_{\text{START_READ}}$	Delay from the trailing edge of a Read command frame to the leading edge of the Read Acknowledge frame	$\frac{1}{4} \times t_{\text{bit}}$	–	$\frac{3}{4} \times t_{\text{bit}}$	μs
EEPROM Programming Pulse						
EEPROM Programming Pulse Setup Time	$t_{\text{sPULSE(E)}}$	Delay from last bit cell of write command to start of EEPROM programming pulse	40	–	–	μs
Input Signal Voltage						
Manchester Code High Voltage	$V_{\text{MAN(H)}}$	Applied to VCC line	7.8	–	–	V
Manchester Code Low Voltage	$V_{\text{MAN(L)}}$	Applied to VCC line	–	–	5.7	V
Output Signal Voltage (Applied on SENT Line)						
Manchester Code High Voltage	$V_{\text{MAN(H)}}$	Minimum $R_{\text{pullup}} = 5 \text{ k}\Omega$	$0.9 \times V_{\text{S}}$	–	–	V
		Maximum $R_{\text{pullup}} = 50 \text{ k}\Omega$	$0.7 \times V_{\text{S}}$	–	–	V
Manchester Code Low Voltage	$V_{\text{MAN(L)}}$	$5 \text{ k}\Omega \leq R_{\text{pullup}} \leq 50 \text{ k}\Omega$	–	–	0.1	V

¹ Determined by design.

SENT Output Mode

The SENT output converts the measured magnetic field angle to a binary value mapped to the Full-Scale Output (FSO) range of 0 to 4095, shown in Figure 4. This data is inserted into a binary pulse message, referred to as a frame, that conforms to the SENT data transmission specification (SAEJ2716 JAN2010).

The SENT frame may be configured via EEPROM. The A1335 may operate in one of three broadly defined SENT modes (see the A1335 programming manual for details on SENT modes and settings).

- SAE J2716 SENT: free-streaming SENT frame in accordance with industry specification. Additional programmability allows Tick time adjustment from 0.5 μ s to 7.9 μ s.
- Triggered SENT (TSENT): User-defined sampling and retrieval.
- Shared SENT: Allows multiple devices to share a common SENT line. Devices may either be directly addressed (Addressable SENT or ASSENT) or sequentially polled (Sequential SENT or SSENT).

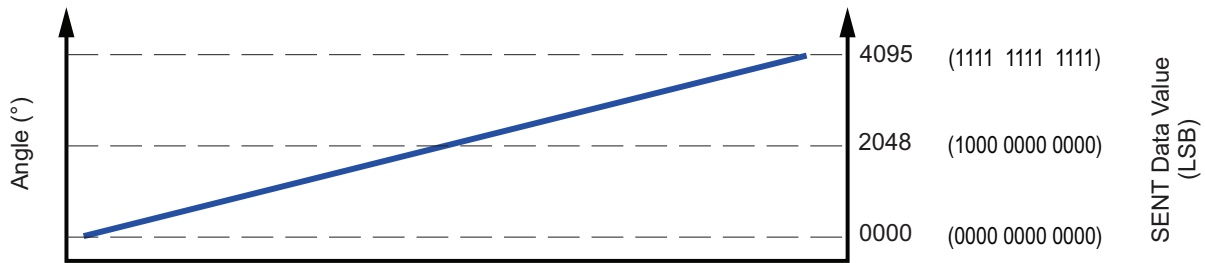


Figure 4: Angle is Represented as a 12-bit Digital Value

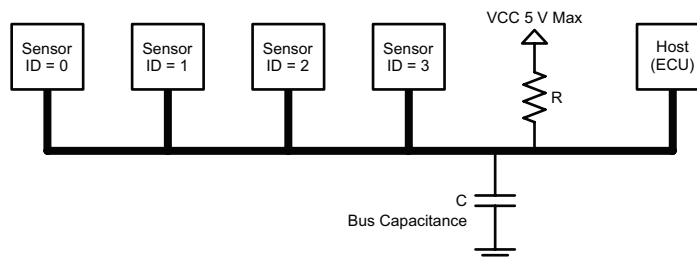


Figure 5: Allegro’s proprietary SENT protocol allows multiple parts to share one common output bus.

SENT MESSAGE STRUCTURE

Data within a SENT message frame is represented as a series of nibbles, with the following characteristics:

- Each nibble is an ordered pair of a low-voltage interval followed by a high-voltage interval
- The low-voltage interval acts as the delimiting state which acts as a boundary between each nibble. The length of this low-voltage interval is fixed at 5 ticks.
- The high-voltage interval performs the job of the information state and is variable in duration in order to contain the data payload of the nibble
- The slew rate of the falling edge may be adjusted using the SENT_DRIVER parameter.

The duration of a nibble is denominated in ticks. The period of a tick is set by the SENT_TICK parameter. The duration of the nibble is the sum of the low-voltage interval plus the high-voltage interval.

The parts of a SENT message are arranged in the following required sequence (see Figure 7):

1. **Synchronization and Calibration:** Flags the start of the SENT message.
2. **Status and Communication Nibble:** Provides A1335 status and the optional serial data determined by the setting of the SENT_SERIAL parameter.
3. **Data:** Angle information and optional data.
4. **CRC:** Error checking.
5. **Pause Pulse (optional):** Fill pulse between SENT message frames.

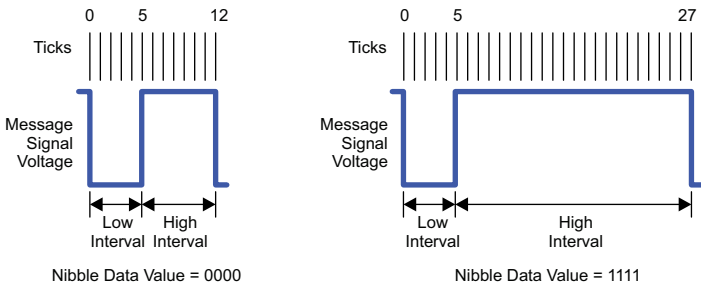


Figure 6: General Value Formation for SENT
0000 (left), 1111 (right)

Table 4: Nibble Composition and Value

Quantity of Ticks			Binary (4-bit) Value	Decimal Equivalent Value
Low-Voltage Interval	High-Voltage Interval	Total		
5	7	12	0000	0
5	8	13	0001	1
5	9	14	0002	2
⋮	⋮	⋮	⋮	⋮
5	21	26	1110	14
5	22	27	1111	15

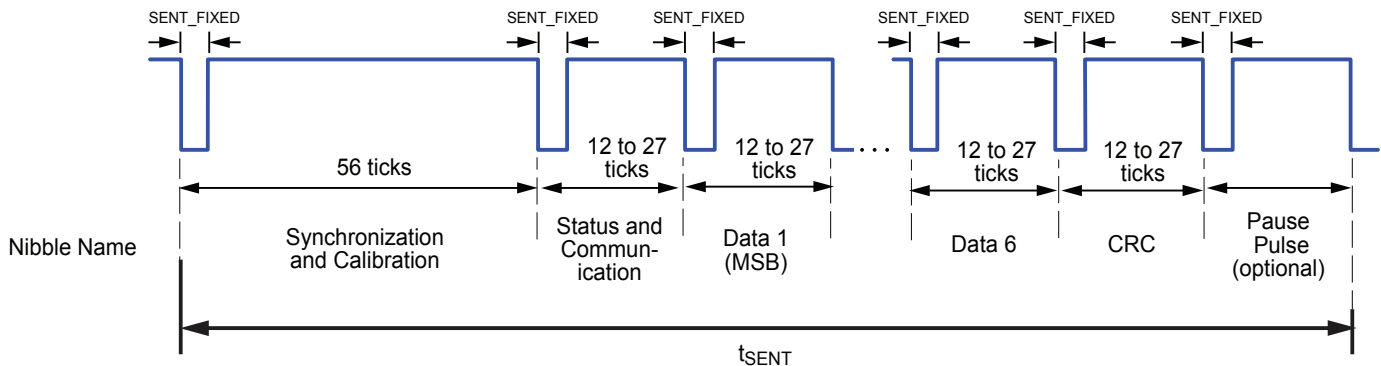
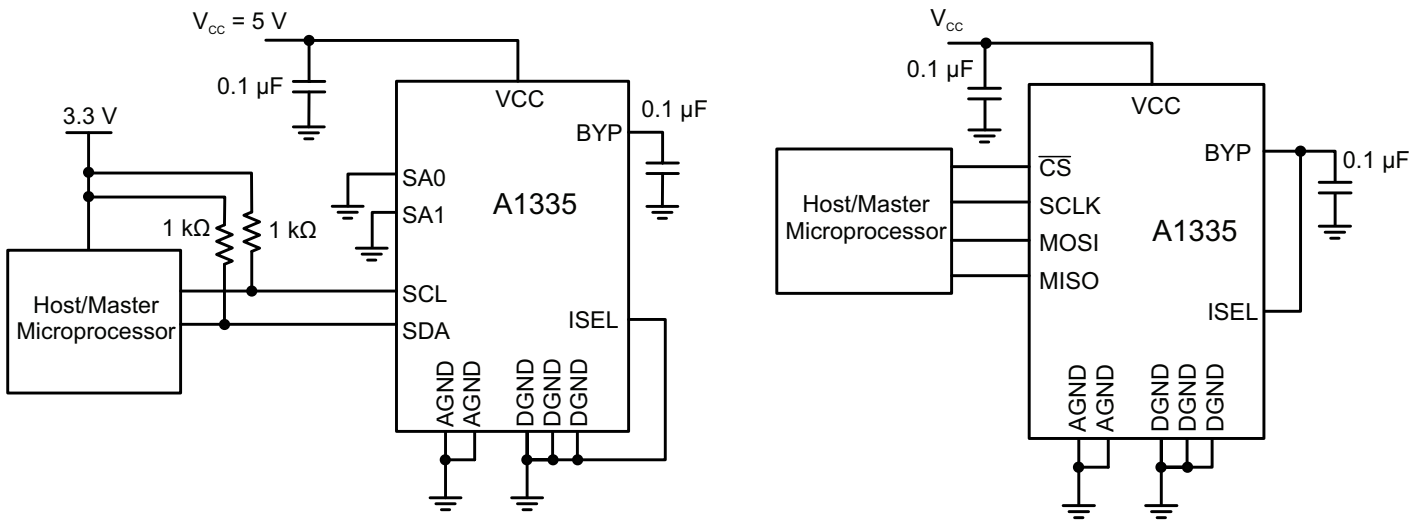


Figure 7: General Format for SENT Message Frame

APPLICATION INFORMATION

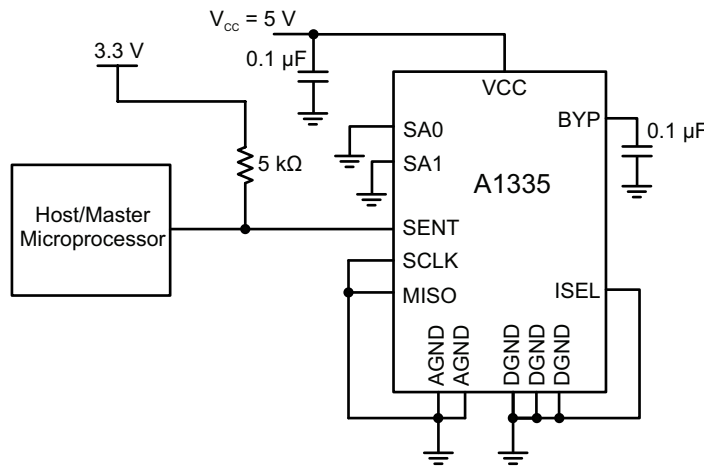
Serial Interface Description

The A1335 features I²C-, SPI-, and SENT-compliant interfaces for communication with a host microcontroller, or Master. A basic circuit for configuring the A1335 package is shown in Figure 8.



(A) Typical A1335 configuration using I²C interface; A1335 set up for serial address 0xC

(B) Typical A1335 configuration using SPI interface



(C) Typical A1335 configuration using SENT interface (SA0/SA1 may be brought to BYP or GND to configure Manchester/Shared SENT address)

Figure 8: Typical A1335 configuration

Magnetic Target Requirements

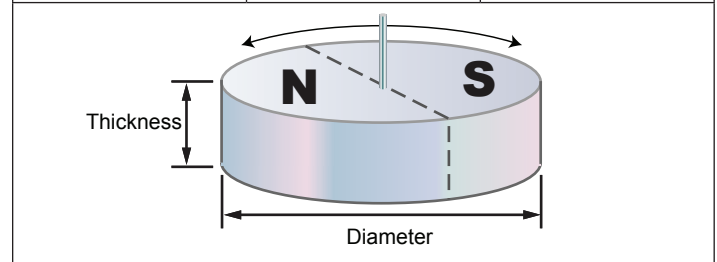
There are two main sensing configurations for magnetic angle sensing, on-axis and off-axis. On-axis (end of shaft) refers to when the center axis of a magnet lines up with the center of the sensing element. Off-axis (side shaft) refers to when the angle sensor is mounted along the edge of a magnet. Figure 13 to Figure 16 illustrate on- and off-axis sensing configurations.

FIELD STRENGTH

The A1335 actively measures and adapts to its magnetic environment. This allows operation throughout a large range of field strengths (recommended range is 300 to 1000 G, operation beyond this range is allowed with no long-term impact). Due to the greater signal-to-noise ratio provided at higher field strengths, performance inherently increases with increasing field strength. Typical angle performance over applied field strength is shown in Figure 9 and Figure 10.

Table 5: Target Magnet Parameters

Magnetic Material	Diameter (mm)	Thickness (mm)
Neodymium (bonded)	15	4
Neodymium (sintered)*	10	4
Neodymium (sintered)	8	3
Neodymium / SmCo	6	2.5



*A sintered Neodymium magnet with 10 mm (or greater) diameter and 4 mm thickness is the recommended magnet for redundant applications.

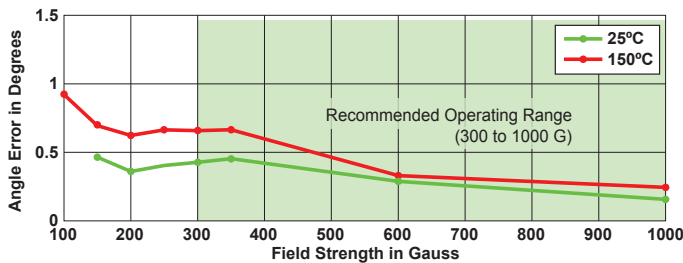


Figure 9: Typical Maximum Angle Error Over Field Strength

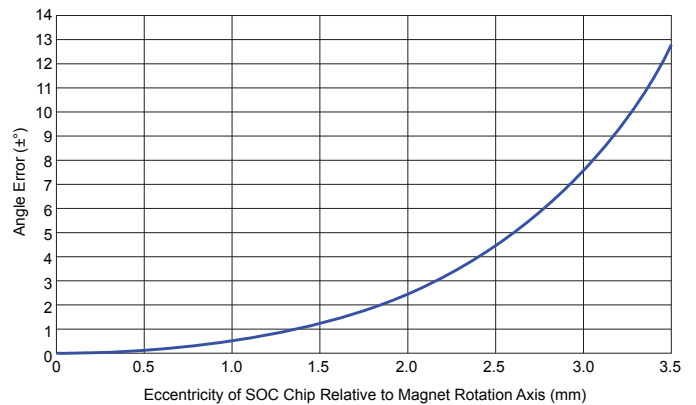


Figure 11: Simulated Error versus Eccentricity for a 10 mm x 4 mm Neodymium magnet at a 2.7 mm air gap.

Typical Systemic Error versus magnet to sensor eccentricity (d_{axial}). Note: "Systemic Error" refers to application errors in alignment and system timing. It does not refer to sensor IC device errors. The data in this graph is simulated with ideal magnetization.

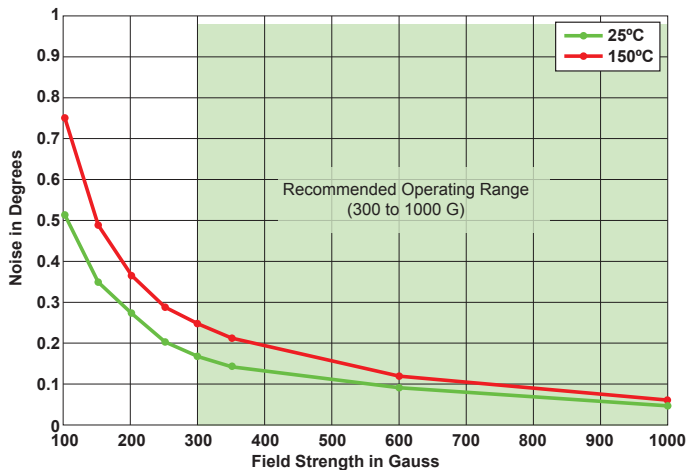


Figure 10: Typical One Sigma Angle Noise Over Field Strength

ON-AXIS APPLICATIONS

Some common on-axis applications for the device include digital potentiometer, motor sensing, power steering, and throttle sensing. The A1335 is designed to operate with magnets constructed with a variety of magnetic materials, cylindrical geometries, and field strengths, as shown in Table 5. The device has two internal linearization algorithms that can compensate for much of the error due to alignment. Contact Allegro for more detailed information on magnet selection and theoretical error.

OFF-AXIS APPLICATIONS

There are two major challenges with off-axis angle-sensing applications. The first is field strength. All efforts should be conducted to maximize magnetic signal strength as seen by the device. The goal is a minimum of 300 G. Field strength can be maximized by using high-quality magnetic material, and by minimizing the distance between the sensor and the magnet. Another challenge is overcoming the inherent nonlinearity of the magnetic field vector generated at the edge of a magnet. The device has two linearization algorithms that can compensate for much of the geometric error. Harmonic linearization is recommended for off-axis applications.

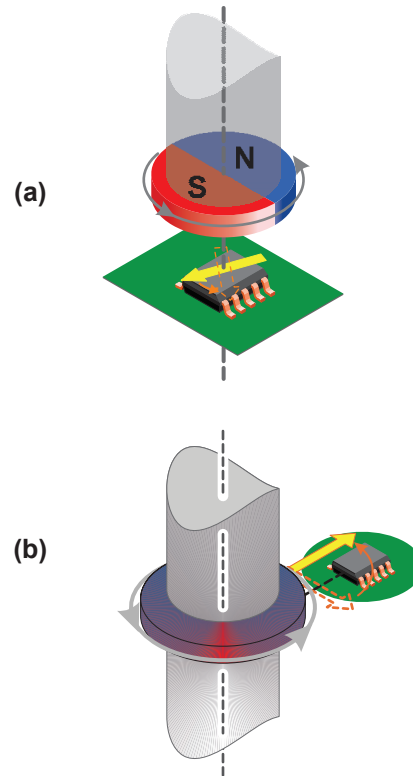


Figure 12: Typical On-Axis (a) and Off-Axis (b) Orientation

Effect of Orientation on Signal

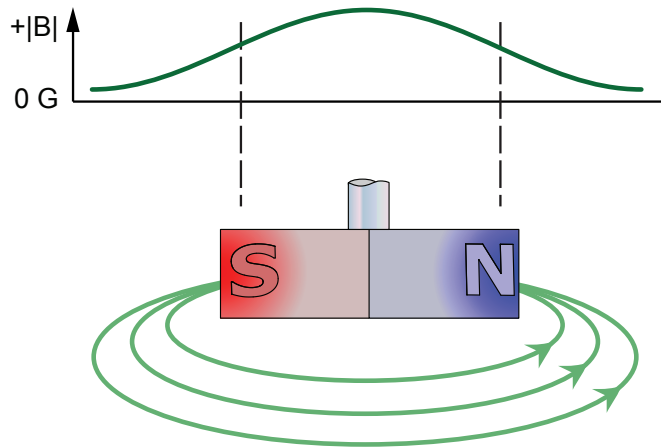


Figure 13: The magnetic field flux lines run between the north pole and south pole of the magnet. The peak flux densities are between the poles.

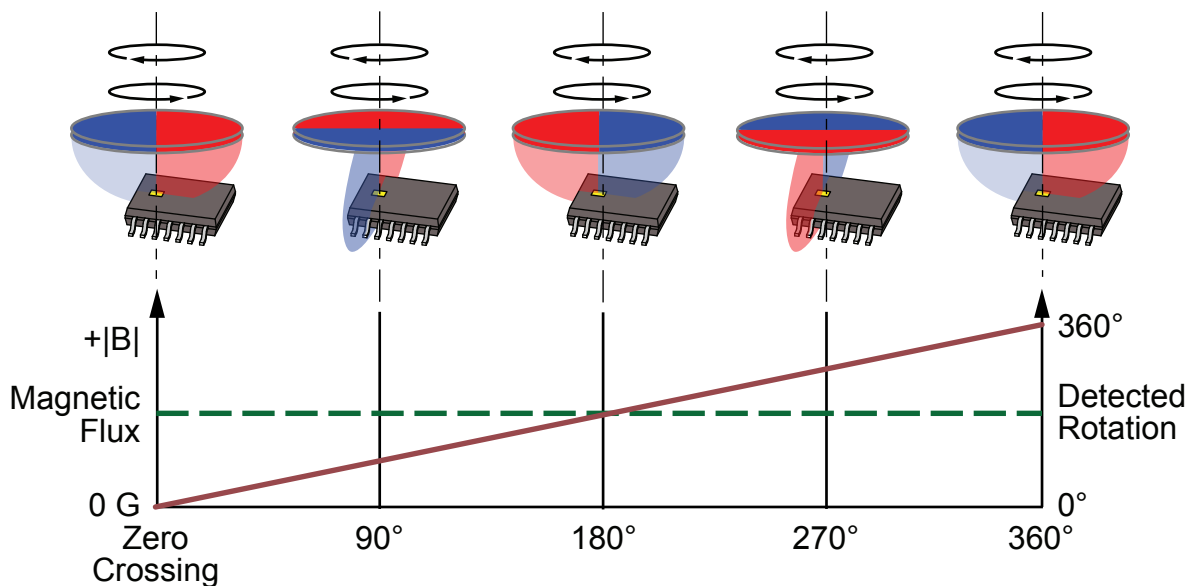


Figure 14: As the magnet rotates, the Hall element detects the rotating relative polarity of the magnetic field (solid line). When the center of rotation is centered on the Hall element, the magnetic flux amplitude is constant (dashed line).

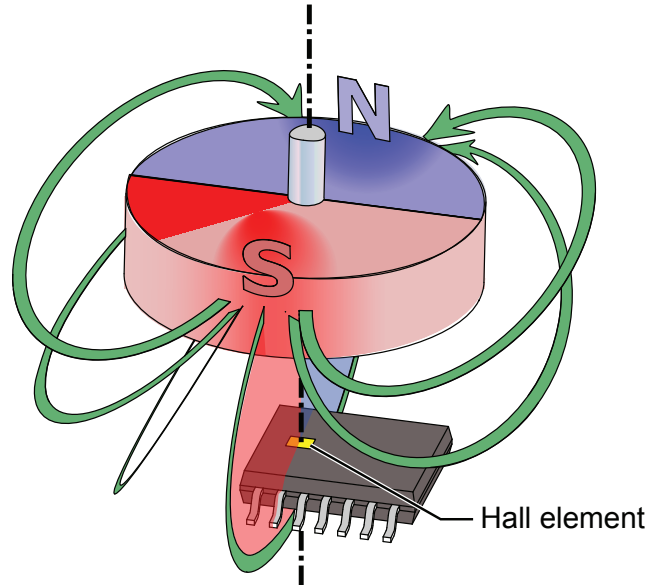


Figure 15: Centering the axis of magnet rotation on the Hall element provides the strongest signal in all degrees of rotation.

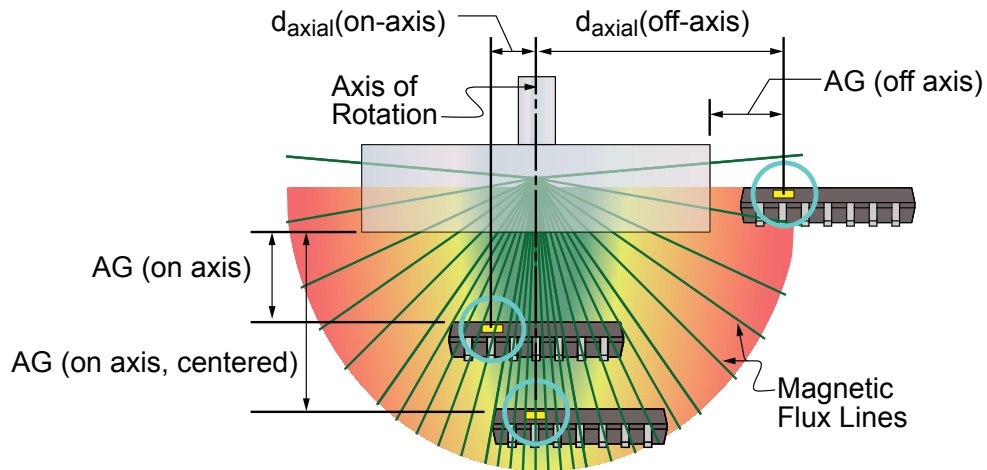


Figure 16: The magnetic flux density degenerates rapidly away from the plane of peak north-south polarity. When the axis of rotation is placed away from the Hall element, the device must be placed closer to the magnetic poles to maintain an adequate level of flux at the Hall element.

Linearization

Magnetic fields are generally not completely linear throughout the full range of target positions. This can be the result of non-uniformities in mechanical motion or of material composition. In some applications, it may be required to apply a mathematical transfer function to the angle that is reported by the A1335.

The A1335 has built-in functions for performing linearization on the acquired angle data. It is capable of performing one of two different linearization methods: harmonic linearization and piecewise (segmented) linearization.

Segmented linearization breaks up the output dynamic range into 16 equal segments. Each segment is then represented by the equation of a straight line between the two endpoints of the segment. Using this basic principle, it is possible to tailor the output response to compensate for mechanical non-linearity.

One example is a fluid level detector in a vehicle fuel tank. Because of requirements to conform the tank and to provide stiffening, fuel tanks often do not have a uniform shape. A level detector with a linear sensor in this application would not correctly indicate the remaining volume of fuel in the tank without some mathematical conversion. Figure 17 graphically illustrates the general concept.

Harmonic linearization uses the Fourier series in order to compensate for periodic error components. In the most basic of terms, the Fourier series is used to represent a periodic signal using a

sum of ideal periodic waveforms. The A1335 is capable of using up to 11 Fourier series components to linearize the output transfer function.

While it can be used for many applications, harmonic linearization is most useful for 360-degree applications. The error curve for a rotating magnet that is not perfectly aligned will most often have an error waveform that is periodic. This is phenomenon is especially true for systems where the sensor is mounted off-axis relative to the magnet. Figure 18 illustrates this periodic error.

An initial set of linearization coefficients is created by characterizing the application experimentally. With all signal processing options configured, the device is used to sense the applied magnetic field at a target zero degrees of rotation reference angle and at regular intervals. For segmented linearization, 16 samples are taken: at nominal zero degrees and every 1/16 interval (22.5°) of the full 360° rotational input range. Each angle is read from the ANG[ANGLE] register and recorded.

These values are loaded into the Allegro ASEK programming utility for the device, or an equivalent customer software program, to generate coefficients corresponding to the values. The user then uses the software load function to transmit the coefficients to the EEPROM. Each of the coefficient values can be individually overwritten during normal operation by writing directly to the corresponding SRAM.

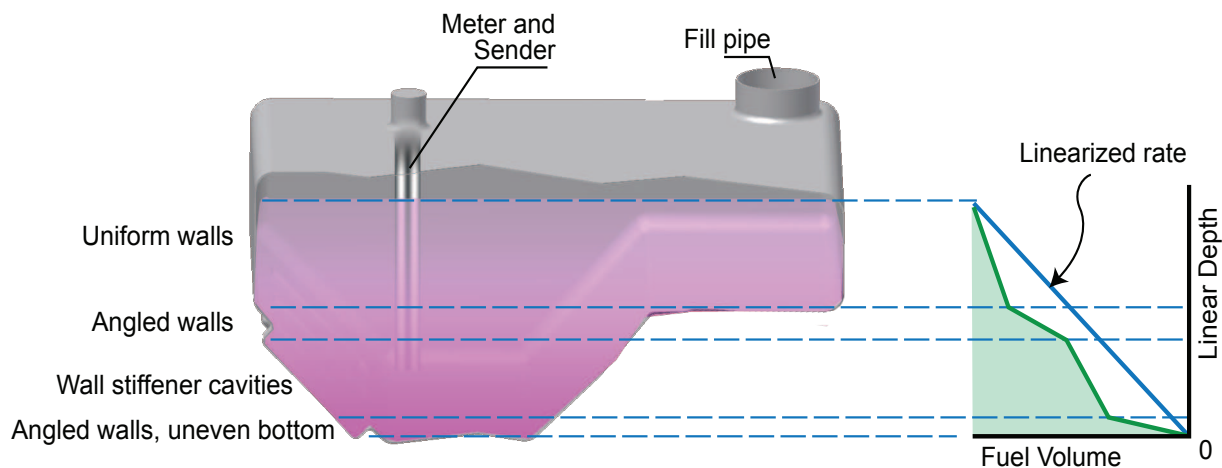


Figure 17: An integrated vehicle fuel tank has varying volumes according to depth due to structural elements. As shown in the chart, this results in a variable rate of fuel level change, depending on volume at the given depth, and a linearized transfer function can be used against the integral volume.

Figure 18: Correction for Eccentric Orientation

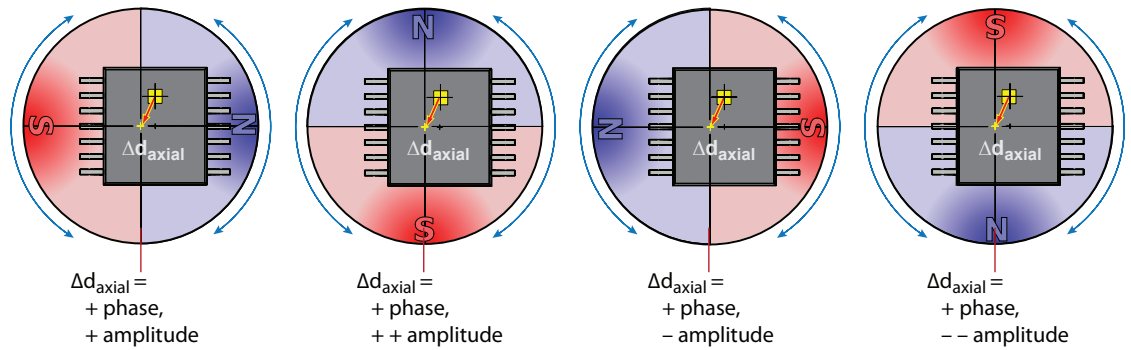


Figure 18a: With the axis of rotation aligned with the Hall element, linearization coefficients are a simple inversion of the input.

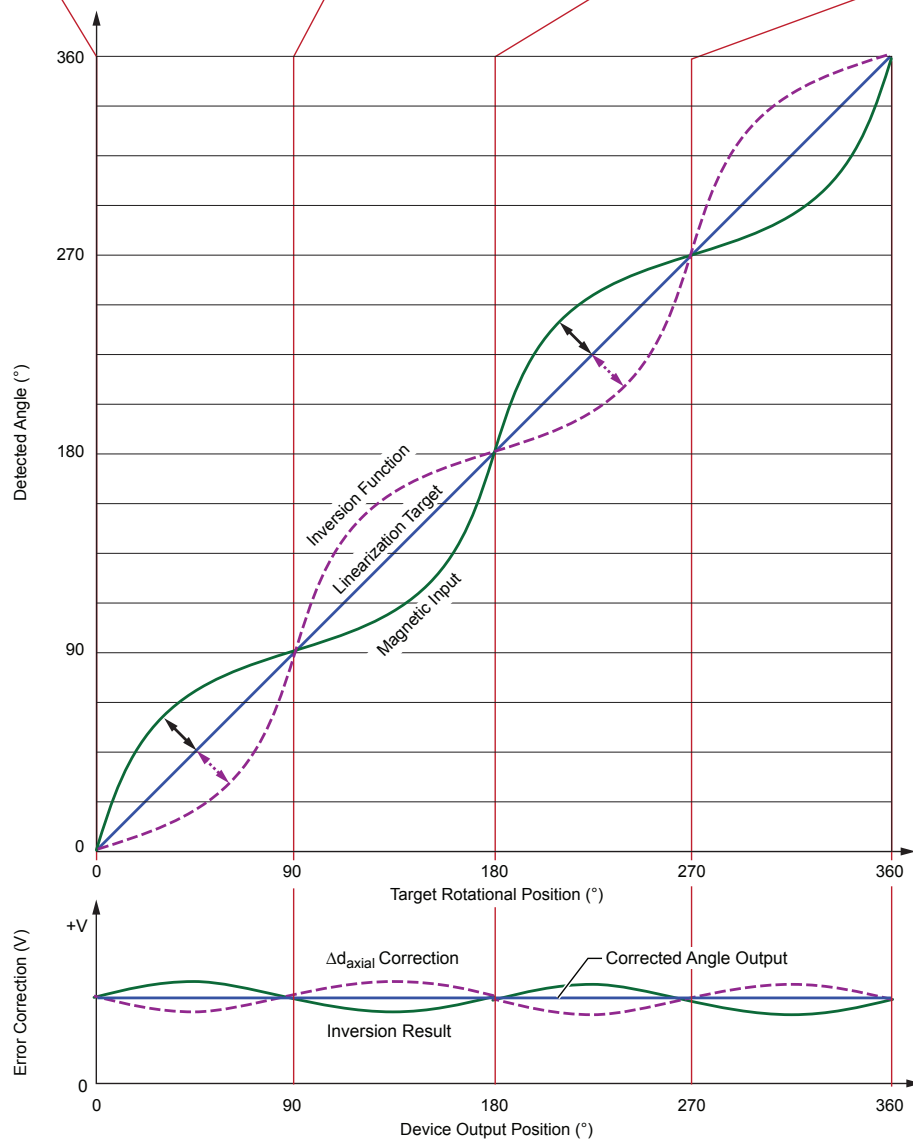


Figure 18b: Any eccentricity is evaluated as an error. Systematic eccentricity can be factored out by appropriate linearization coefficients. For off-axis applications, the harmonic linearization method is recommended.

HARMONIC COEFFICIENTS

The device supports up to 11 harmonics. Each harmonic is characterized by an amplitude and a phase coefficient.

To apply harmonic linearization, the device:

1. Calculates the error factors.
2. Applies any programmed offsets.
3. Calculates the linearization factor as:

$$A_n \times \sin(n \times t + \phi_n)$$

PCB Layout

Bypass and decoupling capacitor should be placed as close as possible to corresponding pins, with low impedance traces. Capacitors should be tied to a low impedance ground plane whenever possible.

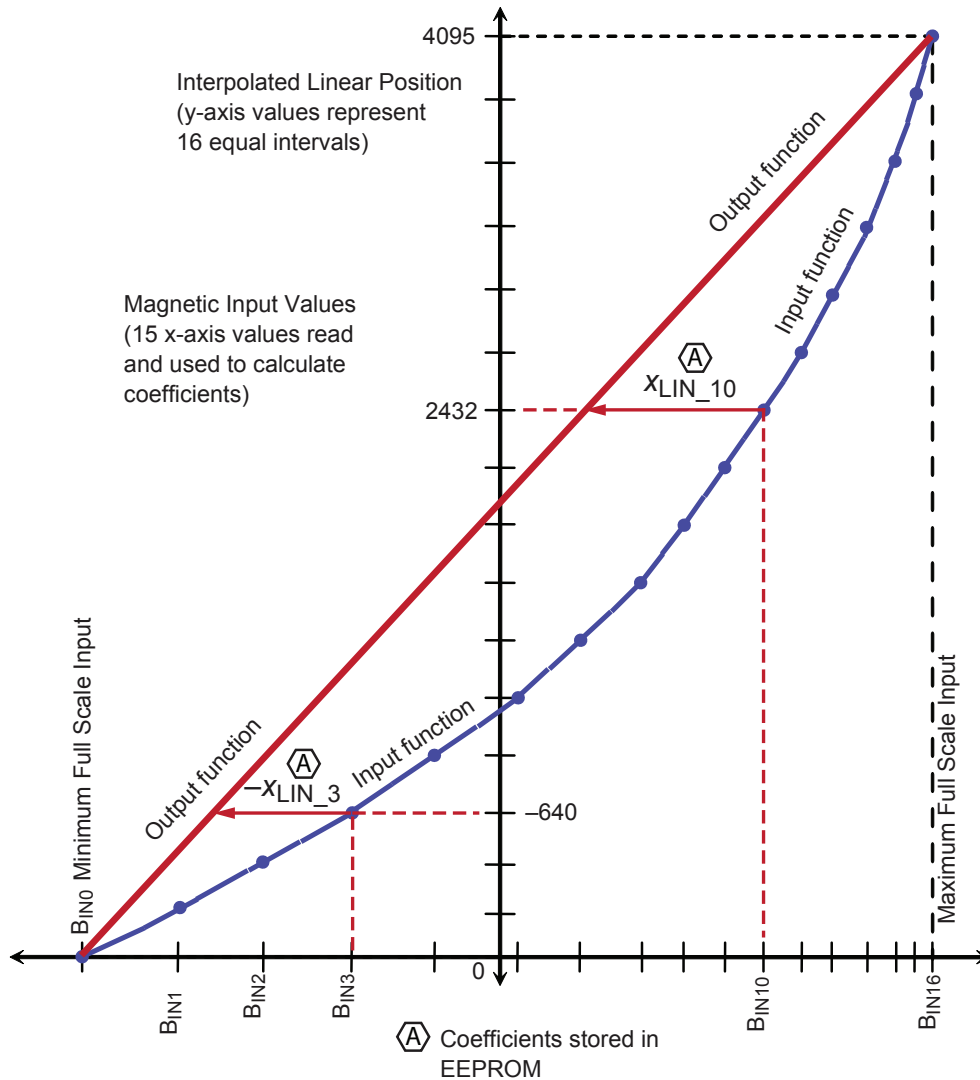


Figure 19: Sample of Linearization Function Transfer Characteristic

TYPICAL PERFORMANCE CHARACTERISTICS

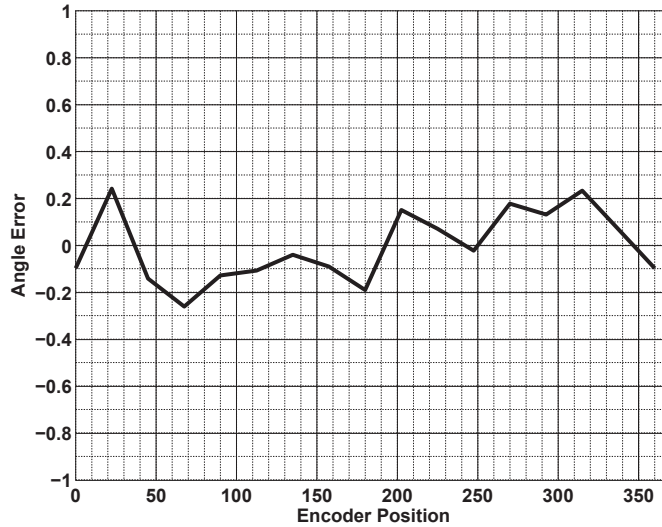


Figure 20: Typical Angle Error versus Encoder Position (300 G, 25°C)

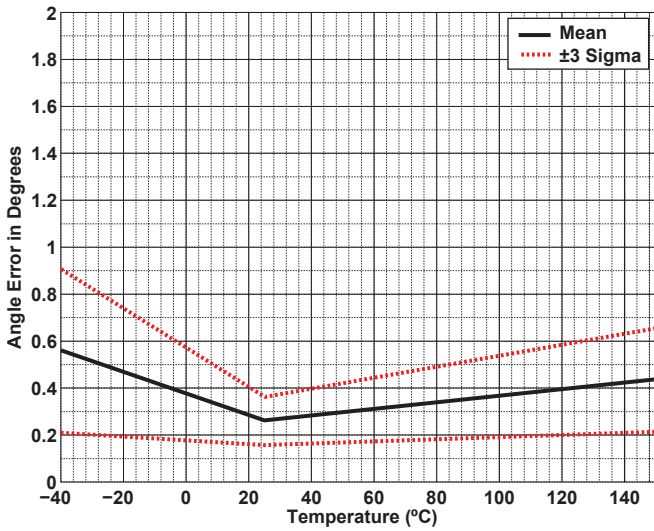


Figure 21: Peak Angle Error over Temperature (300 G)

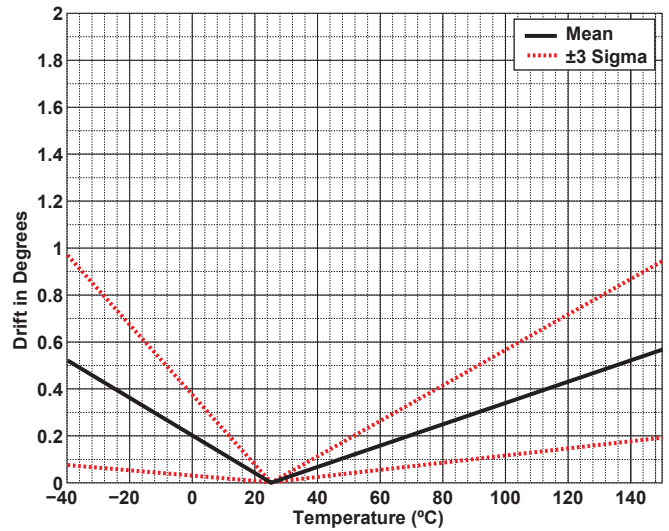


Figure 22: Maximum Absolute Drift from 25°C Reading (300 G)