



Chipsmall Limited consists of a professional team with an average of over 10 year of expertise in the distribution of electronic components. Based in Hongkong, we have already established firm and mutual-benefit business relationships with customers from,Europe,America and south Asia,supplying obsolete and hard-to-find components to meet their specific needs.

With the principle of “Quality Parts,Customers Priority,Honest Operation,and Considerate Service”,our business mainly focus on the distribution of electronic components. Line cards we deal with include Microchip,ALPS,ROHM,Xilinx,Pulse,ON,Everlight and Freescale. Main products comprise IC,Modules,Potentiometer,IC Socket,Relay,Connector.Our parts cover such applications as commercial,industrial, and automotives areas.

We are looking forward to setting up business relationship with you and hope to provide you with the best service and solution. Let us make a better world for our industry!



Contact us

Tel: +86-755-8981 8866 Fax: +86-755-8427 6832

Email & Skype: info@chipsmall.com Web: www.chipsmall.com

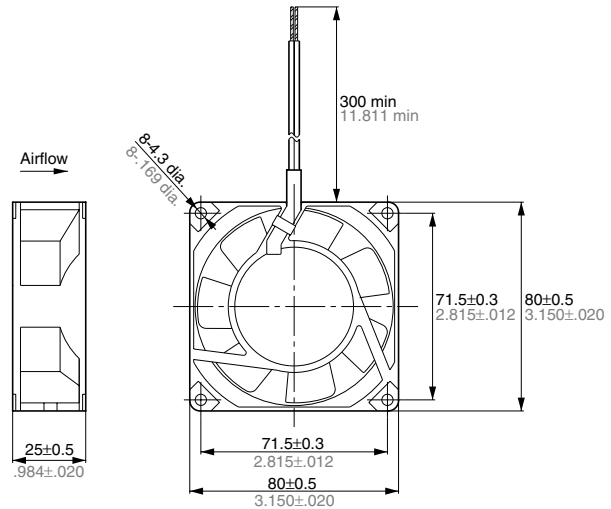
Address: A1208, Overseas Decoration Building, #122 Zhenhua RD., Futian, Shenzhen, China



NEW



DIMENSIONS (mm inch)



RoHS Directive compatibility information
<http://www.nais-e.com/>

RATING

Lead wire type, Standard speed

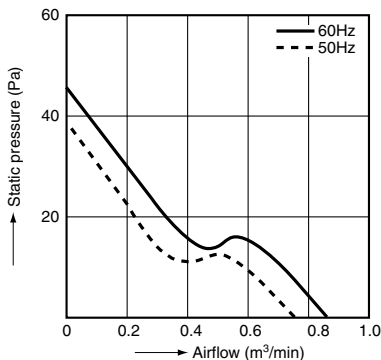
Part number	Rated voltage (V)	Frequency (Hz)	Input power, $\pm 10\%$ (W)	Rated current*1 (mA)	Locked current*3 (mA)	Rotation speed*2 (r/min)	Max. air flow*2 (m ³ /min)	Max. static pressure*2 (Pa)	Noise*3 (dB(A))	Operating voltage range (V) (%)	Weight (kg)
ASEN80211	100	50/60	6/5	90/80	95/85	2400/2750	0.74/0.85	37.5/43	28/33 (29/34)	±10	0.22
ASEN80212	115			80/70	85/75						

*1: Designates maximum values, *2: Designates minimum values, *3: Designates average values

Notes: 1. Values above without designations are averages.

2. Noise level was measured at a distance of 1 m from side of fan. Values in brackets were measured at a distance of 1 m from front of fan.

DATA (Airflow - Static pressure Characteristic Curve)



MATERIALS USED

Frame: aluminum alloy die-casting
 Propeller: plastic
 Bearings: ball bearings
 Lead wires: UL3266 and AWG22

Label: 100 V class...black base

SPECIFICATIONS

Ambient temperature	-10°C to +60°C +14°F to +140°F	
Ambient humidity	15 to 85%RH	
Storage temperature	-20°C to +70°C -4°F to +158°F	
Breakdown voltage	1,500 V AC for 1 min. (between charging section and frame)	
Insulation resistance	Min. 100MΩ (at 500 V DC megger)(between charging section and frame)	
Insulation class	UL:A class, CSA:B class	
Vibration resistance	Frequency	10 to 55Hz
	Double amplitude width	0.75mm
	Applied direction	X, Y and Z directions
	Applied time	10 min. in each direction
Protection	Impedance protected	
Mean life	MTTF: 50,000 hrs. (Time it takes until rotation frequency drops 30% of initial value when run continuously under 25°C 77°F and room humidity at the nominal voltage.)	